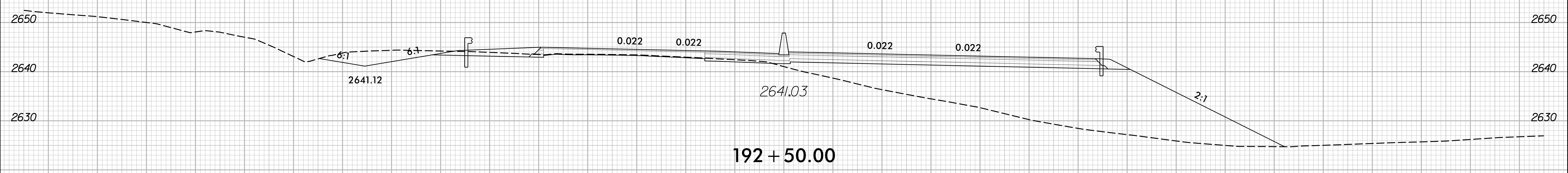
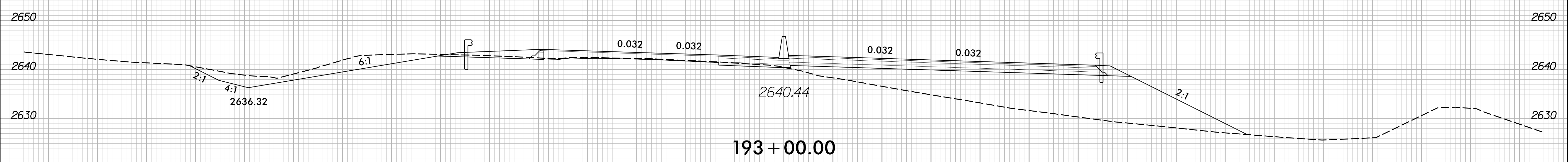
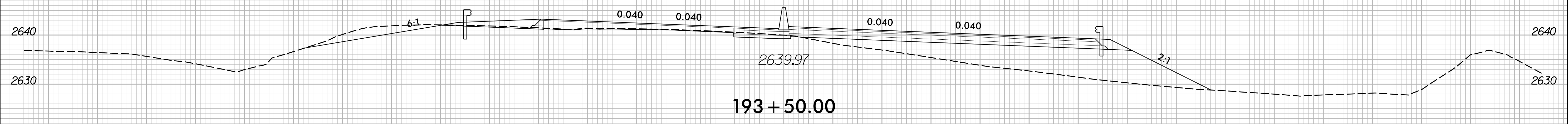
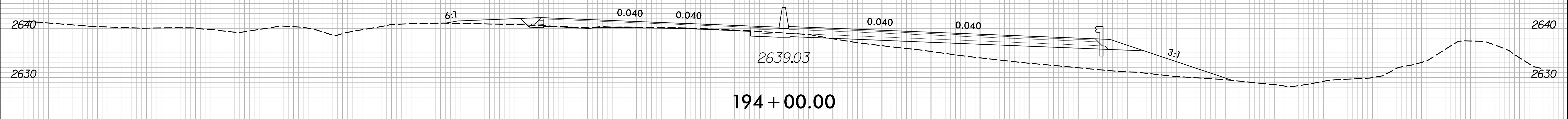
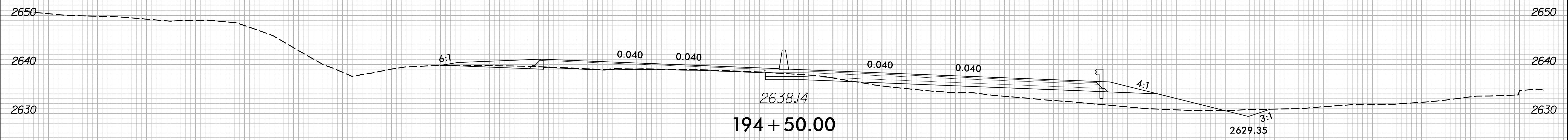


8/23/99



PROJ. REFERENCE NO.	SHEET NO.
HB-0003	X-13

150 140 130 120 110 100 90 80 70 60 50 40 30 20 10 0 10 20 30 40 50 60 70 80 90 100 110 120 130 140 150



150 140 130 120 110 100 90 80 70 60 50 40 30 20 10 0 10 20 30 40 50 60 70 80 90 100 110 120 130 140 150

4/25/2024
1:5:13:00
1:5:13:00