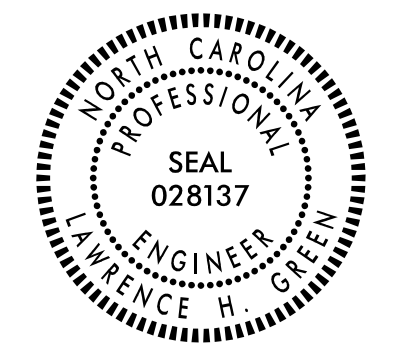
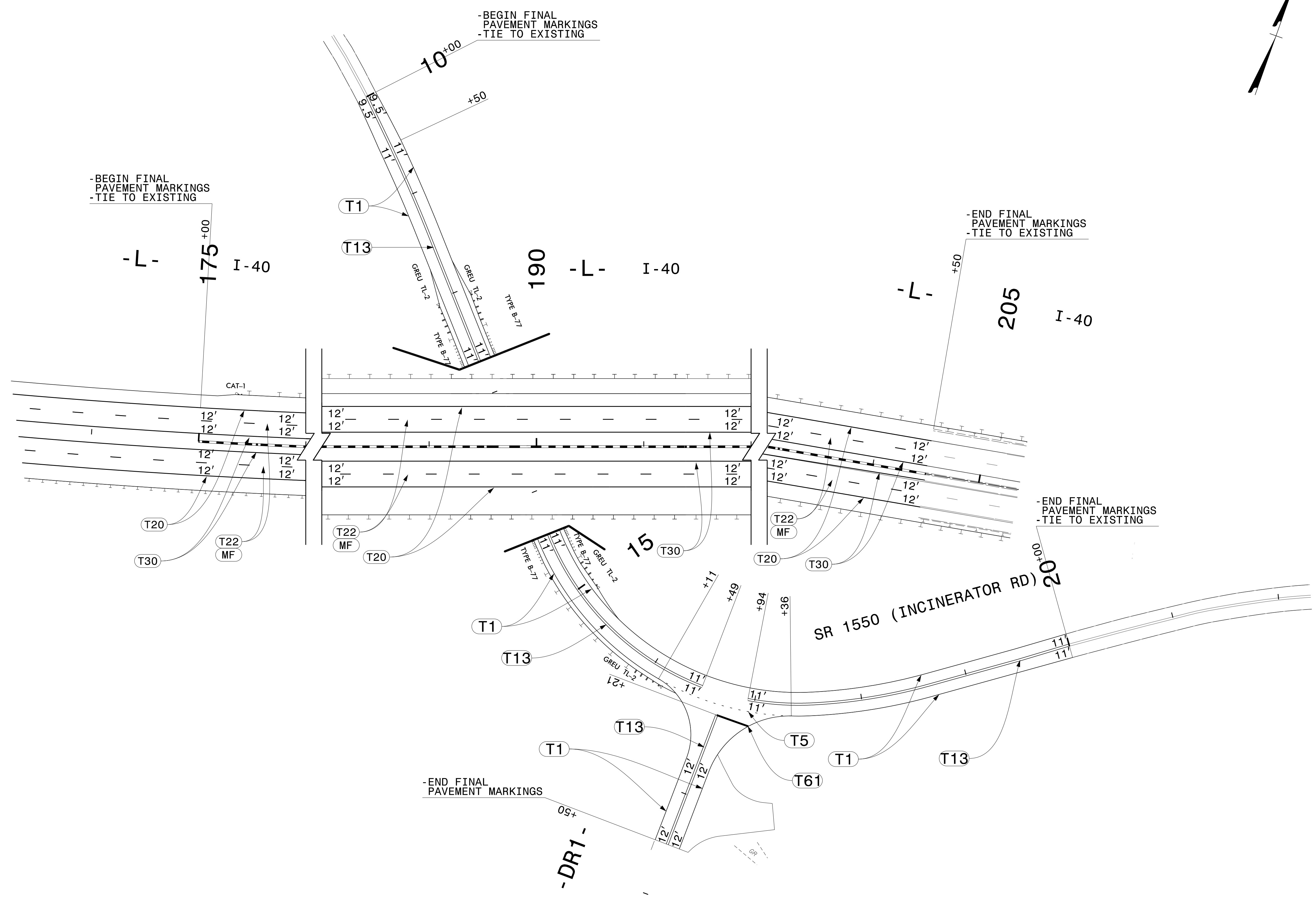
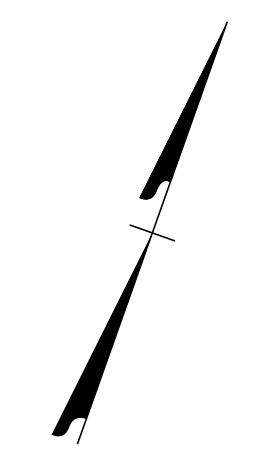
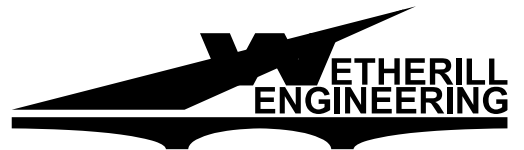


TIP NO. HB-0003	SHEET NO. PMP-02
APPROVED: <i>Laura K. Green</i> 4/8/2024	
DATE: 4/8/2024	
SEAL 	
DOCUMENT NOT CONSIDERED FINAL UNLESS ALL SIGNATURES COMPLETED	



4/5/2024
P:\2023\23128.01_HB-0003\Traffic\Design\Pre-Let\Plan\Pavement Markings\HB-0003_PMP_02.dgn
User: Ahayes



1223 Jones Franklin Rd.
Raleigh, N.C. 27606
License No. F-0377
Bus: 919 851 8077
Fax: 919 851 8107

TRANSPORTATION PLANNING/DESIGN - BRIDGE/STRUCTURE DESIGN
CIVIL/SITE DESIGN - GIS/GPS - CONSTRUCTION OBSERVATION

PAVEMENT MARKING DETAIL