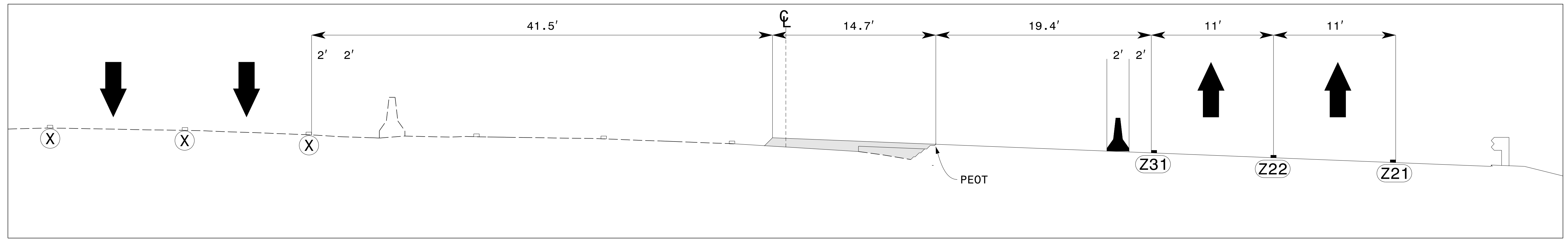
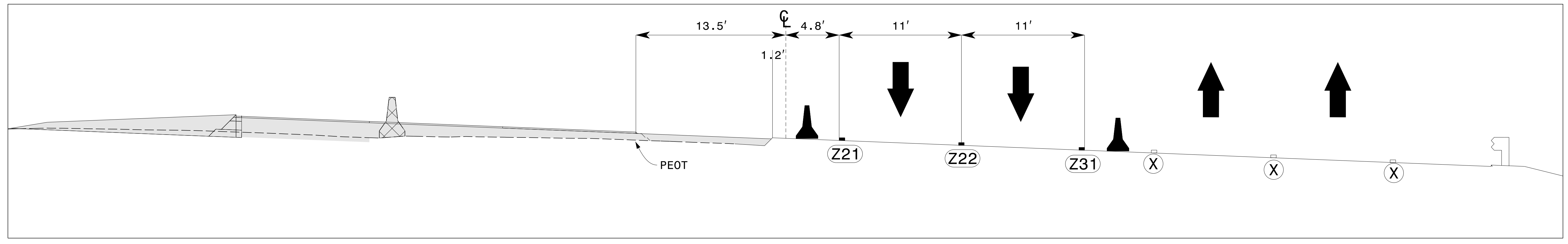


G1
06 | 28
STA. 194+50 -L-
CUT SECTION



G2
10 | 28
STA. 194+50 -L-
CUT SECTION



G3
14 | 28
STA. 194+50 -L-
CUT SECTION

NOTES:
1) PEOT = PROPOSED EDGE OF TRAVEL
PTOC = PROPOSED TOP OF CROWN

4/5/2024 P:\2023\23128.01\HB-0003\Traffic Design\Pre-Let\Plan\WZTC\HB-0003_TMP_28_TCS_G.dgn User:AHayes

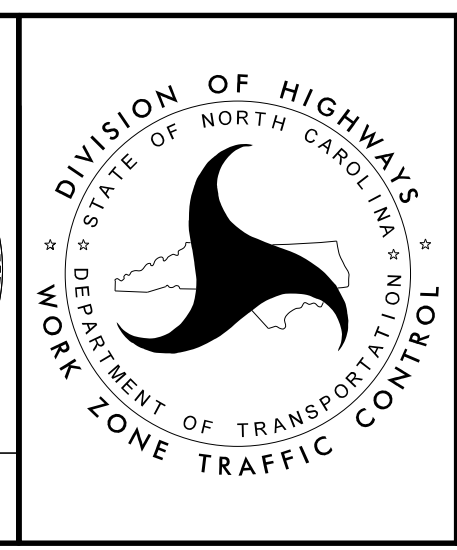
ETHERILL ENGINEERING
1223 Jones Franklin Rd.
Raleigh, N.C. 27606
License No. F-0377
Bus: 919 851 8077
Fax: 919 851 8107

TRANSPORTATION PLANNING/DESIGN - BRIDGE/STRUCTURE DESIGN
CIVIL/SITE DESIGN - GIS/GPS - CONSTRUCTION OBSERVATION

APPROVED: *Laurence H. Green*
48087388880488
DATE: 4/8/2024

SEAL
028137
LAWRENCE H. GREEN
ENGINEER

**DOCUMENT NOT CONSIDERED FINAL
UNLESS ALL SIGNATURES COMPLETED**



TEMPORARY CUT SECTION G