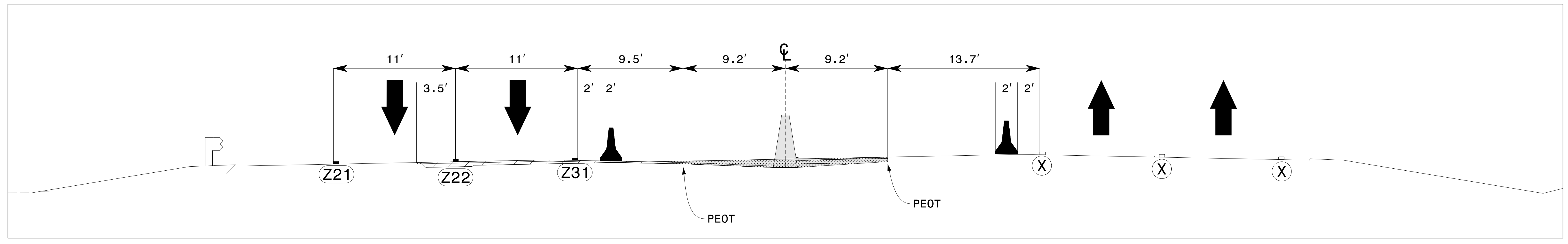


A3
13 | 21
STA. 179+00 -L-
CUT SECTION



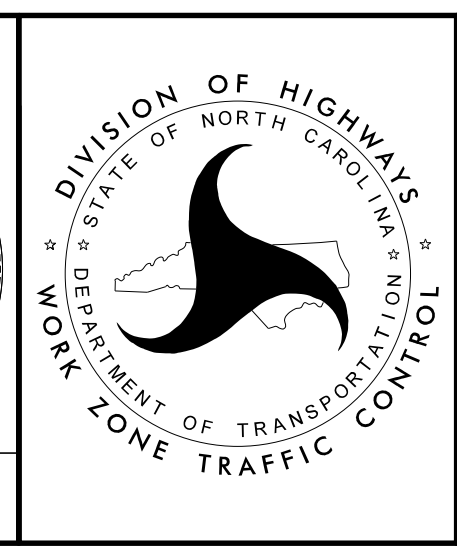
A4
17 | 21
STA. 179+00 -L-
CUT SECTION

4/5/2024 P:\2023\23128.01\HB-0003\Traffic Design\Pre-Let\Plan\WZTC\HB-0003_TMP_21\TCS_A2.dgn User:AHayes

NOTES:
1) PEOT = PROPOSED EDGE OF TRAVEL
PTOC = PROPOSED TOP OF CROWN

WETHERILL ENGINEERING
1223 Jones Franklin Rd.
Raleigh, N.C. 27606
License No. F-0377
Bus: 919 851 8077
Fax: 919 851 8107
TRANSPORTATION PLANNING/DESIGN - BRIDGE/STRUCTURE DESIGN
CIVIL/SITE DESIGN - GIS/GPS - CONSTRUCTION OBSERVATION

APPROVED: *Lawrence H. Green*
480708988C488
DATE: 4/8/2024
SEAL
NORTH CAROLINA PROFESSIONAL ENGINEER
LAWRENCE H. GREEN
028137
**DOCUMENT NOT CONSIDERED FINAL
UNLESS ALL SIGNATURES COMPLETED**



TEMPORARY CUT SECTION A