
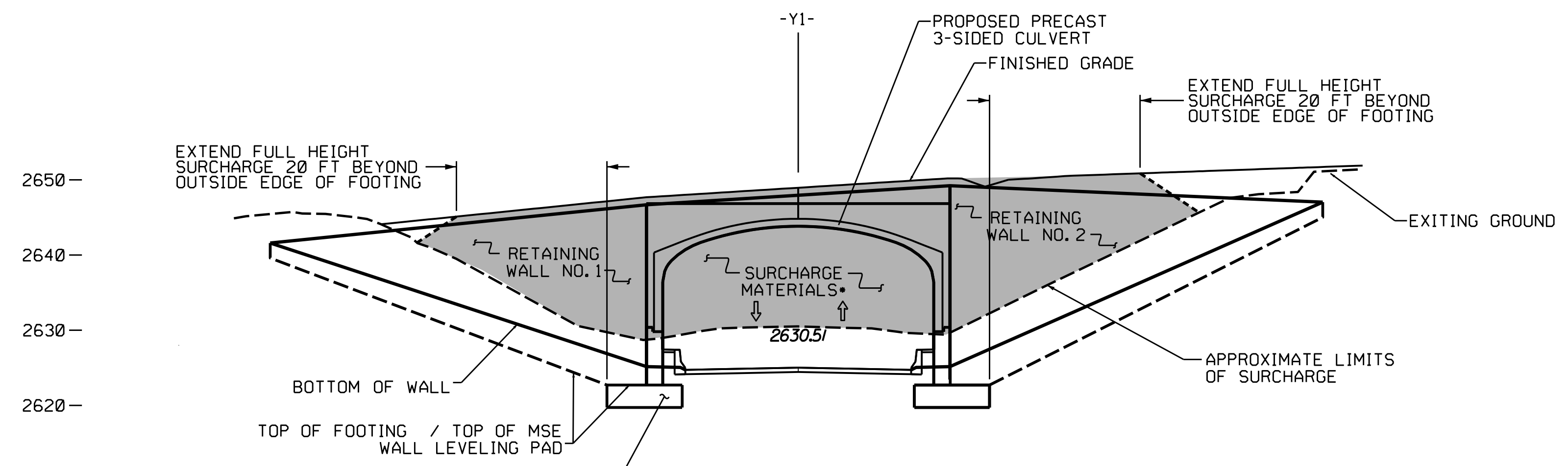
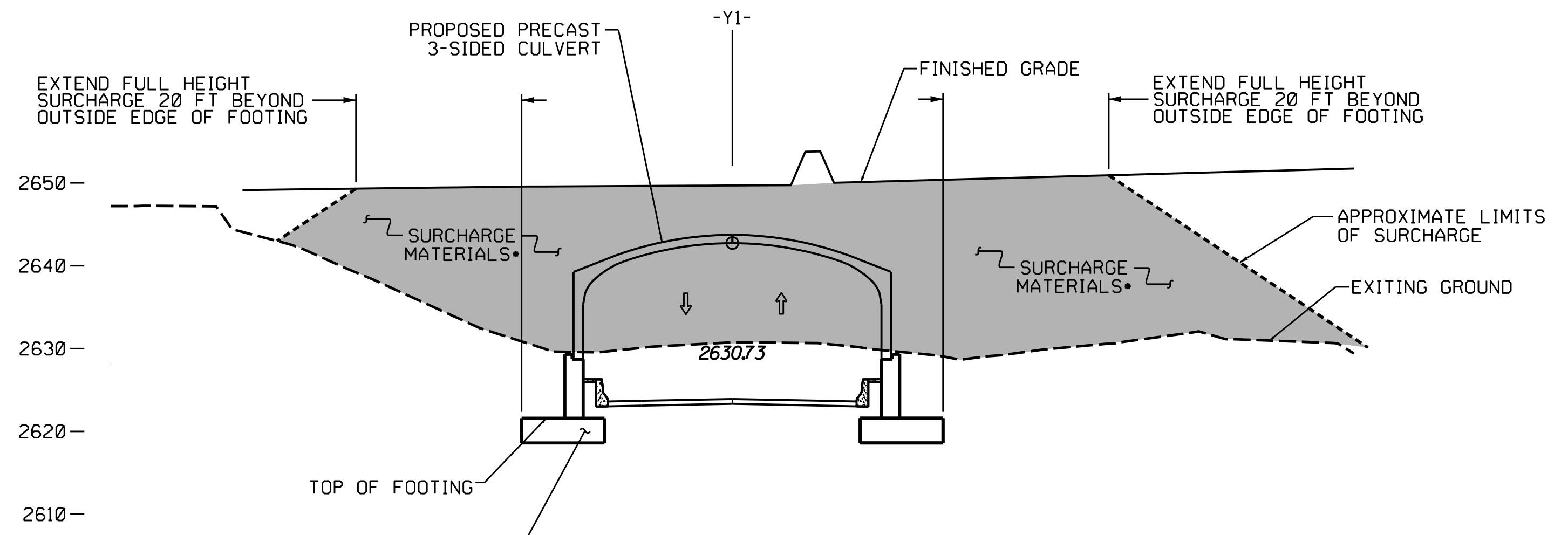


PROJECT REFERENCE NO. HB-0003	SHEET NO. 2G-4
GEOTECHNICAL ENGINEER  Shipping Yang 05/06/2024	ENGINEER
DOCUMENT NOT CONSIDERED FINAL UNLESS ALL SIGNATURES COMPLETED	



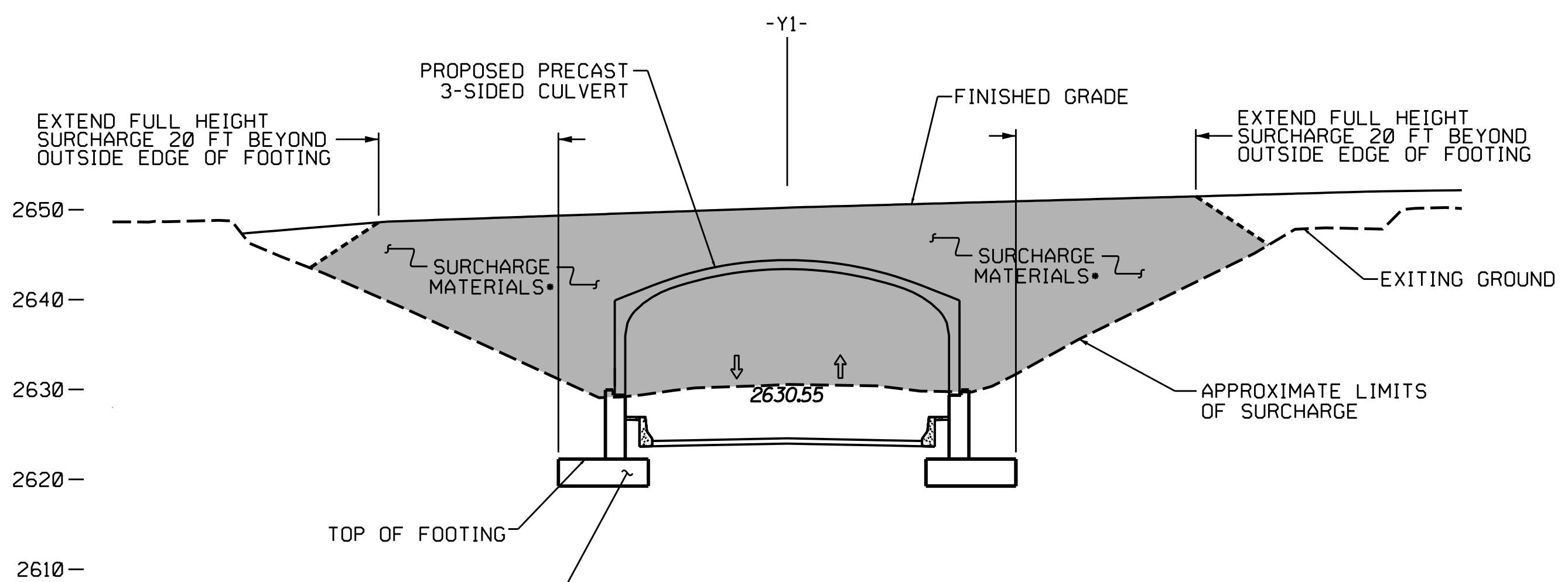
**CULVERT ENTRANCE
SECTION @ STATION 12+68 -Y1-**

• FOR SURCHARGE SEE STANDARD SPECIFICATION SECTION 235 EMBANKMENTS
 ■ INDICATES ESTIMATED LIMITS ON SURCHARGE



SECTION @ STATION 13+50 -Y1-

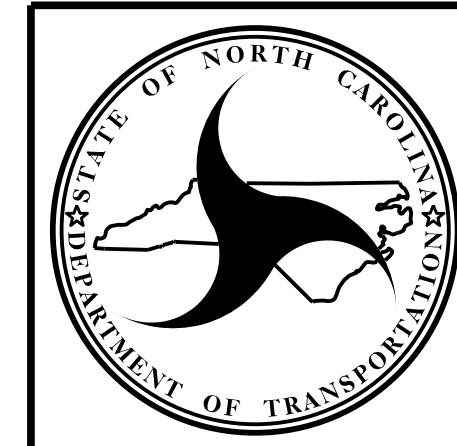
• FOR SURCHARGE SEE STANDARD SPECIFICATION SECTION 235 EMBANKMENTS
 ■ INDICATES ESTIMATED LIMITS ON SURCHARGE



SECTION @ STATION 13+00 -Y1-

• FOR SURCHARGE SEE STANDARD SPECIFICATION SECTION 235 EMBANKMENTS
 ■ INDICATES ESTIMATED LIMITS ON SURCHARGE

PREPARED BY: MHS	DATE: 12/23
REVIEWED BY: SY/SCC	DATE: 12/23



NORTH CAROLINA
DEPARTMENT OF TRANSPORTATION
DIVISION OF HIGHWAYS

**GEOTECHNICAL
ENGINEERING UNIT**

SURCHARGE
CROSS SECTIONS

REVISIONS					
NO.	BY	DATE	NO.	BY	DATE
1			3		
2			4		