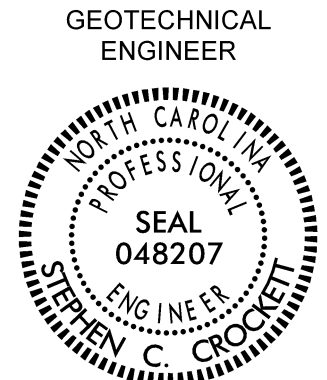
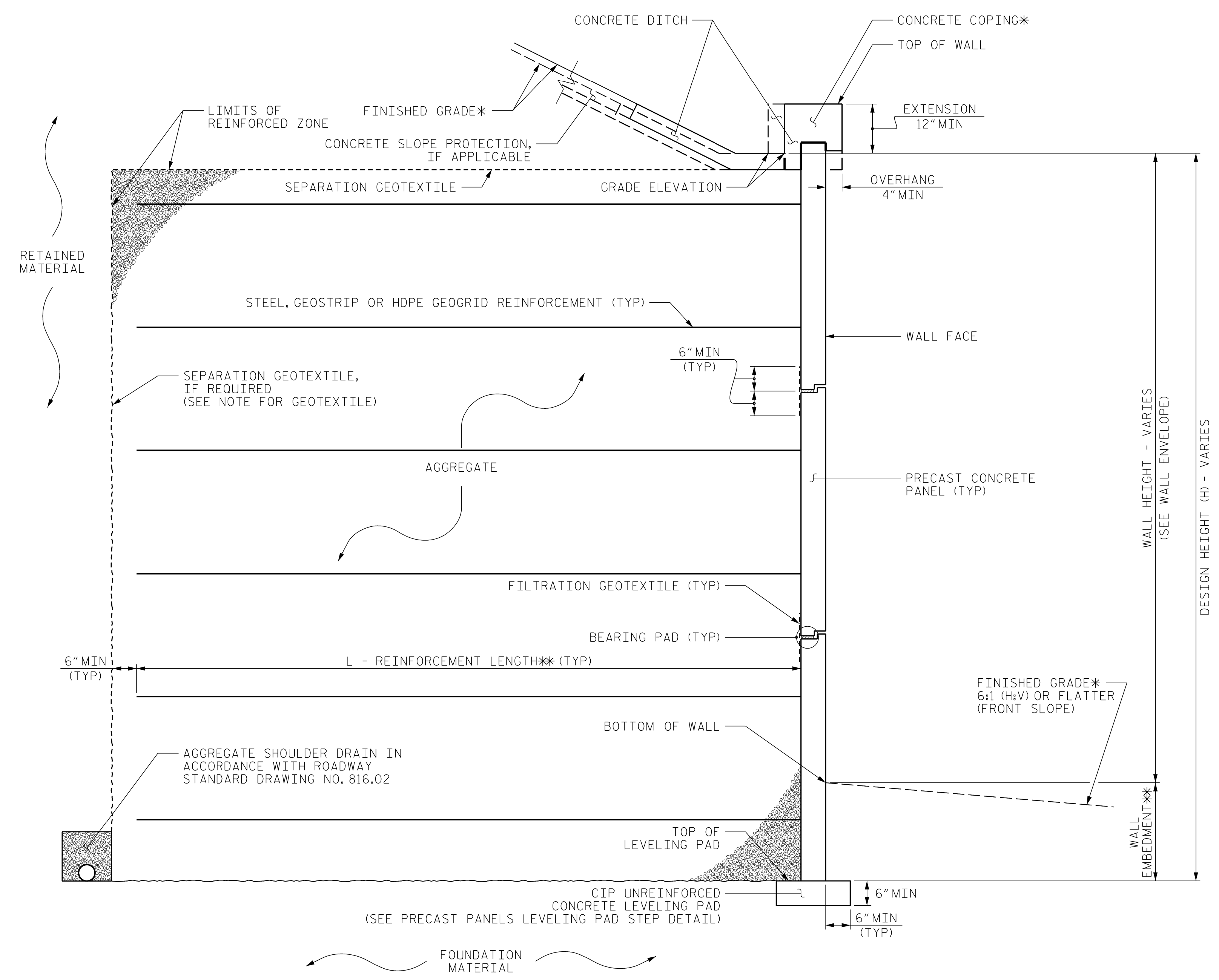
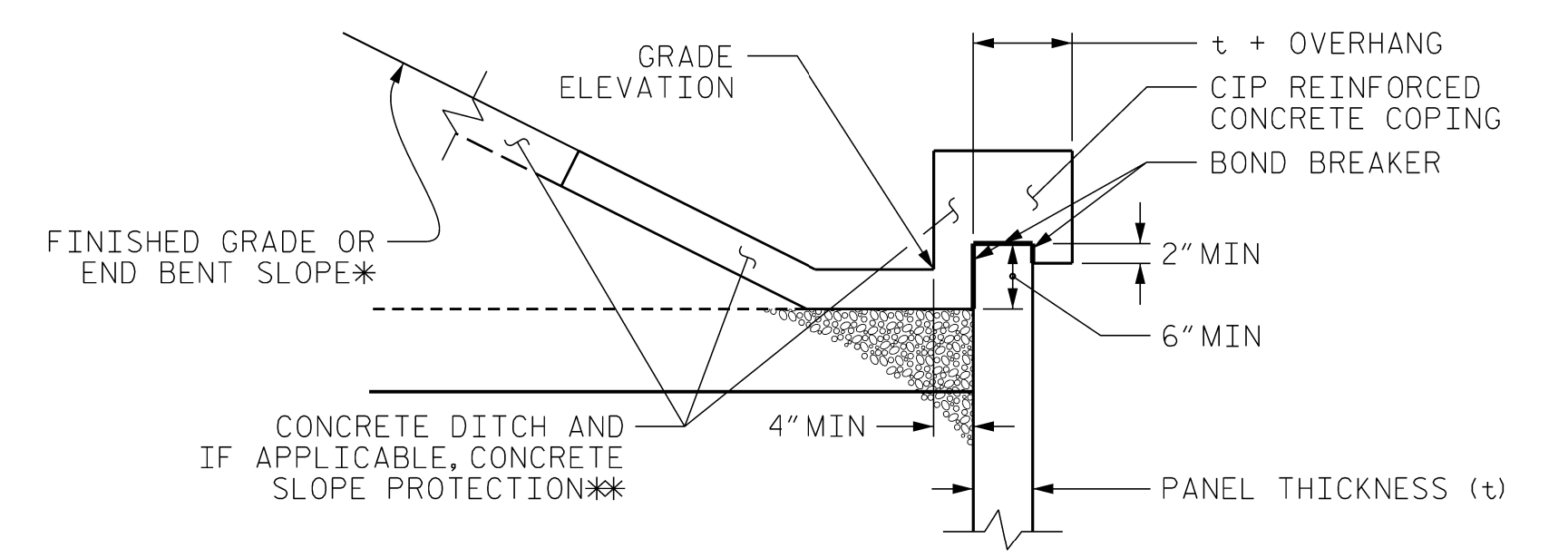


GEOTECHNICAL ENGINEER  SEAL 048207 ENGINEER STEPHEN C. CROCKETT	ENGINEER _____ DATE
DocuSigned by: Stephen Crockett CS-CASPE048207 5/14/2024	
DOCUMENT NOT CONSIDERED FINAL UNLESS ALL SIGNATURES COMPLETED	



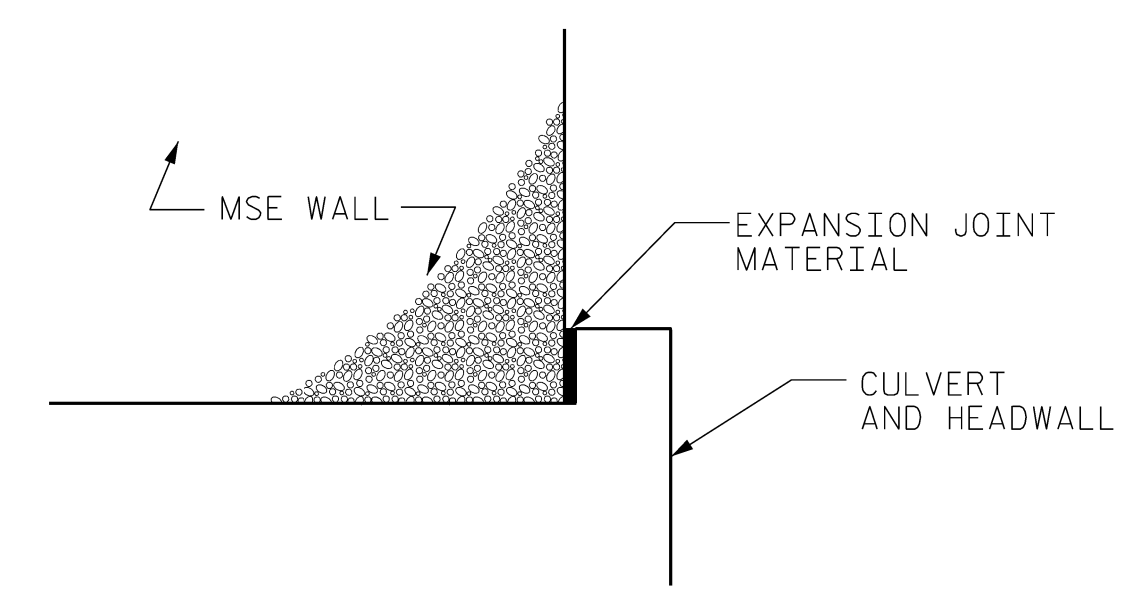
MSE WALL WITH PRECAST PANELS - TYPICAL SECTION

*SEE COPING DETAILS AND PLANS FOR FINISHED GRADE DETAILS.
 **SEE MSE RETAINING WALLS PROVISION AND IF APPLICABLE, MSE WALL NOTES FOR WALL EMBEDMENT AND REINFORCEMENT LENGTH REQUIREMENTS.



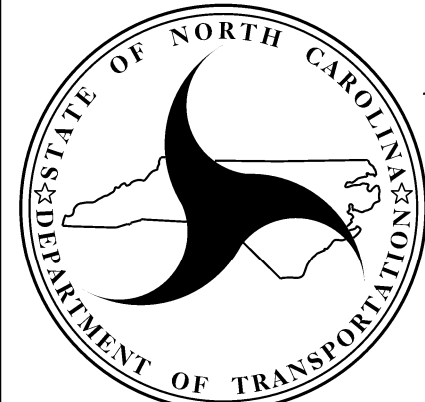
COPING DETAILS

*SEE PLANS FOR FINISHED GRADE OR END BENT SLOPE DETAILS.
 **SEE CONCRETE DITCH BEHIND WALL DETAILS.



CULVERT DETAIL

PROJECT NO.: I-2513AA/AB
 BUNCOMBE COUNTY
 STATION: -RPC- 23+68.60 TO 29+85.00
 SHEET 4 OF 11 WALL ID W1002



**NORTH CAROLINA
DEPARTMENT OF TRANSPORTATION
DIVISION OF HIGHWAYS**

**GEOTECHNICAL
ENGINEERING UNIT**

REVISIONS						SHEET NO. W-4
NO.	BY	DATE	NO.	BY	DATE	
1			3			
2			4			

PREPARED BY: S. CROCKETT	DATE: 9/5/23
REVIEWED BY: J. HAMM	DATE: 9/7/23