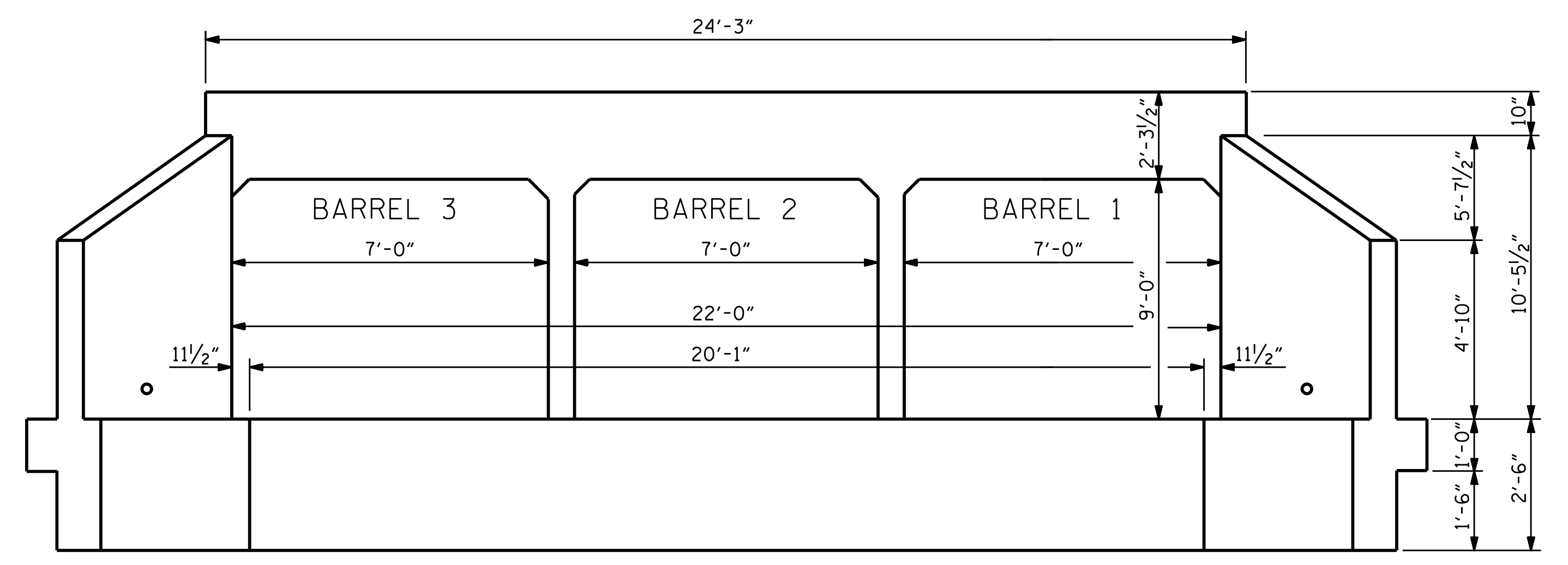
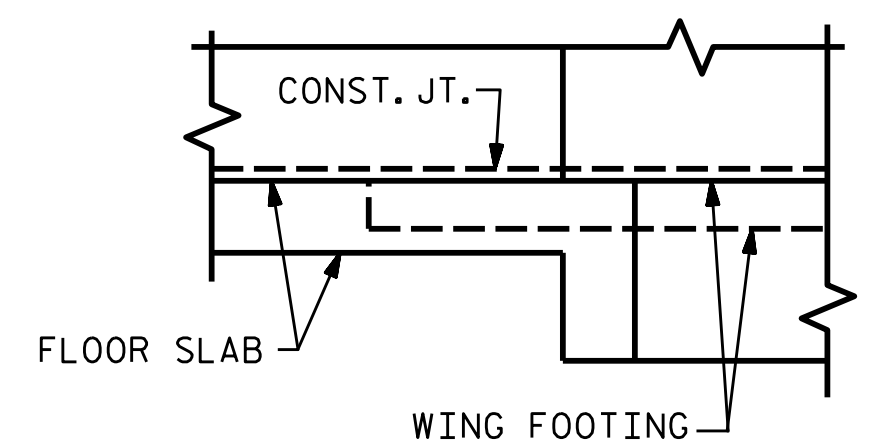
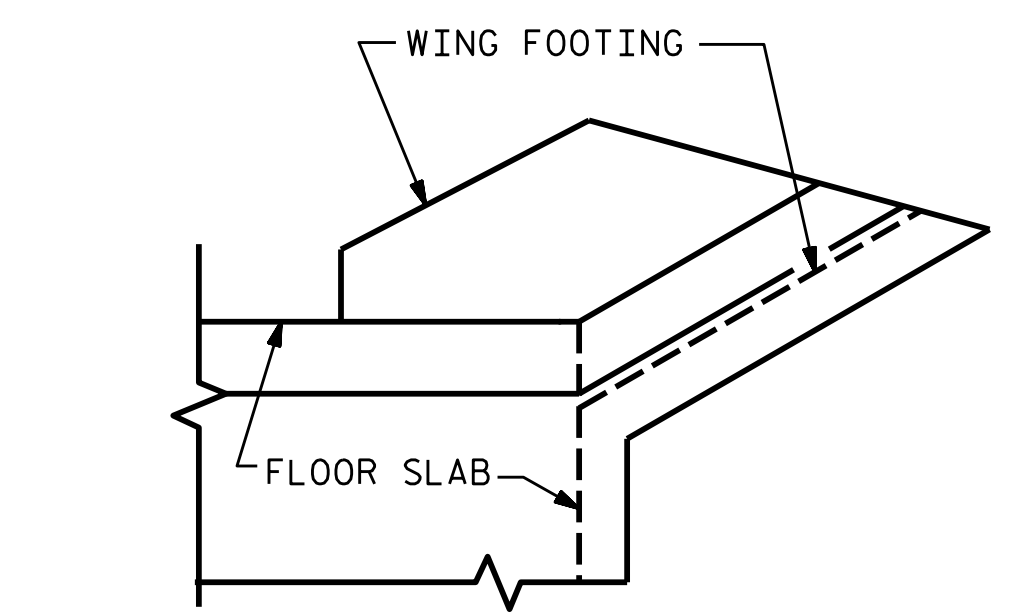


CULVERT SECTION NORMAL TO -Y-



END ELEVATION



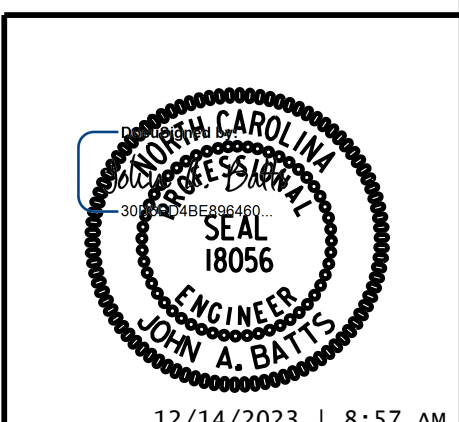
DETAIL
CONNECTION OF WING FOOTING AND FLOOR SLAB WHEN SLAB IS THICKER THAN FOOTING

PROJECT NO. I-2513AA/AB
BUNCOMBE COUNTY
 STATION: 59+50.00 -Y-

SHEET 2 OF 7

STATE OF NORTH CAROLINA
 DEPARTMENT OF TRANSPORTATION
 RALEIGH

TRIPLE 7 FT. X 9 FT. CONCRETE BOX CULVERT



12/14/2023 11:20:25 AM c:\pwworking\oecom_gs21_na_2020\d0131607\I-2513AA_SMU_CU2_100320.dgn

DRAWN BY :	S.D. COOPER	DATE :	5-23
CHECKED BY :	J.A. BATTS	DATE :	5-23
DESIGN ENGINEER OF RECORD:	J.A. BATTS	DATE :	5-23

LICENSURE NO. C-4434					
12/14/2023 8:57 AM					
DOCUMENT NOT CONSIDERED FINAL UNLESS ALL SIGNATURES COMPLETED					

REVISIONS						SHEET NO.
NO.	BY:	DATE:	NO.	BY:	DATE:	C1-2
1			3			TOTAL SHEETS
2			4			7