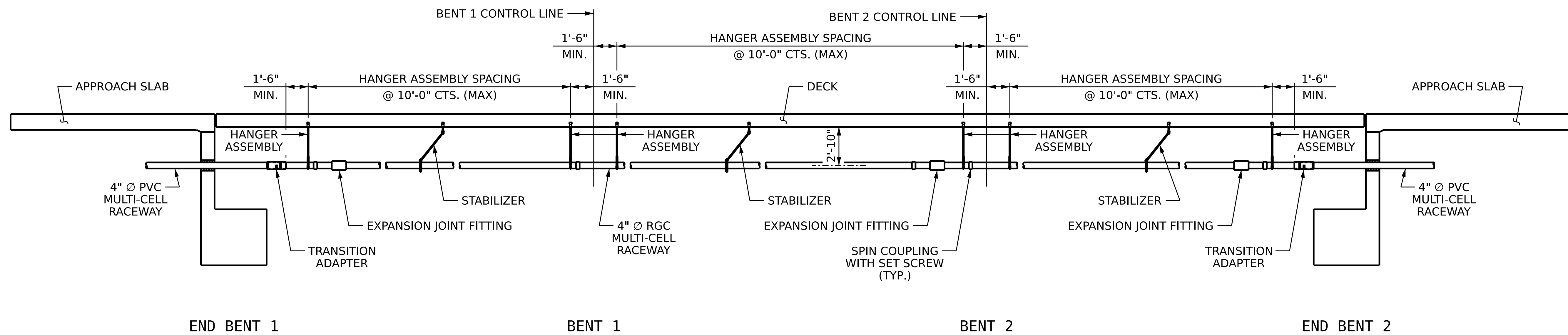
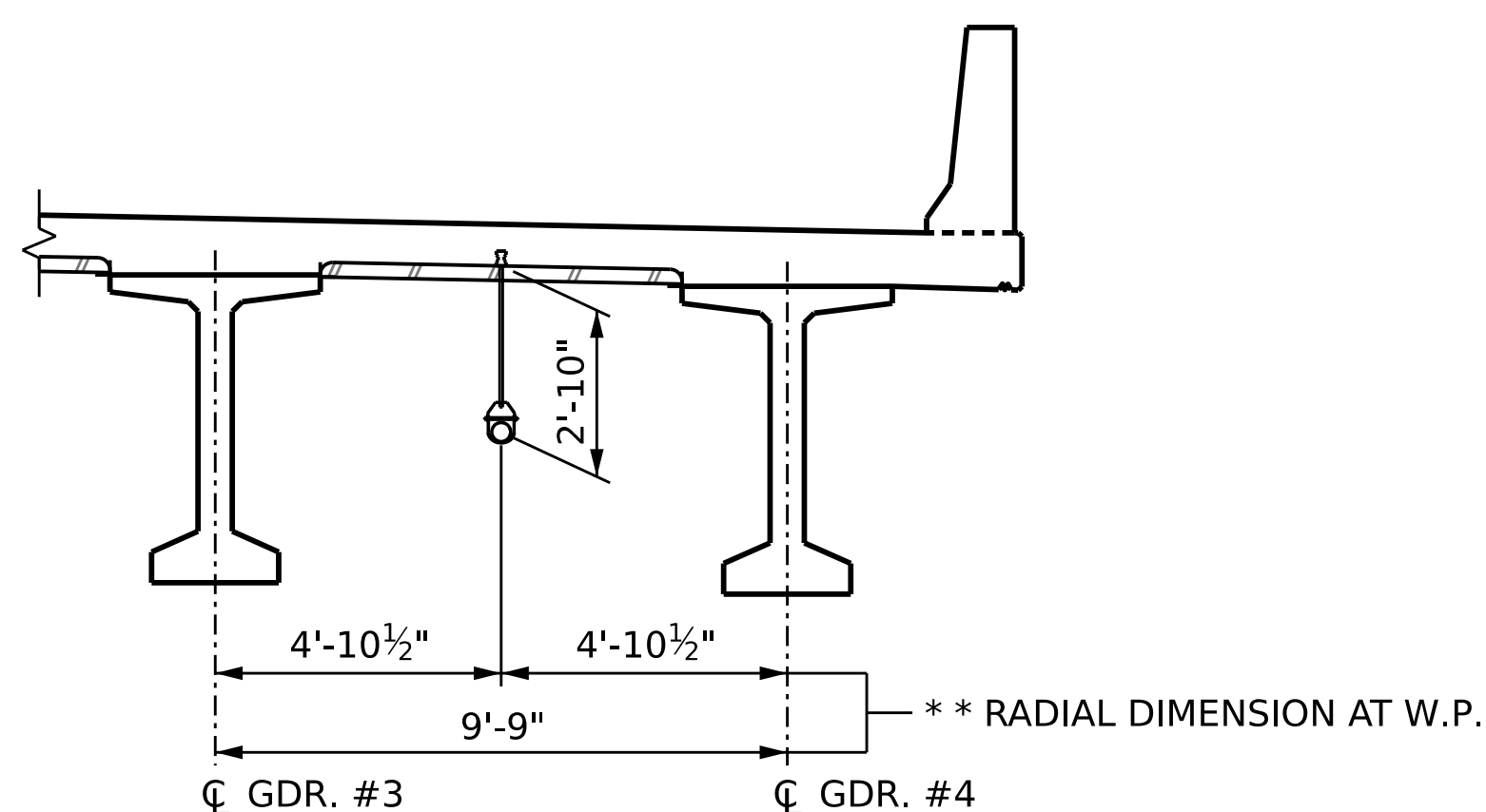


ELECTRIC CONDUIT LAYOUT



ELEVATION



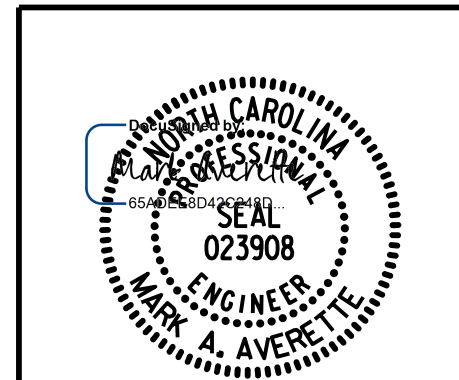
CONDUIT LOCATION

PROJECT NO. I-2513AA/AB
BUNCOMBE COUNTY
 STATION: 20+16.70 -Y5RPA-

SHEET 1 OF 2

STATE OF NORTH CAROLINA
 DEPARTMENT OF TRANSPORTATION
 RALEIGH

ELECTRICAL CONDUIT SYSTEM DETAILS



REVISIONS						SHEET NO.
NO.	BY:	DATE:	NO.	BY:	DATE:	5-44
1			3			TOTAL SHEETS
2			4			49

DOCUMENT NOT CONSIDERED FINAL UNLESS ALL SIGNATURES COMPLETED

12/21/2023 1:50:08 PM c:\pwworking\cecom_ds21_na_2020\d0252774\I2513AA_SMU_UTL1100902.dgn

DRAWN BY : T. BANKOVICH DATE : 12-23
 CHECKED BY : M.A. AVERETTE DATE : 12-23
 DESIGN ENGINEER OF RECORD: M.A. AVERETTE DATE : 12-23