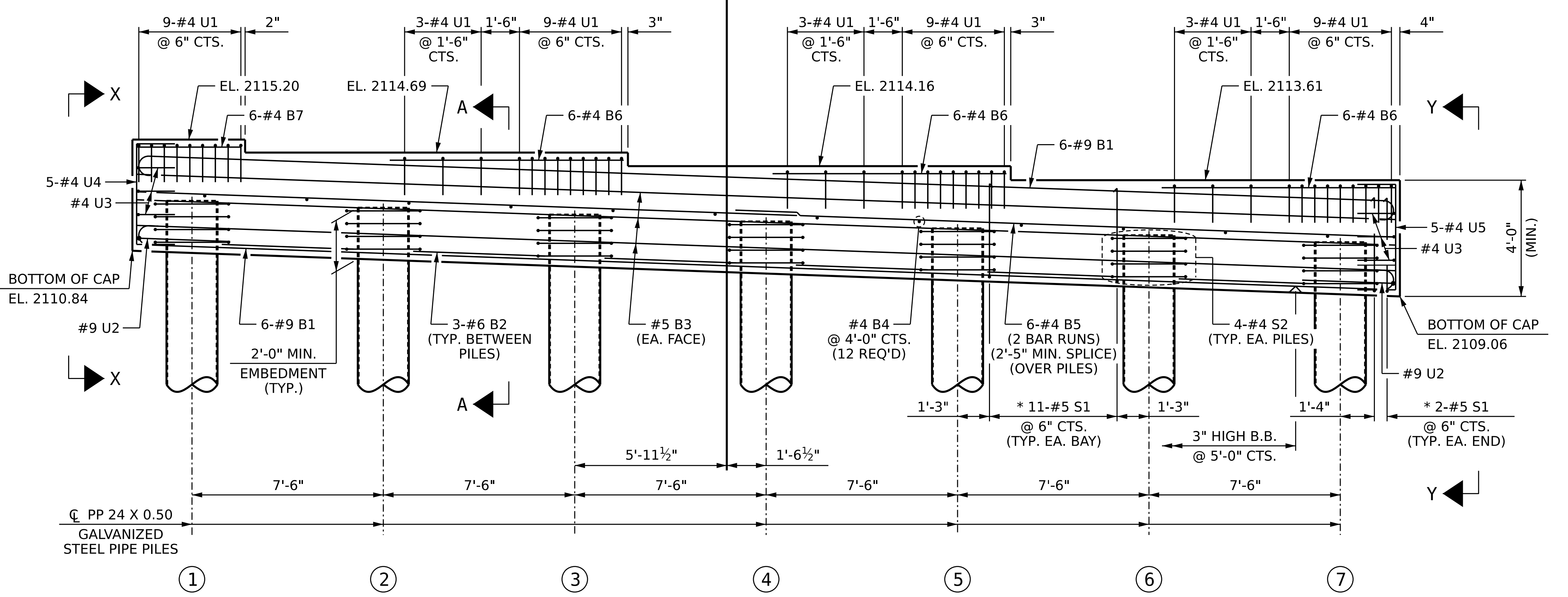
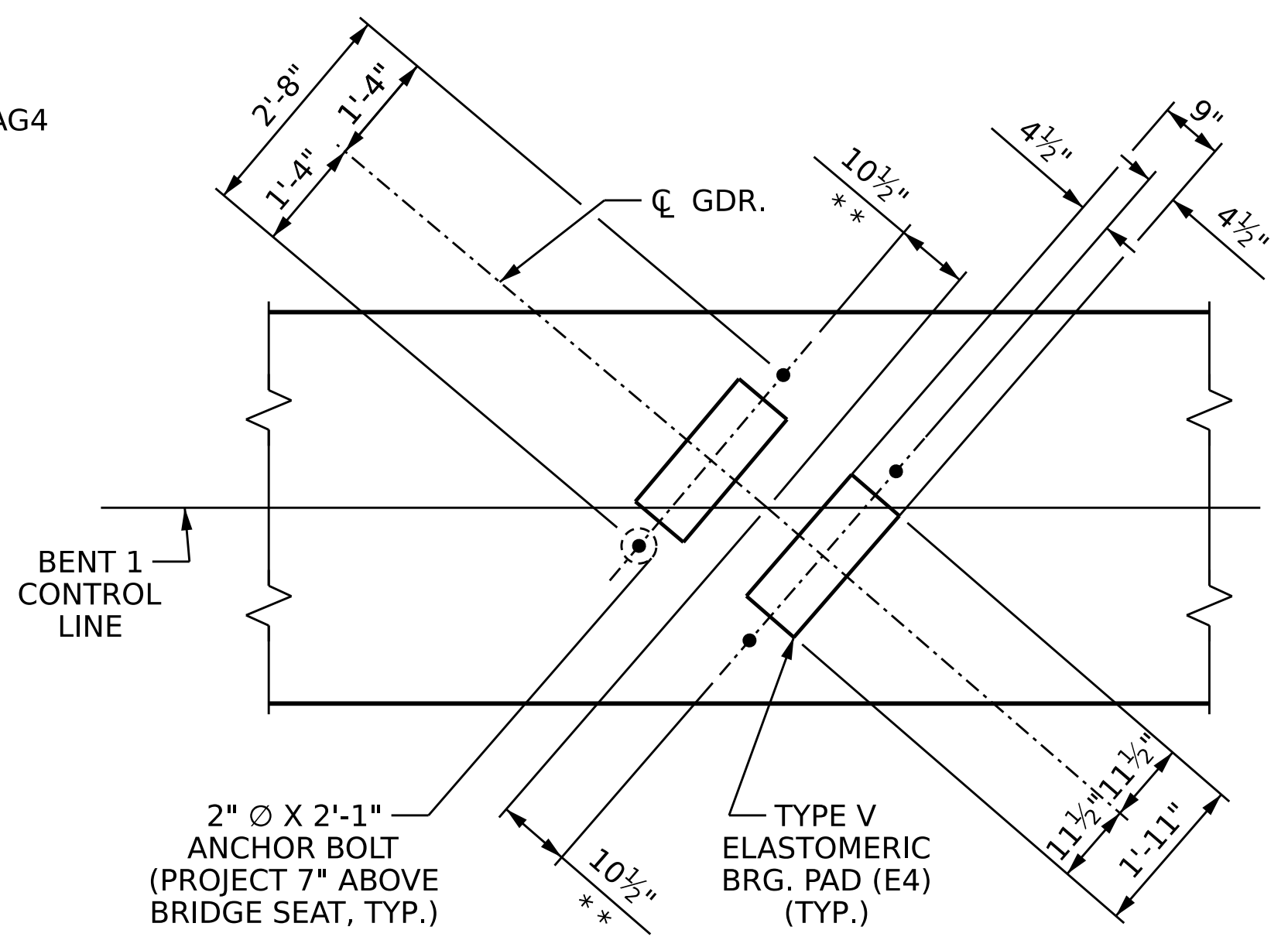


NOTES:

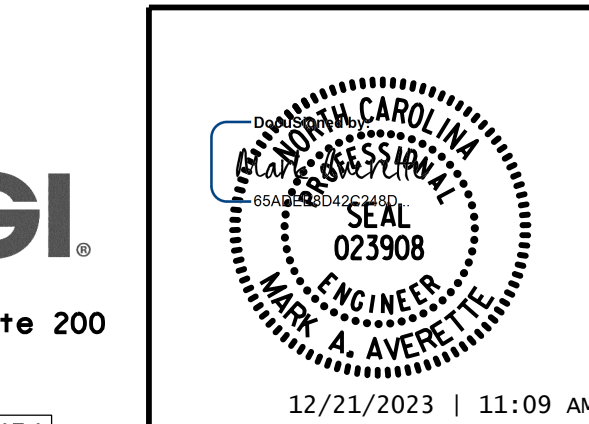
- * INVERT ALTERNATE STIRRUPS.
- STIRRUPS AND "U" BARS IN CAP MAY BE SHIFTED AS NECESSARY TO CLEAR ANCHOR BOLTS.
- FOR ADDITIONAL REINFORCING STEEL IN PP 24 X 0.50 GALVANIZED STEEL PILES, SEE 24" STEEL PIPE PILE SHEET.
- GALVANIZE THE TOP OF EACH INTERIOR BENT PILE A MINIMUM OF 36 FEET. GALVANIZE IN ACCORDANCE WITH SECTION 1076 OF THE STANDARD SPECIFICATIONS.



TOP OF PILE ELEVATIONS

PILE	ELEVATION
1	2112.79
2	2112.53
3	2112.26
4	2111.99
5	2111.72
6	2111.44
7	2111.18

PROJECT NO. I-2513AA/AB
BUNCOMBE COUNTY
 STATION: 20+16.70 -Y5RPA-
 SHEET 1 OF 2



REVISIONS

NO.	BY:	DATE:	NO.	BY:	DATE:
1			3		
2			4		

SHEET NO. **5-37**
 TOTAL SHEETS **49**



12/21/2023 1:49:38 PM c:\pwworking\cecom_ds21_na_2020\d0252774\I2513AA_SMU_B1_100902.dgn

DRAWN BY: T. BANKOVICH DATE: 12-23
 CHECKED BY: M.A. AVERETTE DATE: 12-23
 DESIGN ENGINEER OF RECORD: M.A. AVERETTE DATE: 12-23

DOCUMENT NOT CONSIDERED FINAL UNLESS ALL SIGNATURES COMPLETED