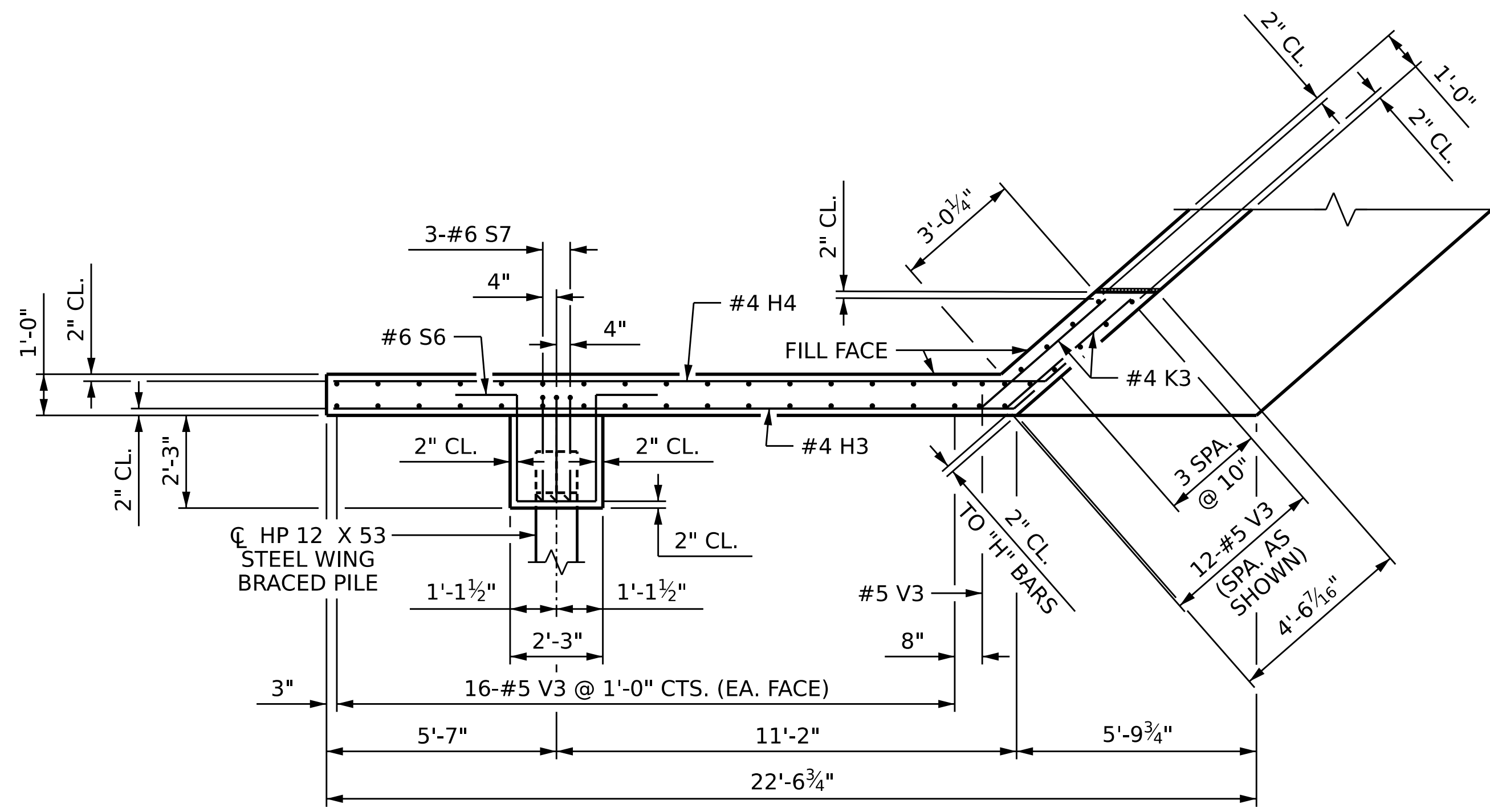
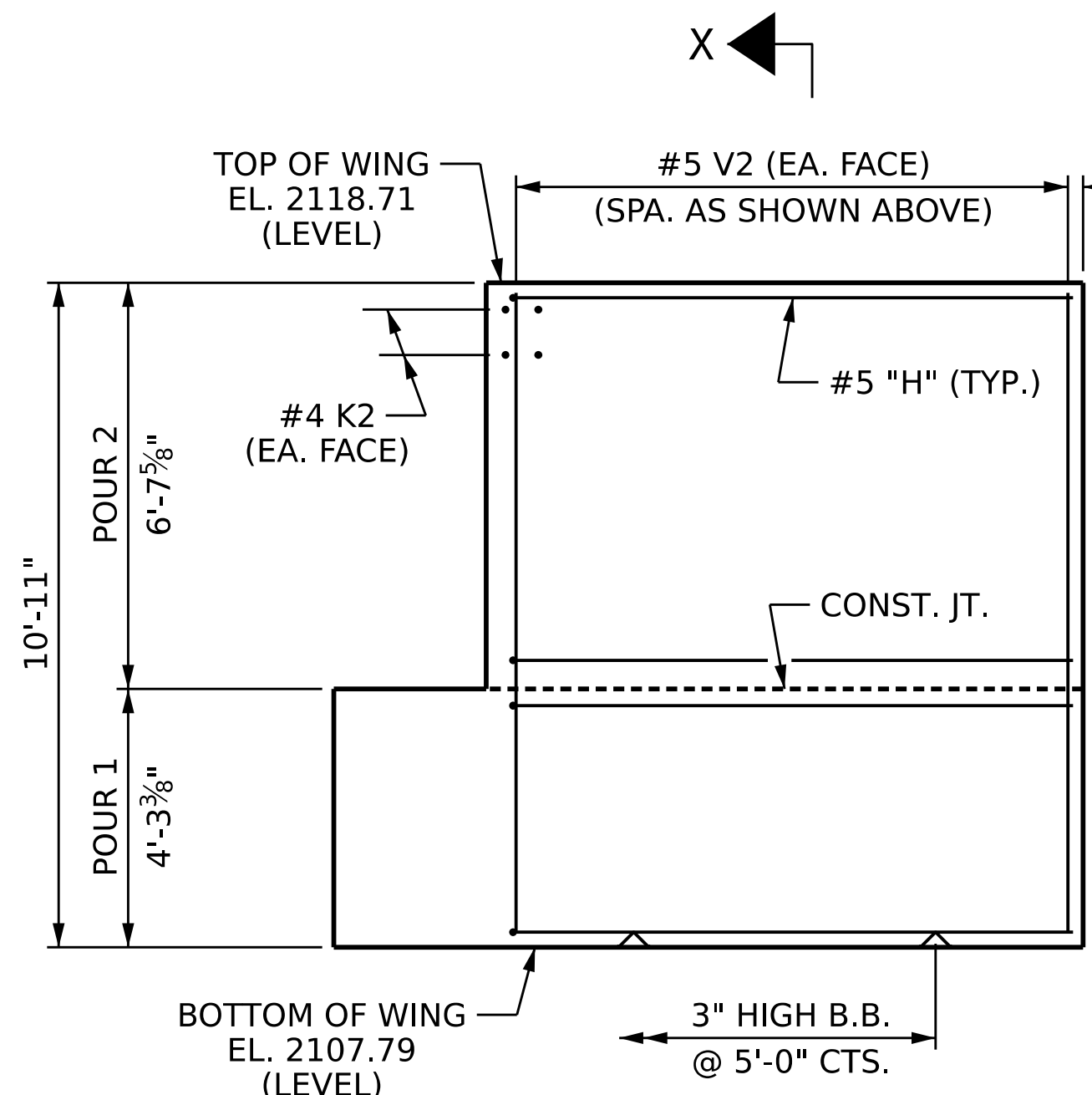


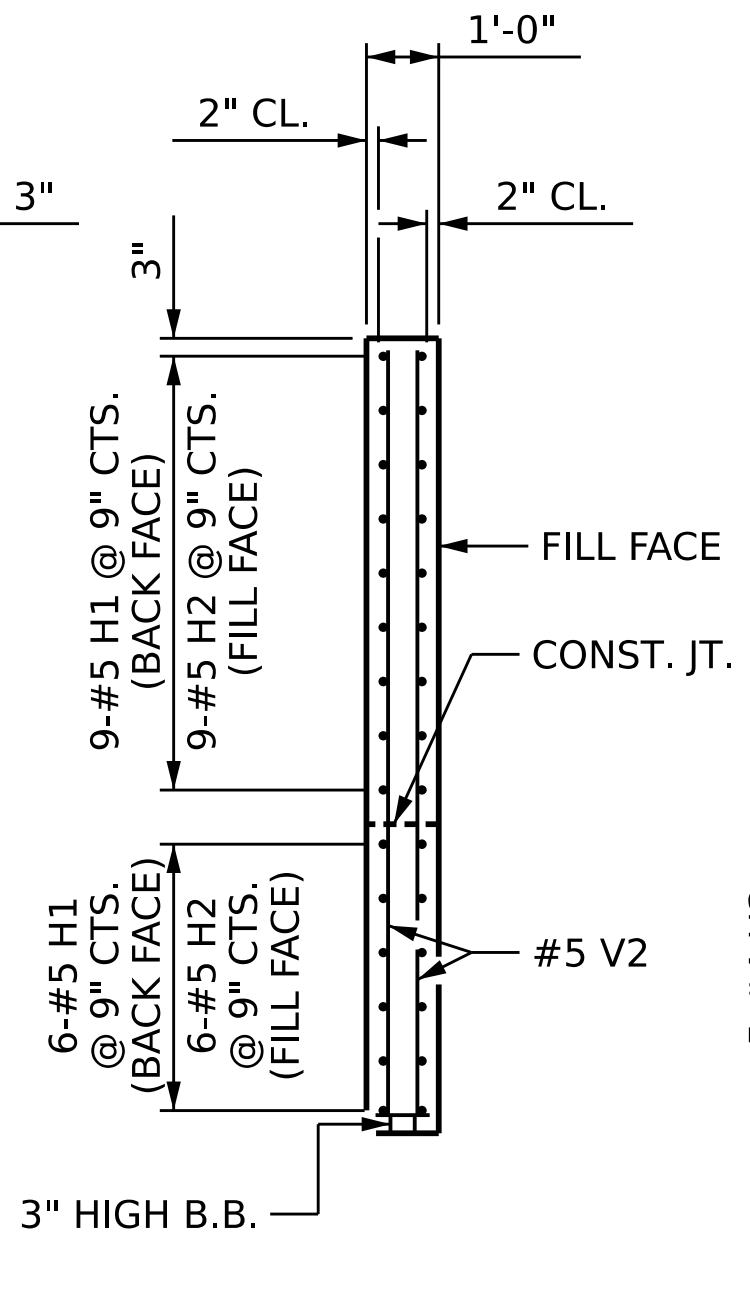
**PLAN OF WING W1**



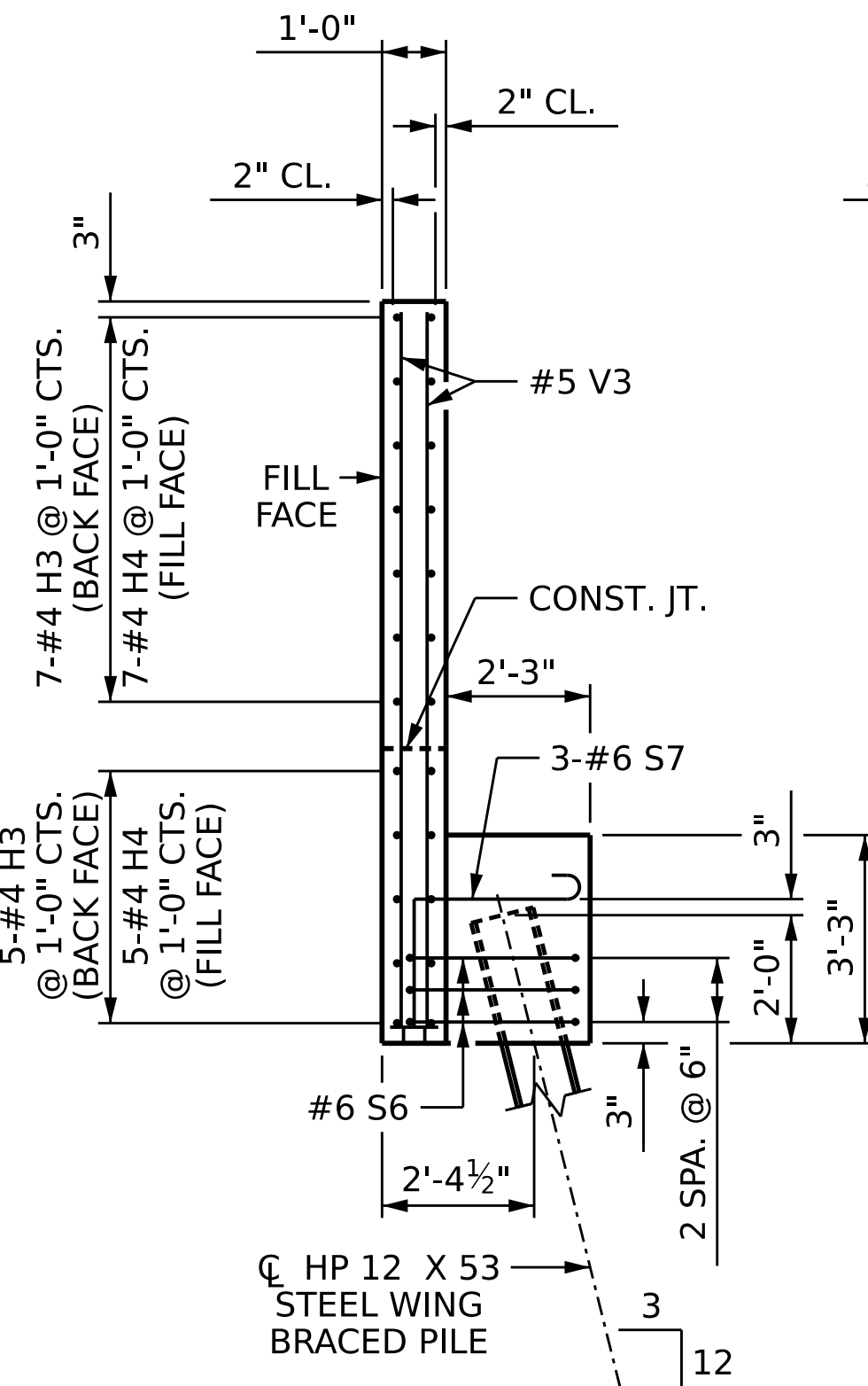
**PLAN OF WING W2**



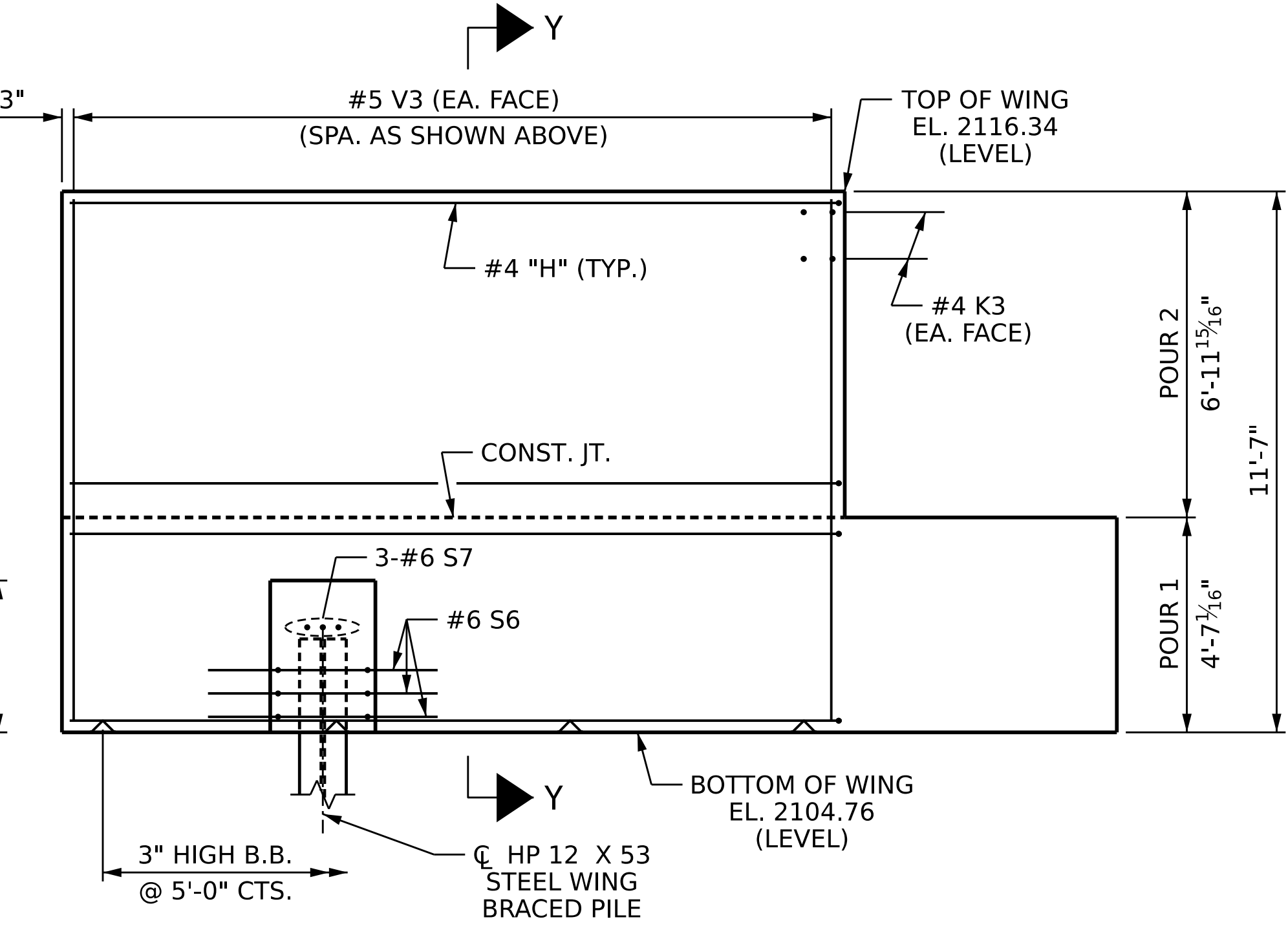
**ELEVATION OF WING W1**



**SECTION X-X**



**SECTION Y-Y**



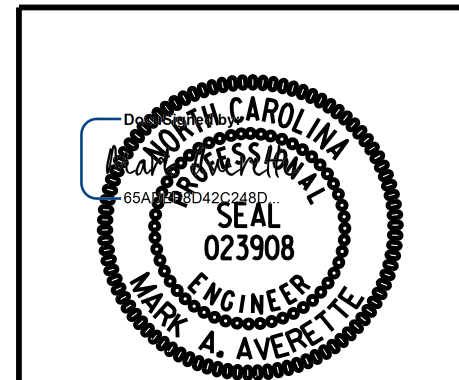
**ELEVATION OF WING W2**

PROJECT NO. I-2513AA/AB  
BUNCOMBE COUNTY  
 STATION: 20+16.70 -Y5RPA-

SHEET 2 OF 3

STATE OF NORTH CAROLINA  
 DEPARTMENT OF TRANSPORTATION  
 RALEIGH  
 SUBSTRUCTURE

**END BENT 1**



LICENSURE NO. C-4434

DRAWN BY : T. BANKOVICH DATE : 12-23  
 CHECKED BY : M.A. AVERETTE DATE : 12-23  
 DESIGN ENGINEER OF RECORD: M.A. AVERETTE DATE : 12-23

REVISIONS				SHEET NO.	
NO.	BY:	DATE:	NO.	BY:	DATE:
1			3		
2			4		

TOTAL SHEETS: 49

**DOCUMENT NOT CONSIDERED FINAL  
 UNLESS ALL SIGNATURES COMPLETED**

12/21/2023 1:49:33 PM c:\pwworking\cecom\_ds21\_na\_2020\d0252774\I2513AA\_SMU\_EB2\_100902.dgn