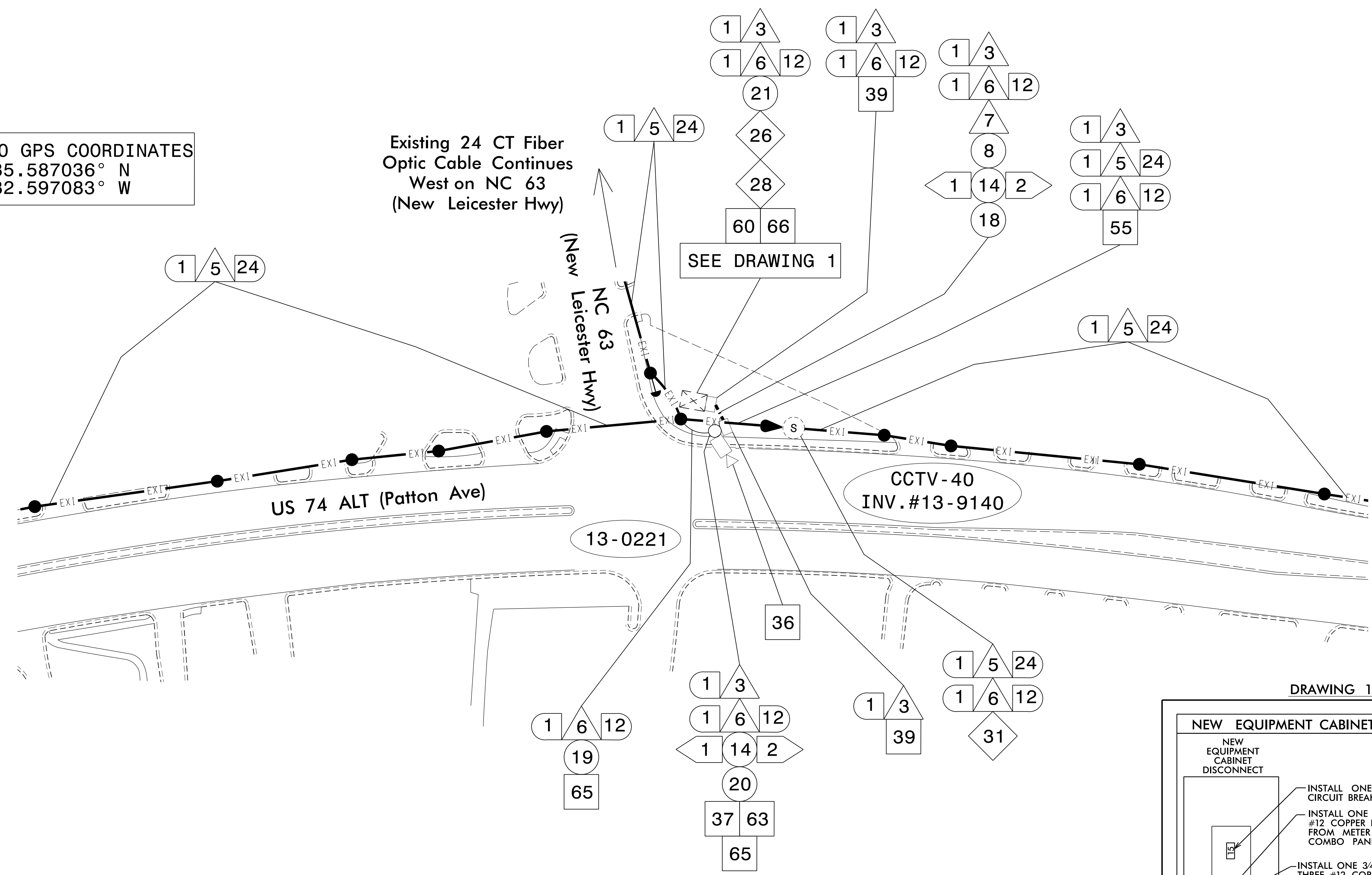


CCTV-40 GPS COORDINATES
35.587036° N
82.597083° W

Existing 24 CT Fiber
Optic Cable Continues
West on NC 63
(New Leicester Hwy)

Existing 24 CT
Fiber Optic Cable
Continues
Northeast on US
74 ALT (Patton
Ave)

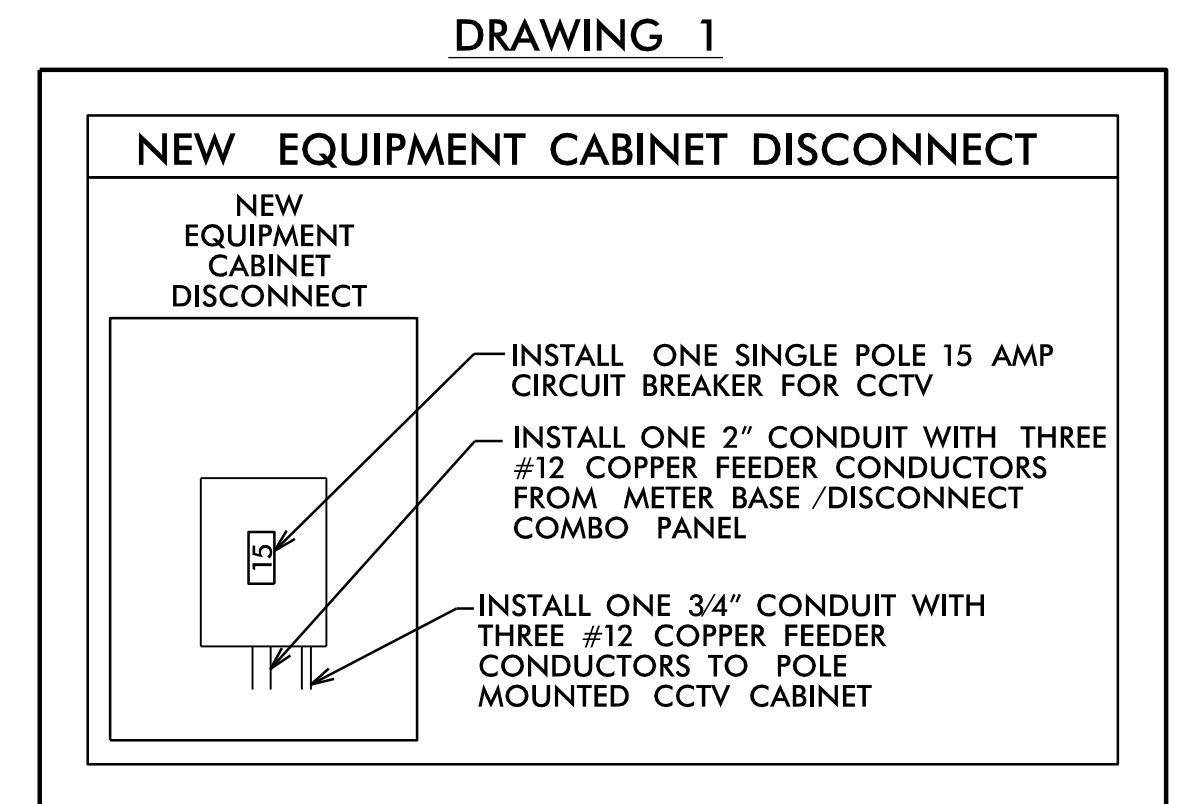
Existing 24 CT
Fiber Optic Cable
Continues
Northeast on US
74 ALT (Patton
Ave)



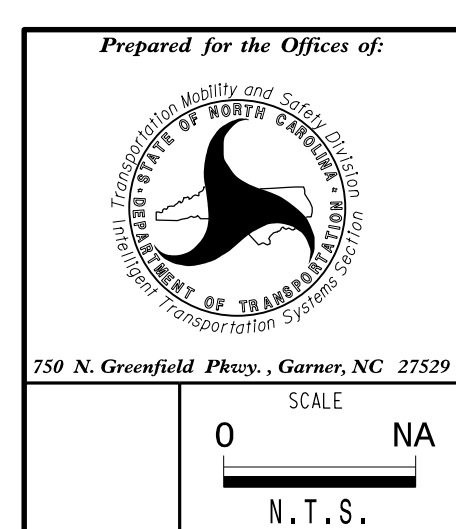
To CCTV-39
INV.#13-9139

NOTES:

- 1. LOCATION OF NEW CCTV-40 IS BEYOND ROADWAY CONSTRUCTION LIMITS. INSTALL WOOD POLE MOUNTED CAMERA AND ACTIVATE DURING PHASE I OF CONSTRUCTION.



1/19/2024 10:44:44 AM C:\Users\paw_bentl\ey-com\AECOM\B21_NA_2020\Documents\60646756-1-2513AA\AB\ITS_PSI\24.dgn T:\ndm



ITS Communication Cable and Conduit Routing Plans

DIVISION 13	BUNCOMBE CO.	ASHEVILLE
PLAN DATE: January 2024	REVIEWED BY: M. Cavanaugh	
PREPARED BY: M. Tindal	REVIEWED BY: R. Garrett	
REVISIONS	INIT.	DATE

DOCUMENT NOT CONSIDERED FINAL UNLESS ALL SIGNATURES COMPLETED

SEAL

DocuSigned by:
Rachelle Garrett 1/19/2024