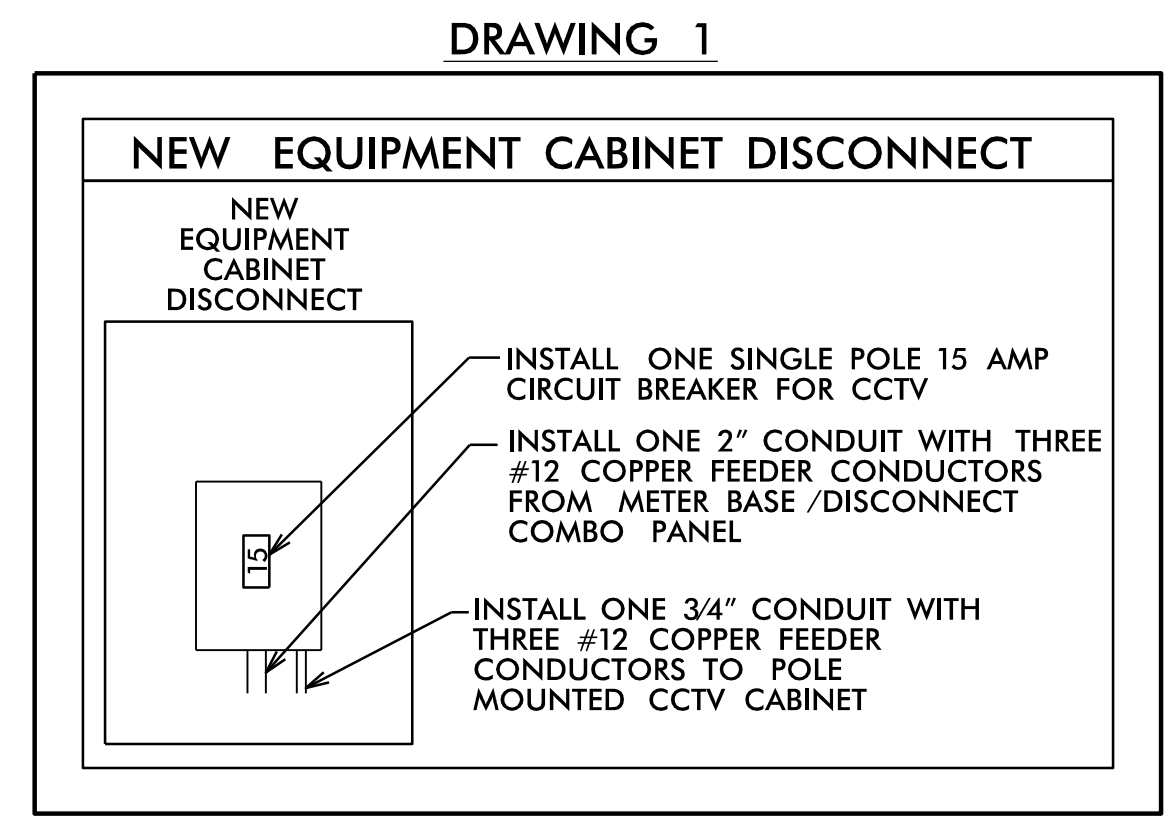
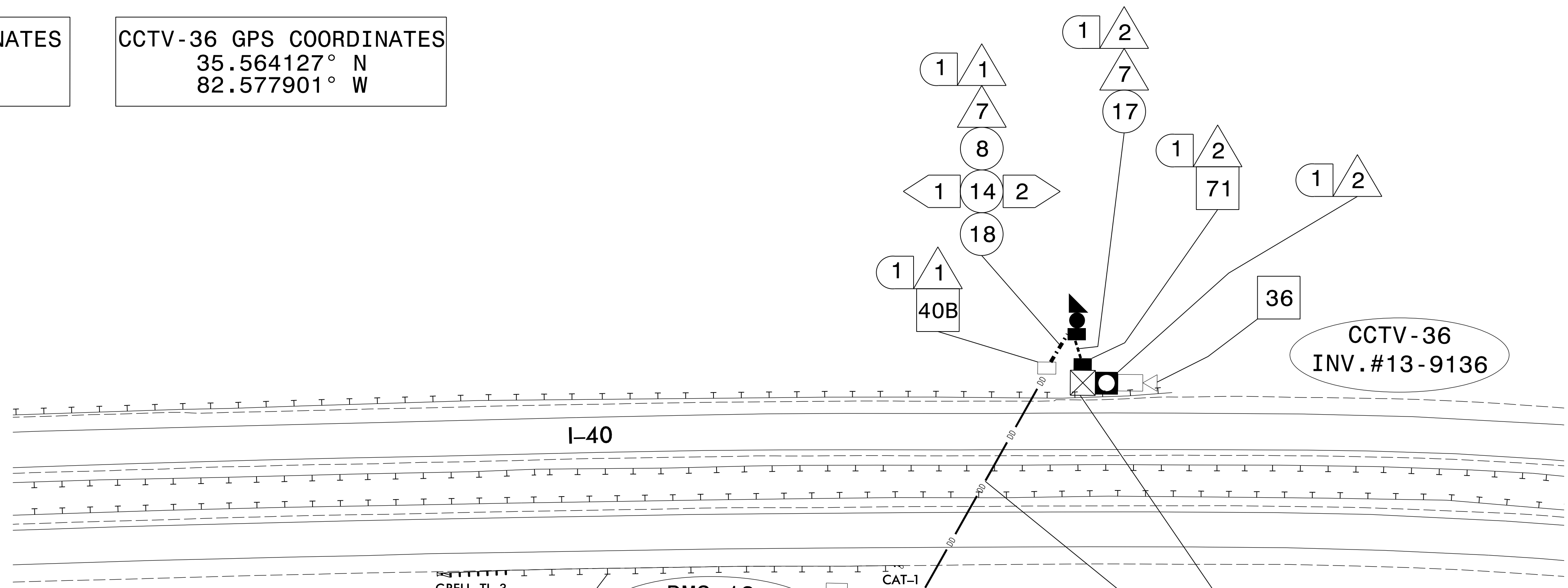


DMS-19 GPS COORDINATES
35.563712° N
82.578644° W

CCTV-36 GPS COORDINATES
35.564127° N
82.577901° W

To Existing
CCTV-33
INV.#13-1933
←

To Existing DMS-06
INV.#13-9001/
CCTV-37 INV.#13-9137
→



SEE NOTE 1

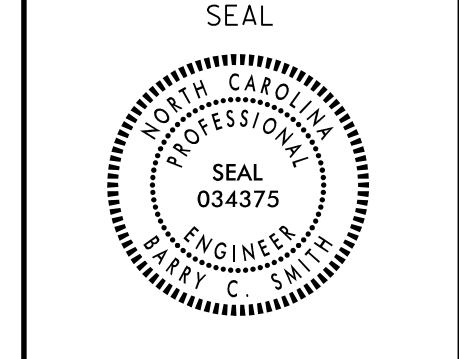
SEE DRAWING 1

SEE DRAWING 1

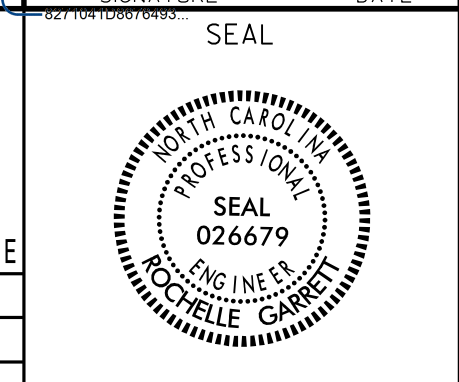
NOTES:

- 1. PROPOSED 262.5 FEET OF GUARDRAIL.
- 2. CONTACT ENGINEER TO REQUEST DIT SUPPLIED CELLULAR MODEM.

DOCUMENT NOT CONSIDERED FINAL UNLESS ALL SIGNATURES COMPLETED



DocuSigned by: Barry Smith 1/19/2024



DocuSigned by: Rachelle Massett 1/19/2024

Prepared for the Offices of:

ITS Communication Cable and Conduit Routing Plans

DIVISION 13 BUNCOMBE CO. ASHEVILLE

PLAN DATE: January 2024 REVIEWED BY: M. Cavanaugh

PREPARED BY: M. Tindal REVIEWED BY: R. Garrett

REVISIONS	INIT.	DATE

SCALE: 0 NA N.T.S.

DocuSigned by: Rachelle Massett 1/19/2024

AECOM
NC Firm License No.: F-0342
5438 Wade Park Boulevard
Suite 200 Raleigh, NC 27607
Phone: 919-461-1100

1/19/2024
p:\a\ecom\nc-pw\benji\ey.com\AECOM\0521_NA_2020\Documents\60646756-1-2513AA\00-CAD_0154910-CAD\70-NC001-TIP\Intel\igen1_Transportation_Systems\AA_AB#1-2513AA_AB_ITS_PS\020.dgn
T.Tindal