

### OVERLAP PROGRAMMING DETAIL

Front Panel  
Main Menu >Controller >Overlap >Overlap Parameters/Overlap Timings

Web Interface  
Home >Controller >Overlap Configuration >Overlaps

Overlap Plan 1

Overlap	1	2	3	4
Type	FYA 4 - Section	Off	FYA 4 - Section	Normal
Included Phases	6	-	6	4,5
Modifier Phases	-	-	5	-
Modifier Overlaps	-	-	-	-
Trail Green	0	0	0	0
Trail Yellow	0.0	0.0	0.0	0.0
Trail Red	0.0	0.0	0.0	0.0

### FLASHER CIRCUIT MODIFICATION DETAIL

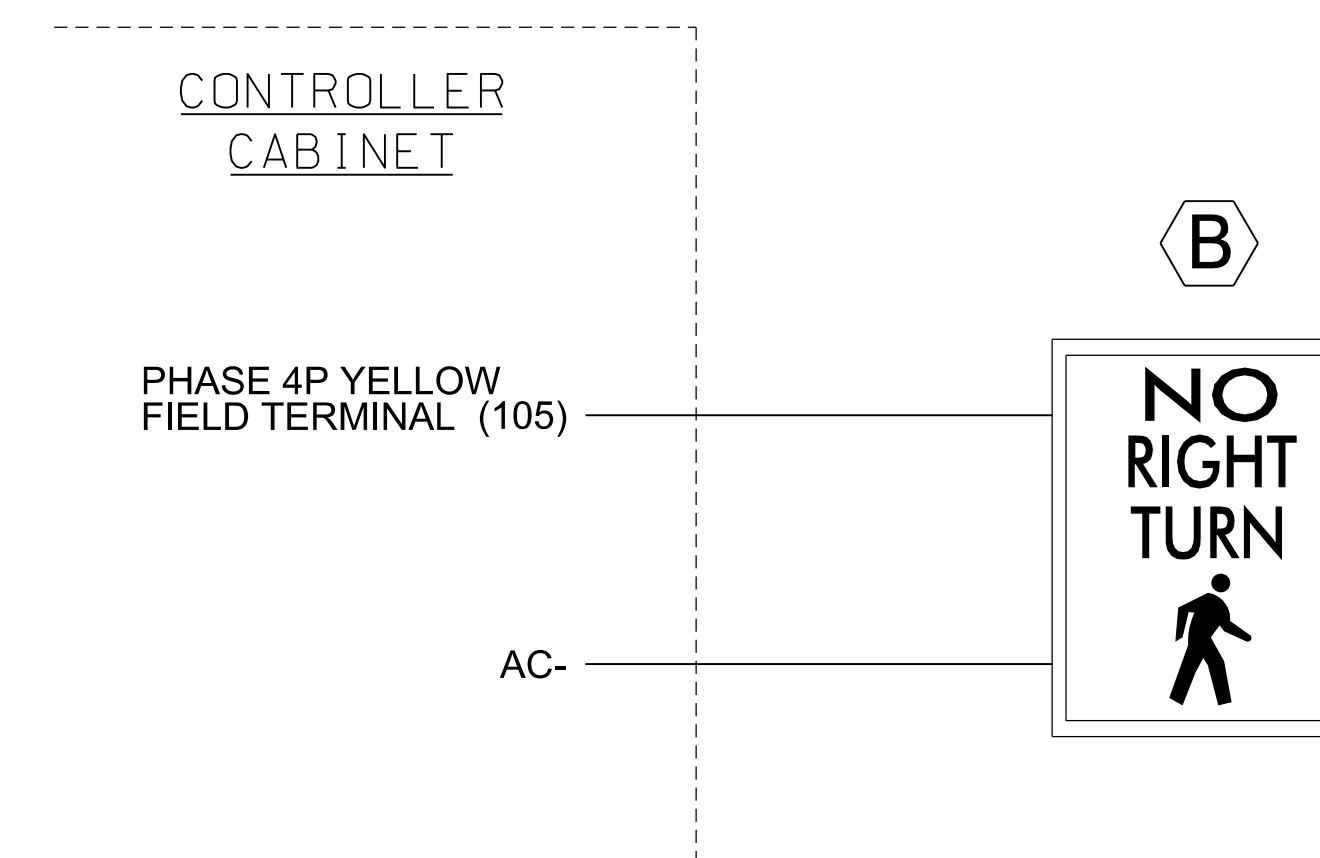
IN ORDER TO ENSURE THAT SIGNALS FLASH CONCURRENTLY ON THE SAME APPROACH, MAKE THE FOLLOWING FLASHER CIRCUIT CHANGES:

1. ON REAR OF PDA - REMOVE WIRE FROM TERM. T2-4 AND TERMINATE ON T2-2.
2. ON REAR OF PDA - REMOVE WIRE FROM TERM. T2-5 AND TERMINATE ON T2-3.
3. REMOVE FLASHER UNIT 2.

THE CHANGES LISTED ABOVE TIES ALL PHASES AND OVERLAPS TO FLASHER UNIT 1.

### BLANKOUT SIGN (B) WIRING DETAIL

(wire sign as shown)



NOTE: IF FIELD TERMINAL 105 HAS A CONFLICT MONITOR WIRE CONNECTED, REMOVE, TAPE, AND LABEL WIRE.

### OUTPUT POINTS PROGRAMMING DETAIL

Front Panel  
Main Menu >Controller >More >Advanced IO >Output Points

Web Interface  
Home >Controller >Advanced IO >Cabinet Configuration >Output Points

IO Module 1

Output Point	Description	Output Control Type	Index
35	C1-37	Global Variable	35

### LOGIC PROCESSOR PROGRAMMING

Front Panel  
Main Menu >Controller >More >User Programs >Definition

Web Interface  
Home >Controller >User Programs Configuration >User Programs Definition

Program 1

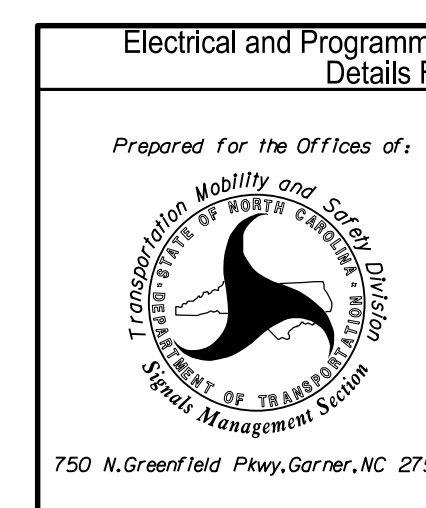
Statement	Result	Index	Operation	Parameter A	Index	Parameter B	Index	Delay	Ext
1	Global Variable	35	Result=(AorB)	Phase Walk	4	Phase Ped Clearance	4	0.0	0.0

### LOGIC STATEMENT DESCRIPTION

Statement 1 Description: Illuminate Blankout Sign (B) at beginning of Phase 4 WALK to the end of Phase 4 DON'T WALK.

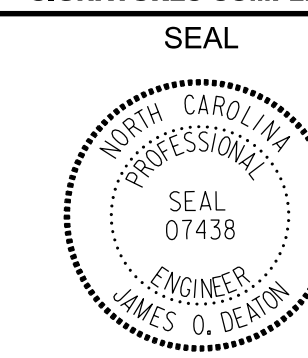
THIS ELECTRICAL DETAIL IS FOR THE SIGNAL DESIGN: 13-0468T1  
DESIGNED: December 2023  
SEALED: 12/5/2023  
REVISED:

Temporary Design 1 (TMP Phases I - II)  
Electrical Detail - Sheet 2 of 2



Electrical and Programming Details For:		
Prepared for the Offices of:		
US 19-23 (Smokey Park Highway) at I-40 WB Ramps		
Division 13	Buncombe County	Asheville
PLAN DATE: December 2023	REVIEWED BY: J O Deaton	
PREPARED BY: M W Yalch	REVIEWED BY:	
REVISIONS	INIT.	DATE

DOCUMENT NOT CONSIDERED FINAL UNLESS ALL SIGNATURES COMPLETED



DocuSigned by: James O. Deaton 12/5/2023  
SIGNATURE DATE  
SIG. INVENTORY NO. 13-0468T1

12/5/2023 10:58:41 AM C:\Users\jwalch\OneDrive\Documents\13-0468T1\13-0468T1-12-5-2023.dwg I:\Projects\13-0468T1\13-0468T1-12-5-2023.dwg