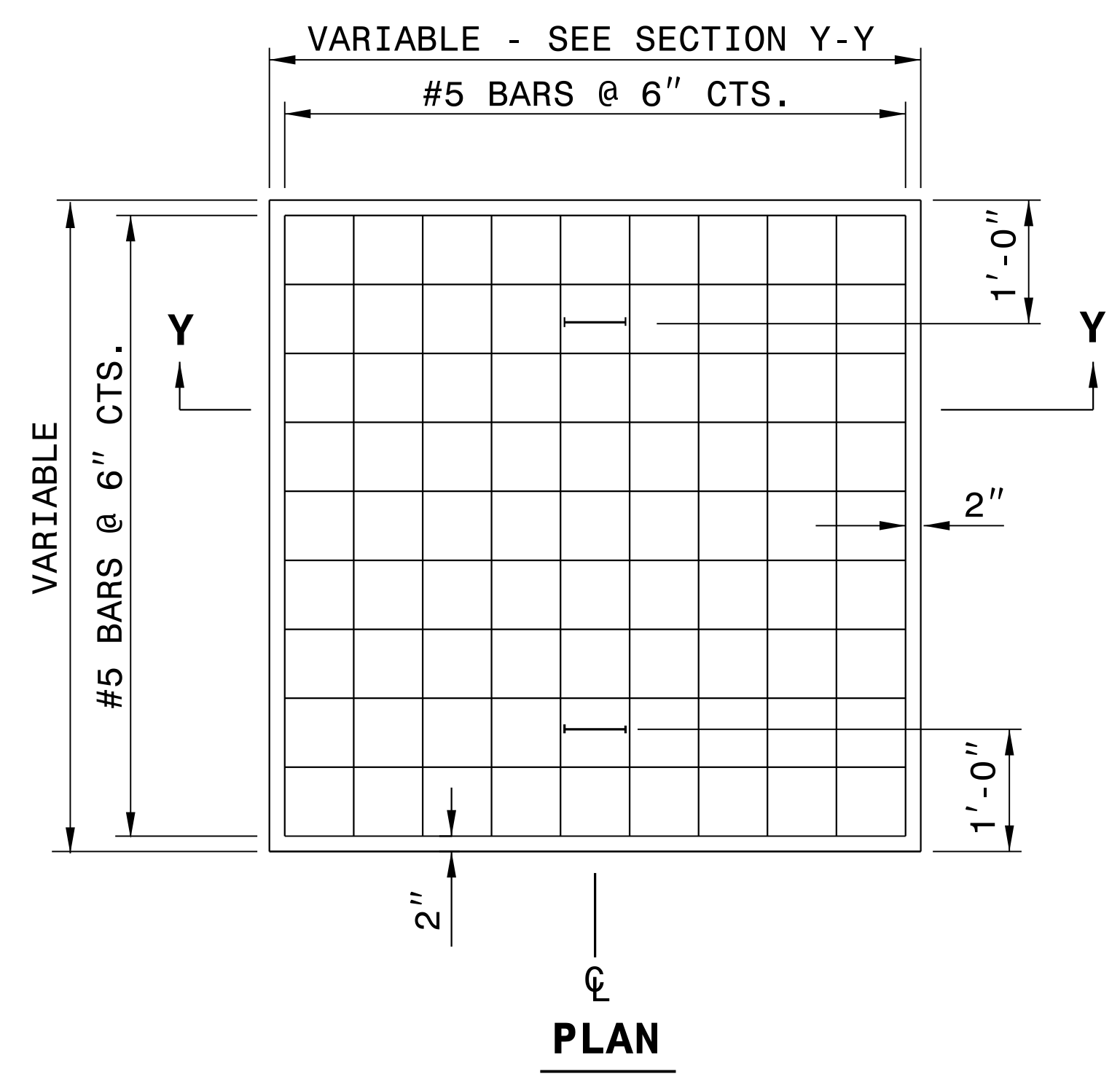
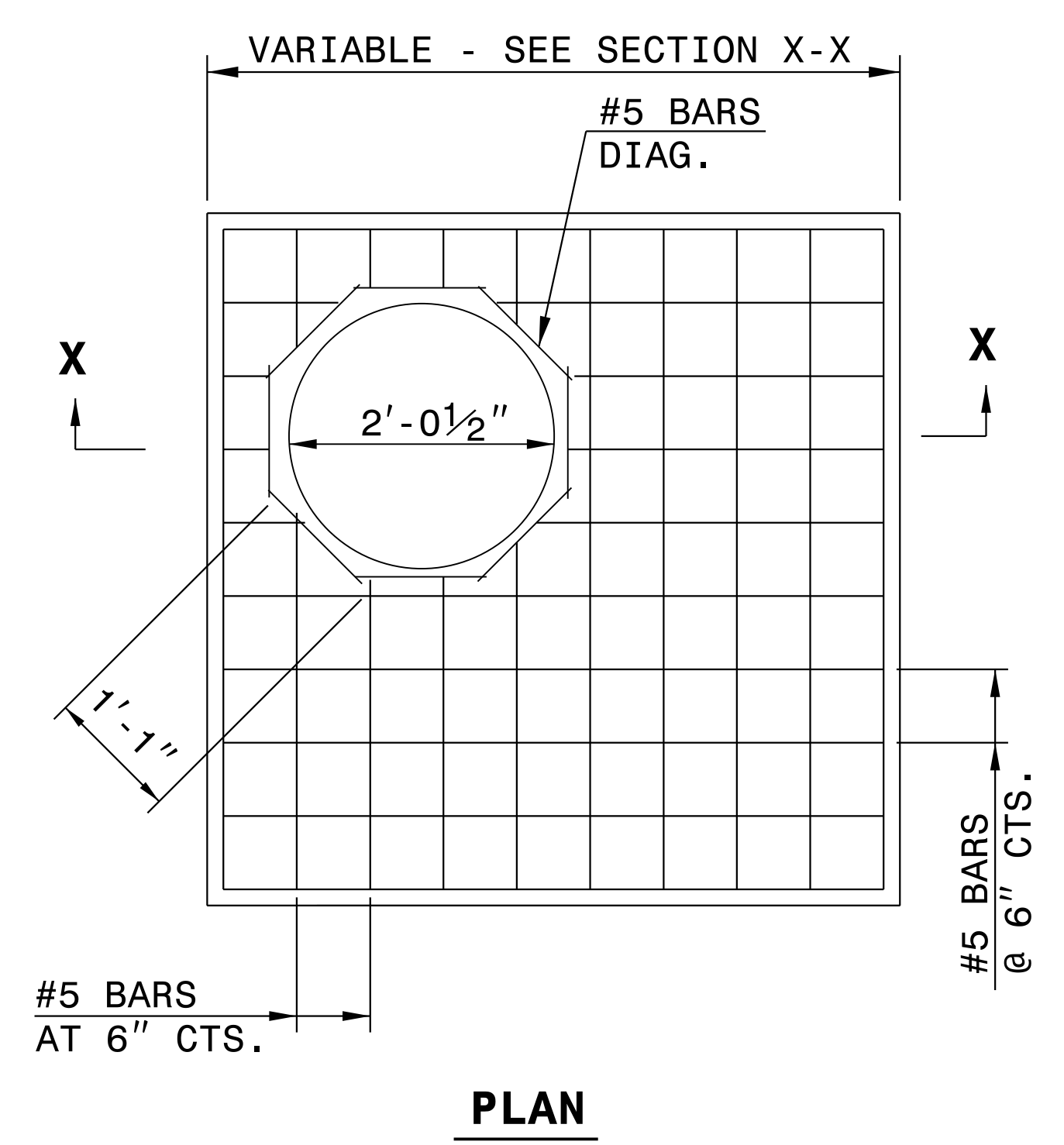
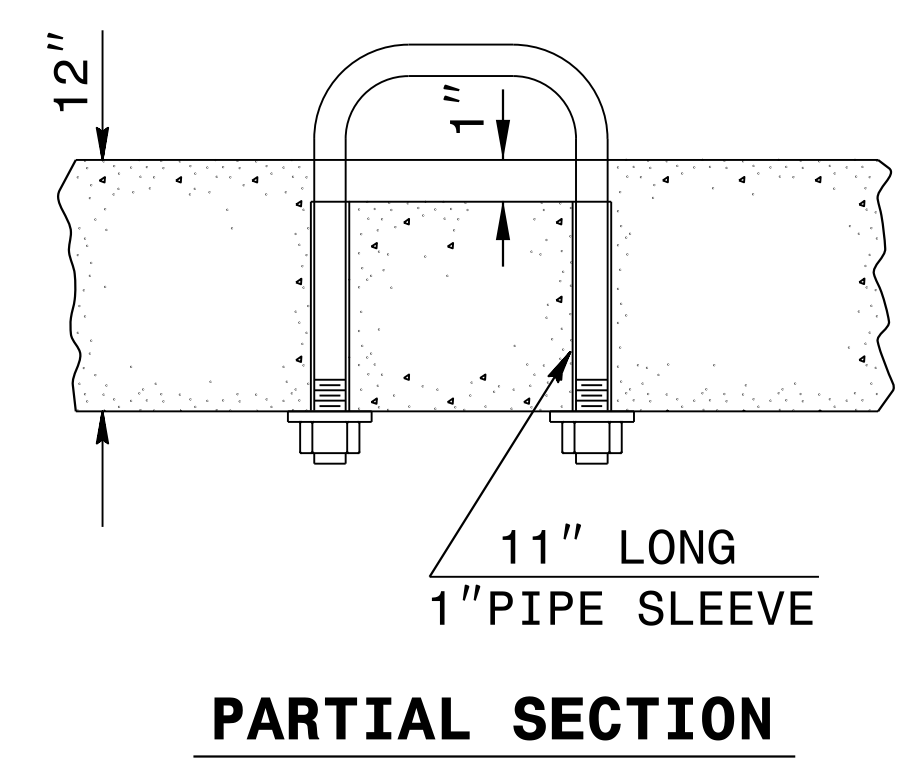
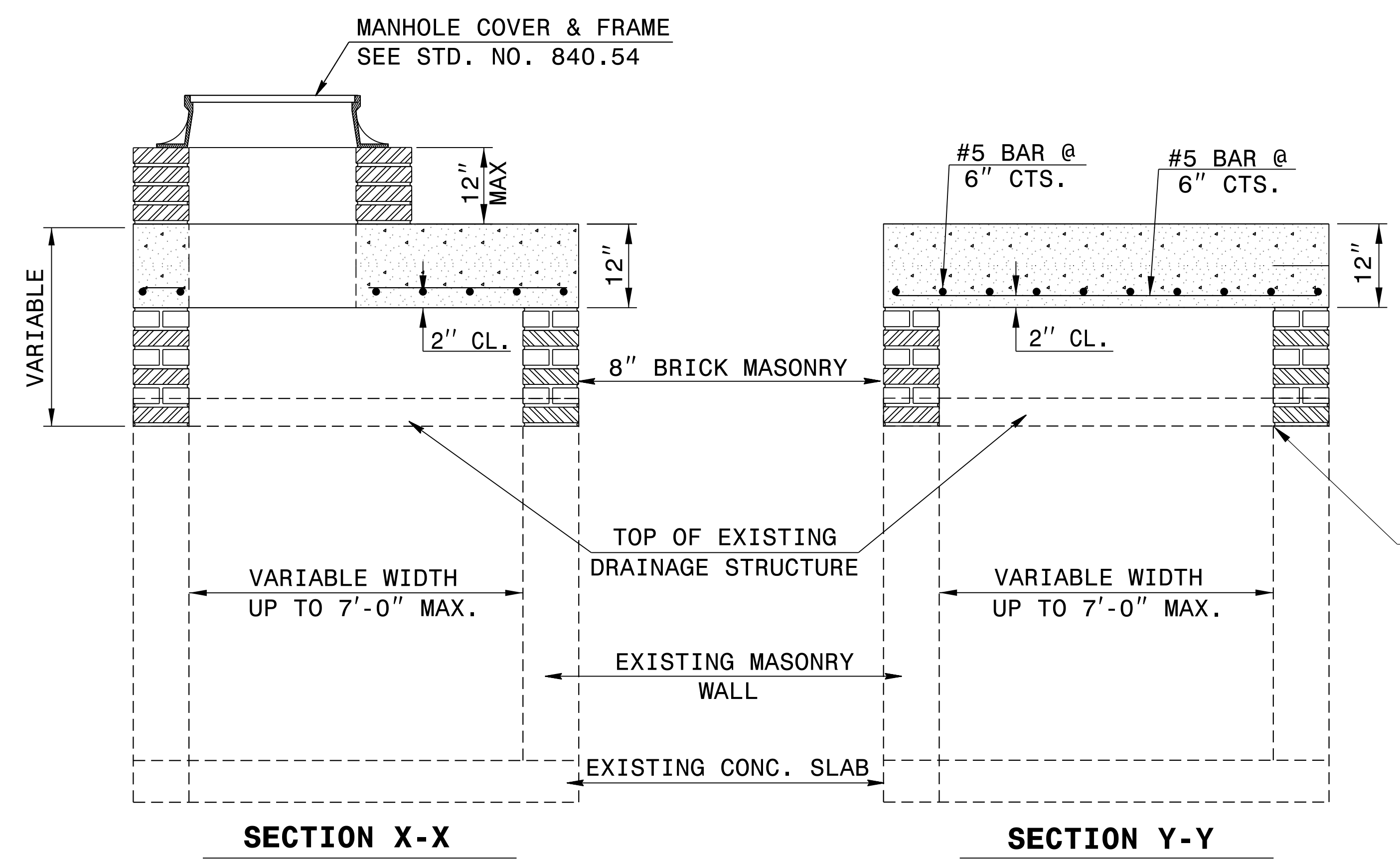
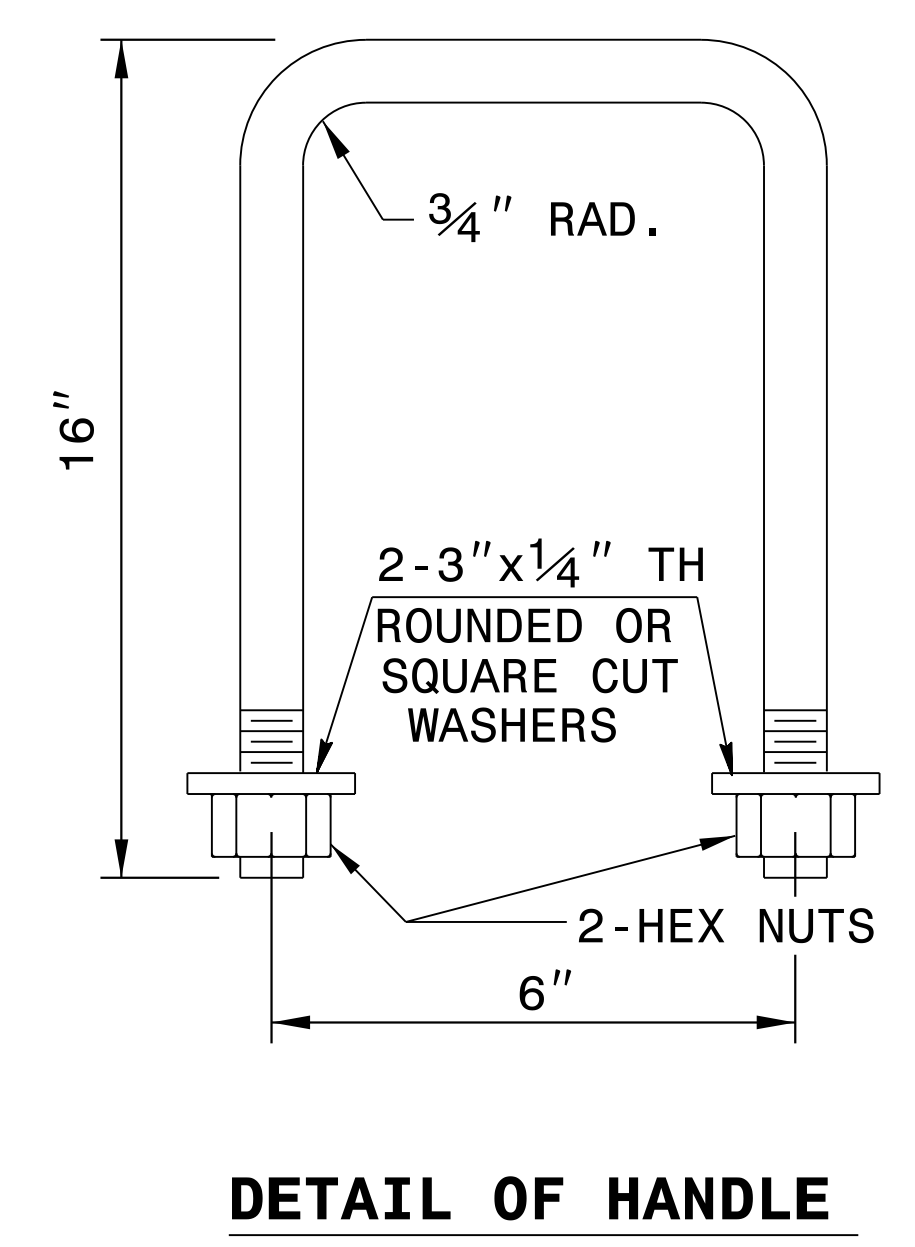


5/14/99



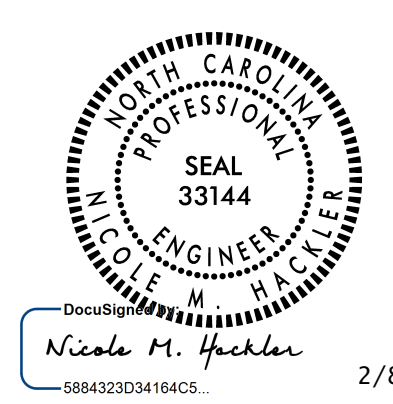
GENERAL NOTES:
 CONSTRUCT IN ACCORDANCE WITH SECTION 859 OF THE STANDARD SPECIFICATIONS.
 FIELD VERIFY THE DIMENSIONS FOR THE EXISTING BOXES.

BILL OF MATERIALS			
MASONRY			
TOP SLAB CONCRETE CLASS "A"		.037YDS ³	PER FT ²
BRICK MASONRY		.025YDS ³	PER FT ²
REINFORCING STEEL		7.64LBS	PER FT ²
MANHOLE OPTION QUANTITIES			
SIZE	QTY.	LENGTH	REINF. STEEL LBS.
#5 DIAG.	8	1'-1"	9.04



ALIGN PROPOSED BRICK VERTICAL ADJUSTMENT TO INNER FACE OF WALL

NOTE:
 CONCRETE AND REINFORCING STEEL QUANTITIES BASED ON SQUARE FOOT AREA OF THE PROPOSED TOP SLAB FOR THE EXISTING DRAINAGE STRUCTURE.
 BRICK MASONRY QUANTITY IS BASED ON THE TOTAL SQUARE FOOTAGE OF EXTERIOR WALL SURFACE AREA TO BE CONSTRUCTED.



2/8/2024

CONTRACT STANDARDS AND DEVELOPMENT UNIT
 Office 919-707-6950 FAX 919-250-4119
DETAIL TO CONVERT EXISTING TRAFFIC BEARING DROP INLET OR CATCH BASIN TO TRAFFIC BEARING JUNCTION BOX (MANHOLE OPTIONAL)

ORIGINAL BY: T.S.S. DATE: FEB. 2000
 MODIFIED BY: E.E.W. DATE: NOV. 2001
 CHECKED BY: DATE:
 FILE SPEC.: w:ericward/usr/details/stand/boxtotbjbe.dgn

DOCUMENT NOT CONSIDERED FINAL UNLESS ALL SIGNATURES COMPLETED

05-MAR-2018 08:41 S:\Contracts\Special Details\ericward\usr\details\stand\boxtotbjbe.dgn J:\overton AT USD-292595