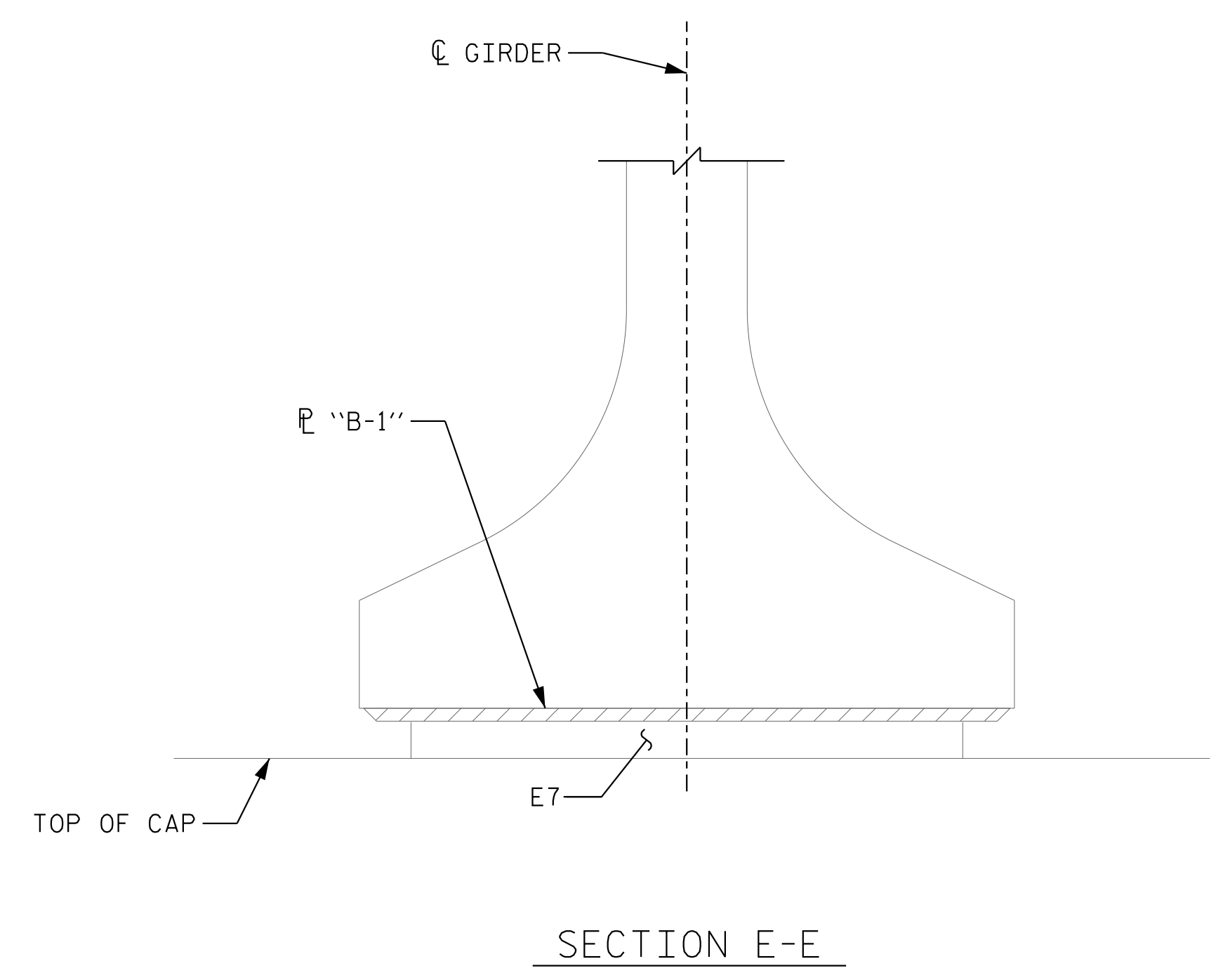
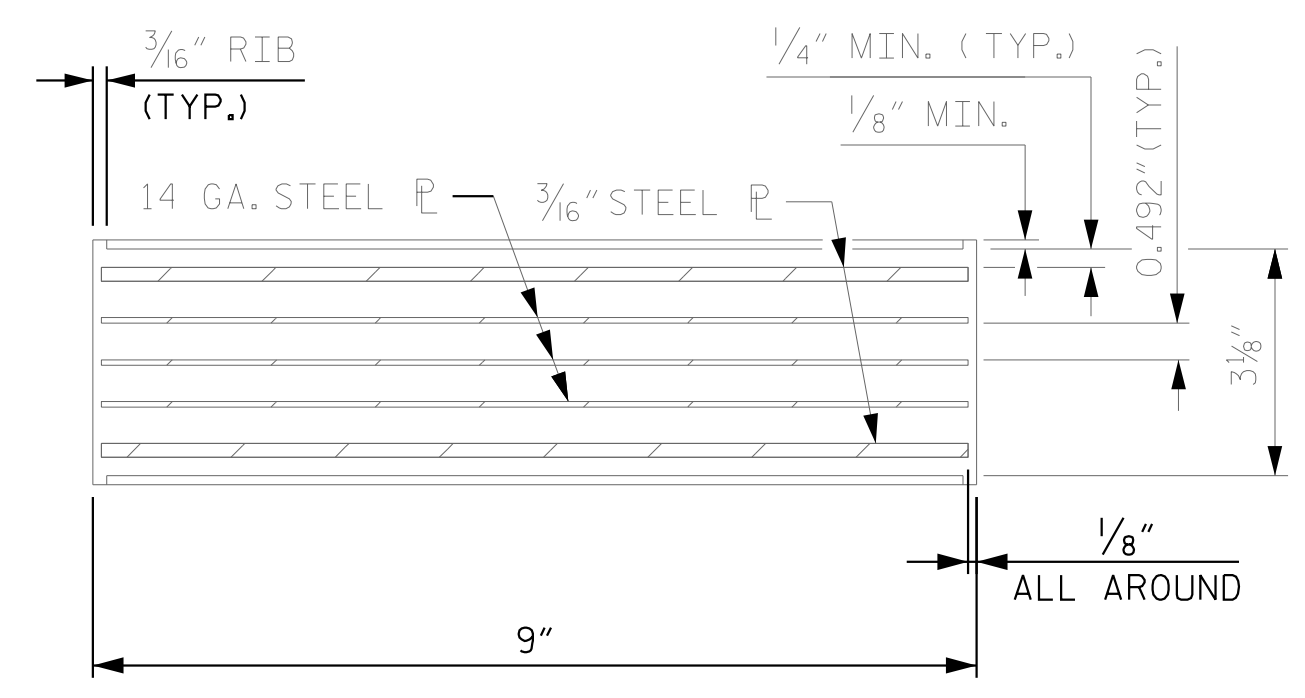


NOTES

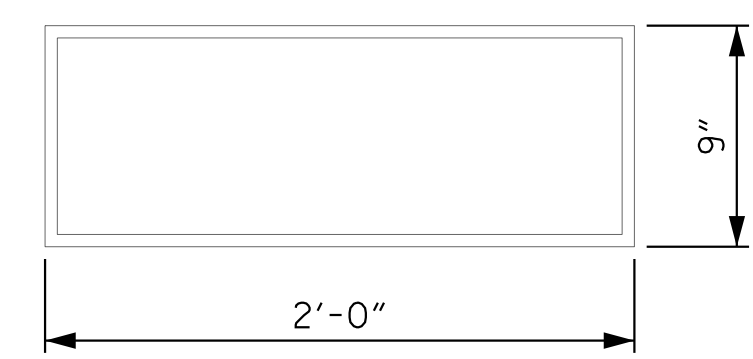
ALL SURFACES OF BEARING PLATES SHALL BE SMOOTH AND STRAIGHT.
 THE ELASTOMER IN THE STEEL REINFORCED BEARINGS SHALL HAVE A SHEAR MODULUS OF 0.160 KSI, IN ACCORDANCE WITH AASHTO M251.



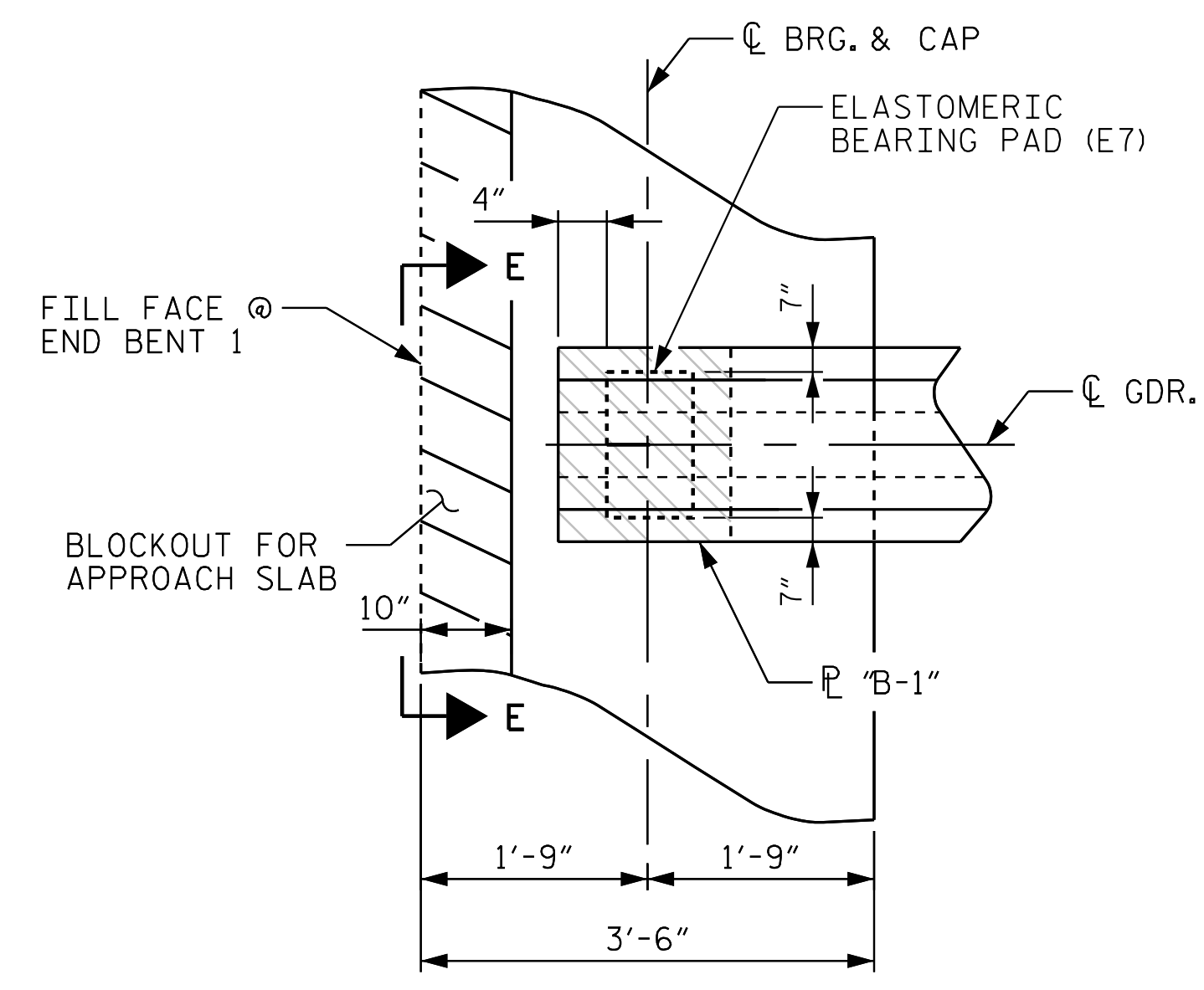
MAXIMUM ALLOWABLE SERVICE LOADS	
D.L.+L.L. (NO IMPACT)	
TYPE VIII	390 K
MAXIMUM ALLOWABLE EXPANSION LENGTH	
TYPE VIII	225 FT.



TYPICAL SECTION OF ELASTOMERIC BEARINGS

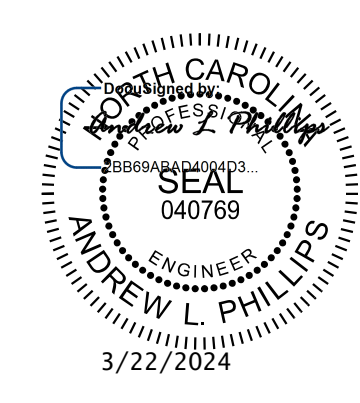


E7 (22 REQ'D)
 PLAN VIEW OF ELASTOMERIC BEARING
 TYPE VIII



PLAN VIEW AT INTEGRAL END BENT
 (END BENT 1 SHOWN, END BENT 2 SIMILAR)

PROJECT NO. P-5720
WAKE COUNTY
 STATION: 32+23.01 -L-



Kimley»Horn
 421 Fayetteville Street, Suite 600
 Raleigh, NC 27601-1772
 Phone (919) 677-2000
 NC LICENSE # F-0102

STATE OF NORTH CAROLINA
 DEPARTMENT OF TRANSPORTATION
 RALEIGH
 STANDARD
ELASTOMERIC BEARING
 DETAILS
 FIB SUPERSTRUCTURE

REVISIONS					SHEET NO.
NO.	BY:	DATE:	NO.	DATE:	S-14
1			3		TOTAL SHEETS
2			4		33

**DOCUMENT NOT CONSIDERED FINAL
 UNLESS ALL SIGNATURES COMPLETED**

This document, together with the concepts and designs presented herein, is an instrument of service, is intended only for the specific purpose and client for which it was prepared. Reuse of and improper reliance of this document without written authorization and approval by Kimley-Horn and Associates, Inc. shall be without liability to Kimley-Horn and Associates, Inc.
 Copyright Kimley-Horn and Associates, Inc., 2024

K:\RD1\Structures\Bridges\NC\1036002 - P-5720\Cad\Drawings\EB5720_SML_B61_911494.dgn 3/22/2024

ASSEMBLED BY : D.D. LOWERY	DATE : 1/19
CHECKED BY : S.A. DENNEY	DATE : 1/19
DRAWN BY : WJH 8/89	REV. 1/15 MAA/TMG
CHECKED BY : CRK 8/89	REV. 12/17 MAA/THC
	REV. 10/21 BNB/AAI