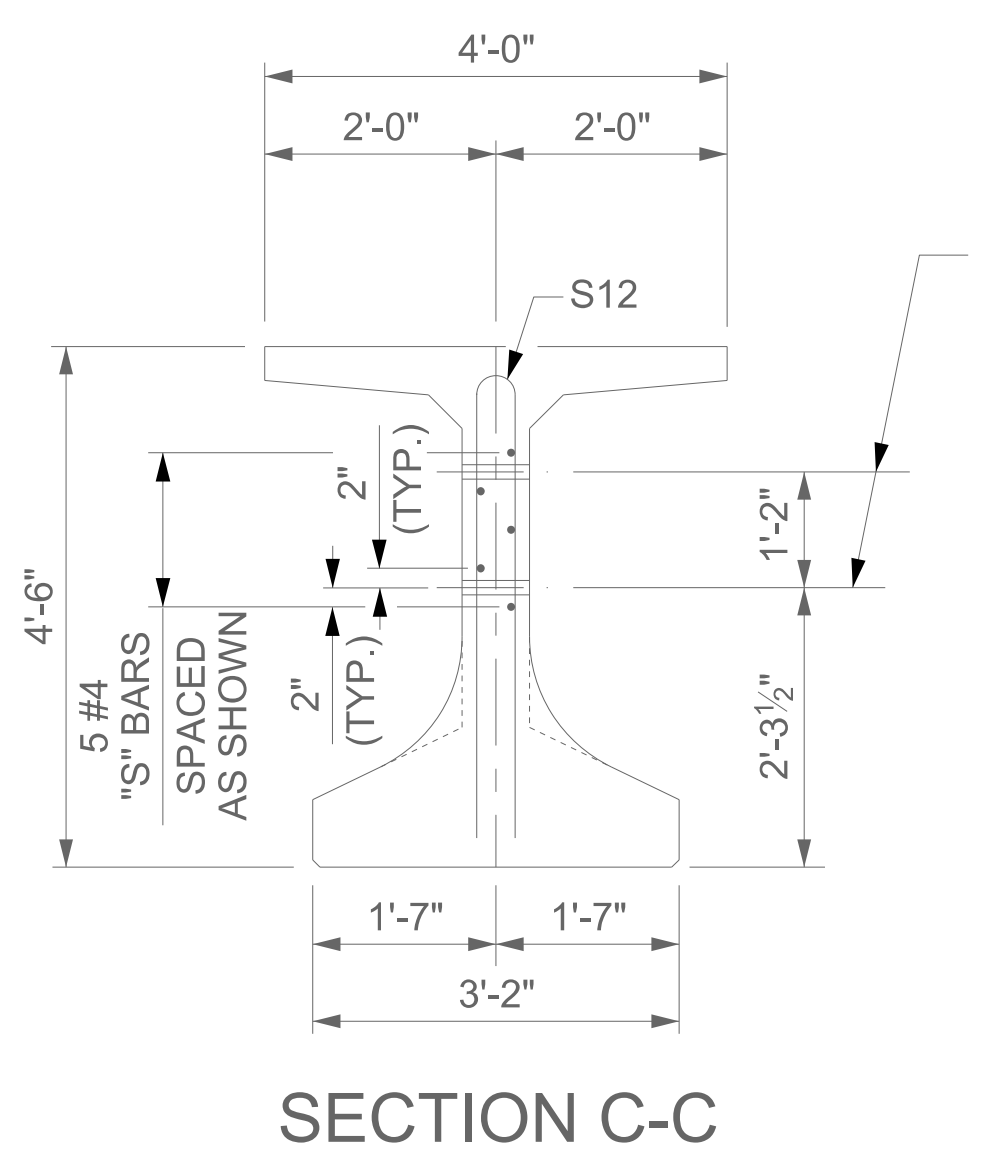


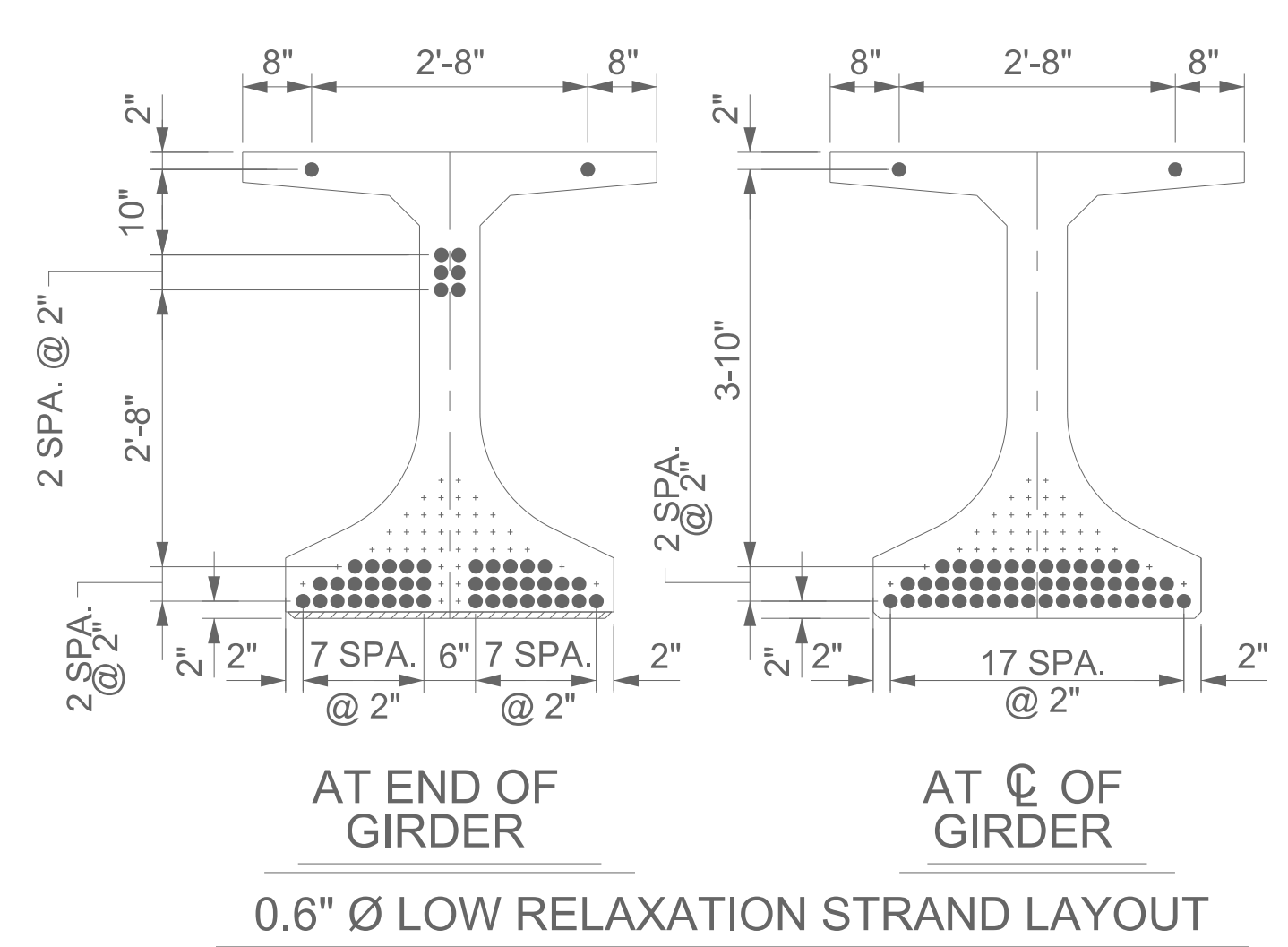
SECTION A-A

* FOR S11 BARS, SEE DETAIL "C" OF PRESTRESSED CONCRETE GIRDER CONTINUOUS FOR LIVE LOAD DETAILS SHEET



SECTION C-C

(S8, S9 AND S10 BARS NOT SHOWN)



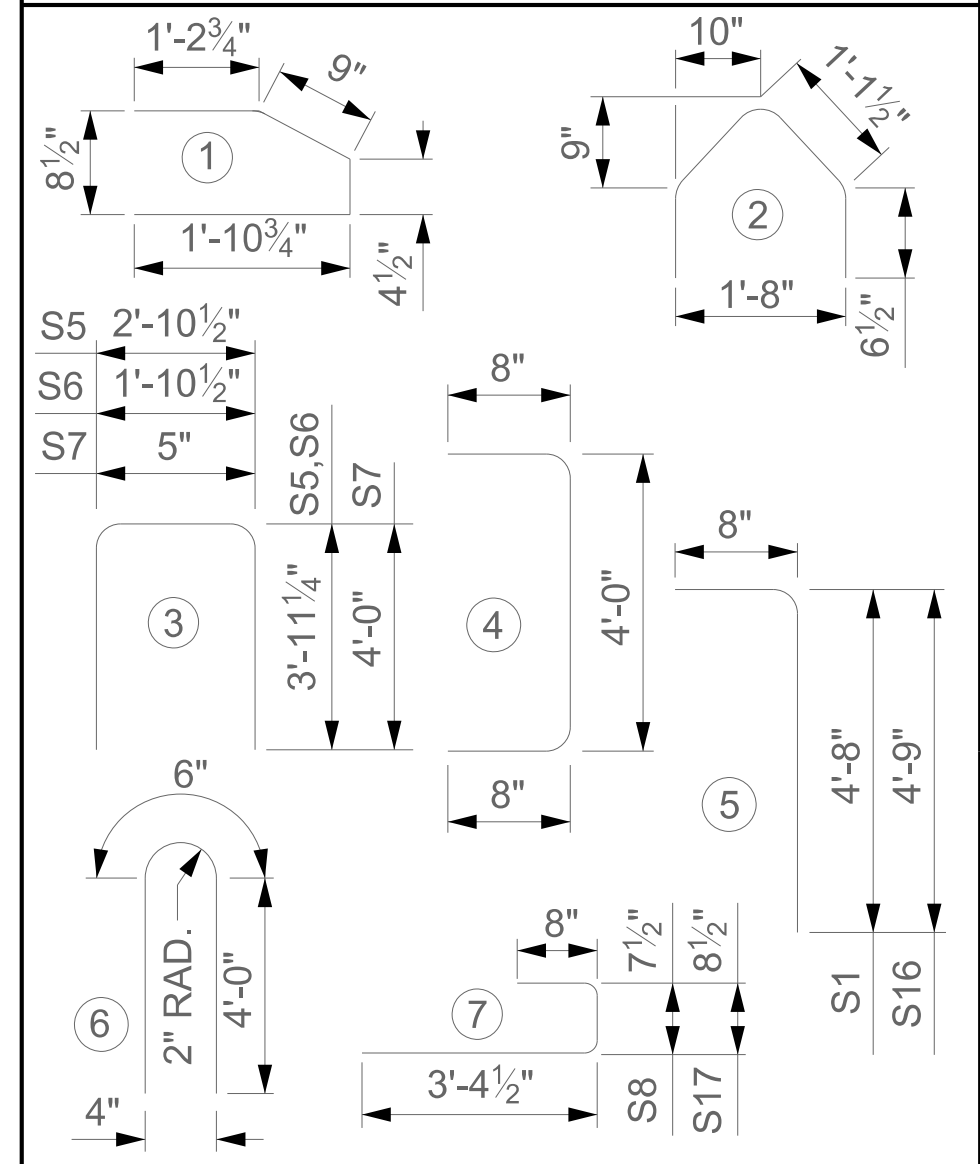
0.6" Ø LOW RELAXATION STRAND LAYOUT

DEBONDING LEGEND

● FULLY BONDED STRANDS

0.6"Ø L. R. GRADE 270 STRANDS					
AREA (SQUARE INCHES)	ULTIMATE STRENGTH (LBS. PER STRAND)	APPLIED PRESTRESS (LBS. PER STRAND)			
0.217	58,600	43,950			
REINFORCING STEEL FOR ONE GIRDER					
BAR NUMBER	SIZE	TYPE	LENGTH	WEIGHT	
S1	#5	5	5'-4"	645	
S2	#6	4	5'-4"	224	
S3	#3	2	3'-4"	43	
S4	#3	1	4'-3"	109	
S6	#5	3	9'-9"	20	
S7	#4	3	8'-5"	45	
S8	#5	7	4'-8"	565	
S10	#5	STR	3'-8"	203	
* S11	#6	STR	2'-10"	170	
S12	#5	6	8'-6"	35	
S13	#3	STR	2'-10"	2	
S14	#4	STR	8'-0"	27	
S16	#5	5	5'-5"	542	
S17	#5	7	4'-9"	476	

BAR TYPES



ALL BAR DIMENSIONS ARE OUT-TO-OUT

QUANTITIES FOR ONE GIRDER

REINFORCING STEEL	9000 PSI CONCRETE	0.6" Ø L.R. STRANDS
LB.	C.Y.	No.
3,106	29.4	48

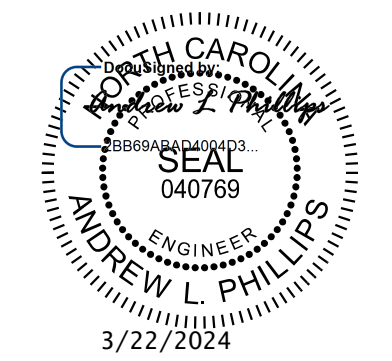
GIRDERS REQUIRED

NUMBER	LENGTH	TOTAL LENGTH
11	122'-5"	1,346'-7"

PROJECT NO. P-5720
 WAKE COUNTY
 STATION: 32+23.01 -L-

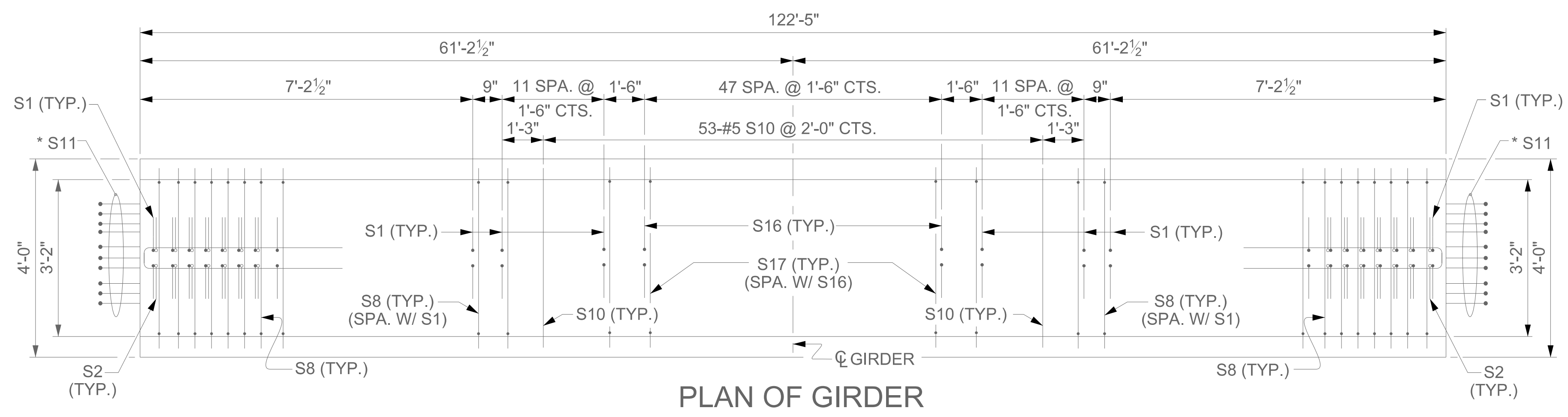
SHEET 1 OF 3

STATE OF NORTH CAROLINA
 DEPARTMENT OF TRANSPORTATION
 RALEIGH
 STANDARD
 54" FIB PRESTRESSED CONCRETE GIRDER CONTINUOUS FOR LIVE LOAD

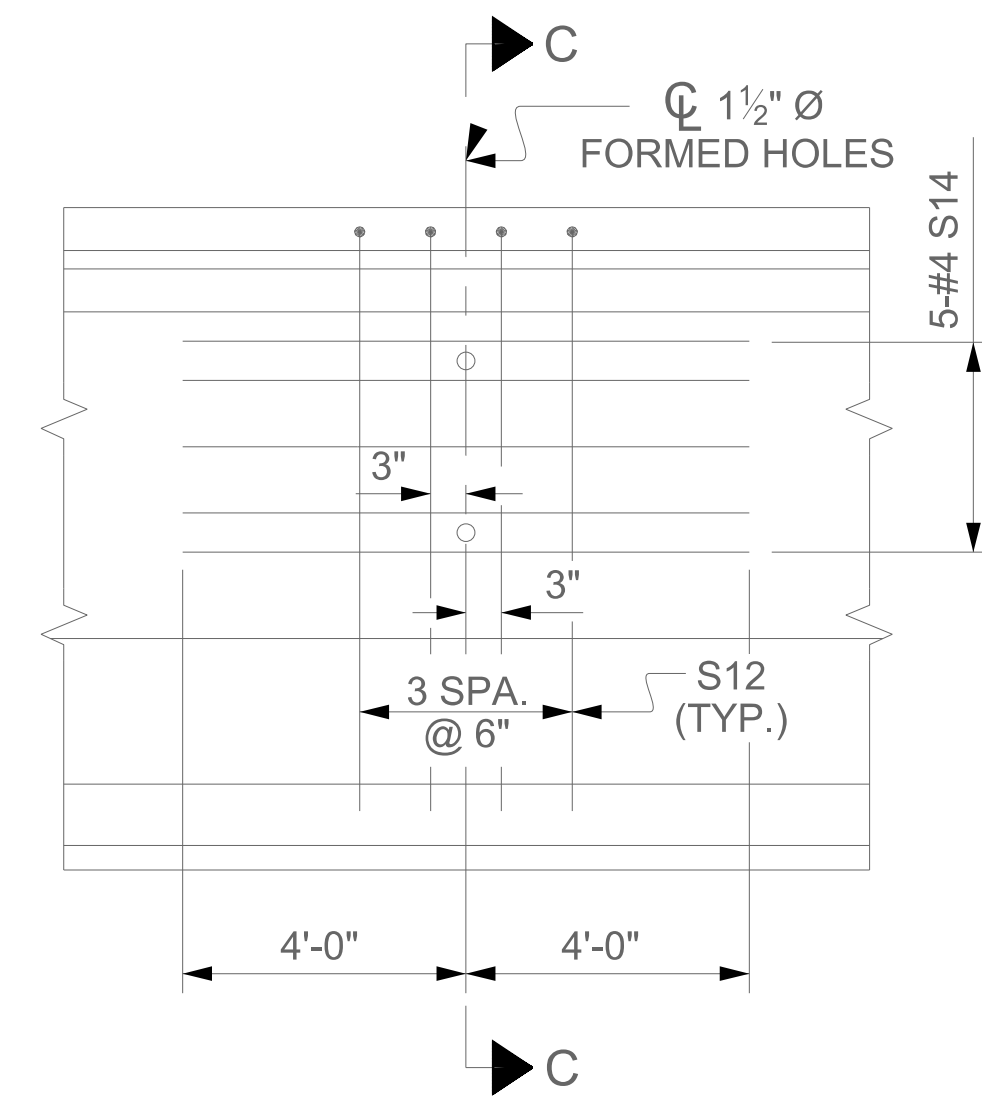


Kimley»Horn
 421 Fayetteville Street, Suite 600
 Raleigh, NC 27601-1772
 Phone (919) 677-2000
 NC LICENSE # F-102

DOCUMENT NOT CONSIDERED FINAL UNLESS ALL SIGNATURES COMPLETED

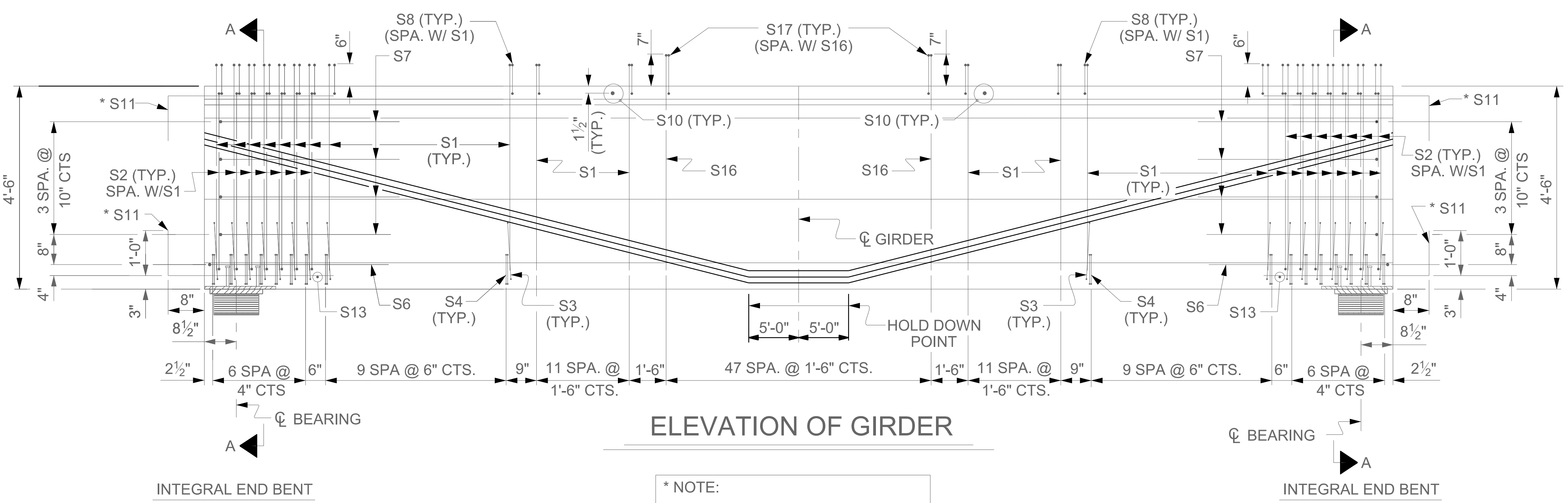


PLAN OF GIRDER



PARTIAL ELEVATION

SHOWING INTERMEDIATE STEEL DIAPHRAGM REINFORCING STEEL FOR GIRDER Nos. 1-11



ELEVATION OF GIRDER

* NOTE:
 S11 BARS SHALL BE BENT BEFORE SHIPMENT. HEAT BENDING SHALL NOT BE ALLOWED.

K:\RD1_Structures\Bridges\NC\101036002 - P-5720\Cad\Drawings\FIB20_SML_01_S1194.dgn

ASSEMBLED BY : D.D. LOWERY	DATE : 1/19
CHECKED BY : S.A. DENNEY	DATE : 1/19
DRAWN BY : BNB 09/21	
CHECKED BY : AAI 09/22	

REVISIONS				SHEET NO.
NO.	BY:	DATE:	NO.	DATE:
1			3	
2			4	

TOTAL SHEETS: 33