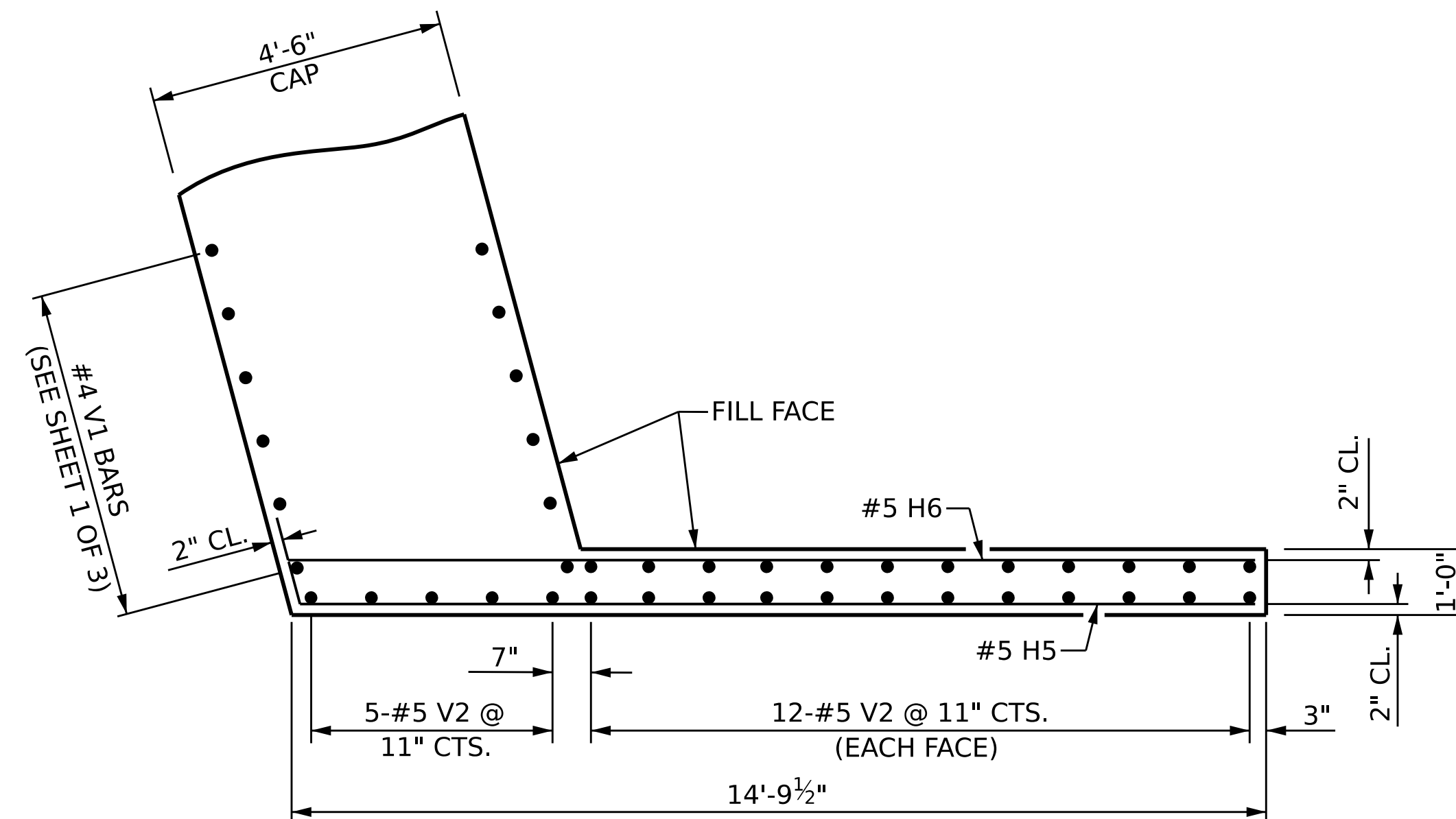
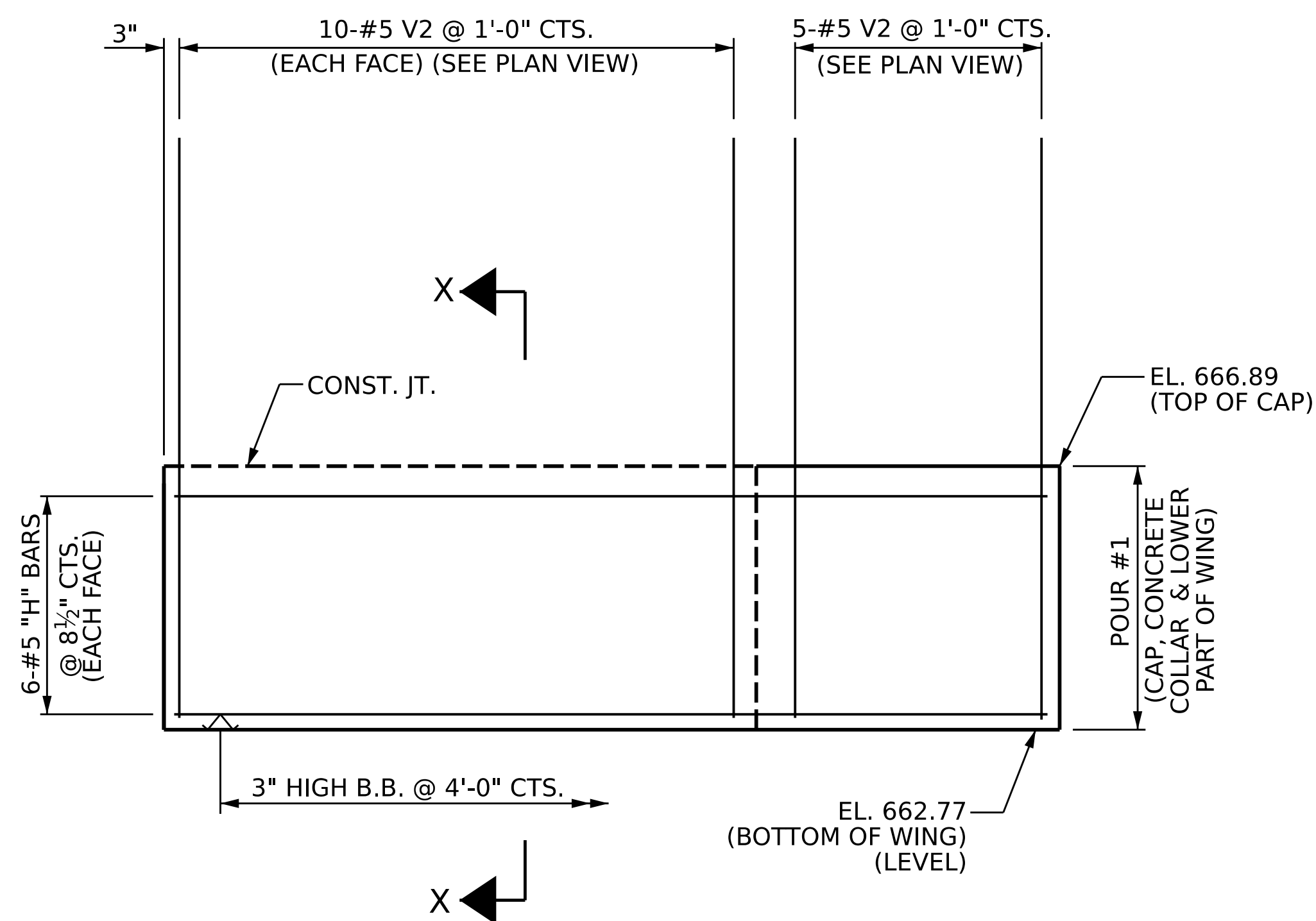


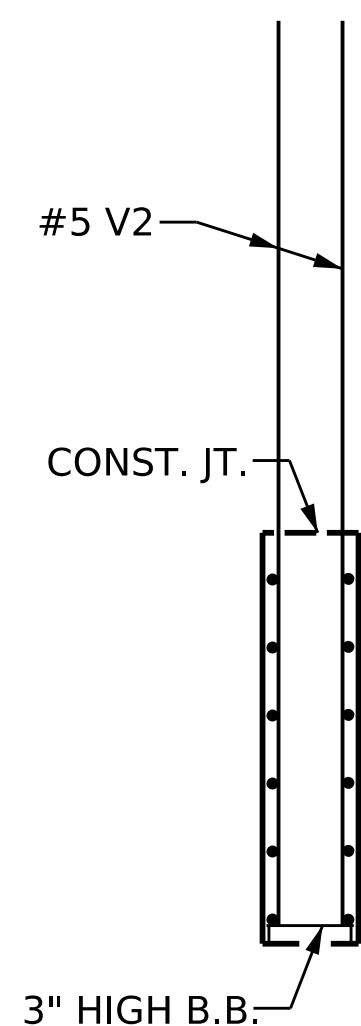
PLAN OF WING W1



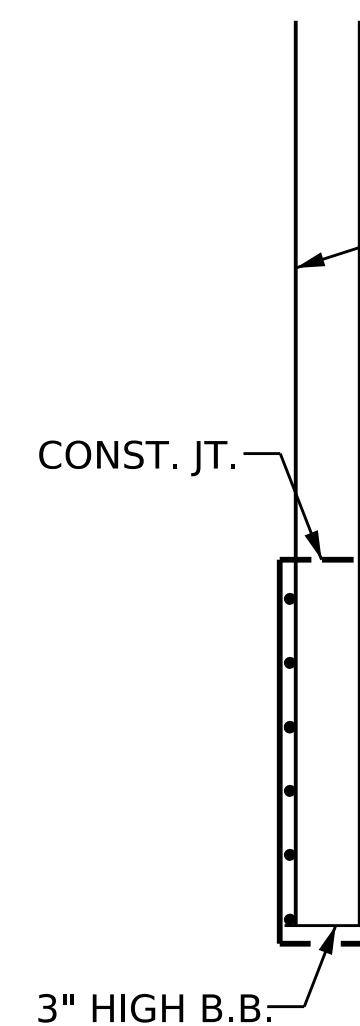
PLAN OF WING W2



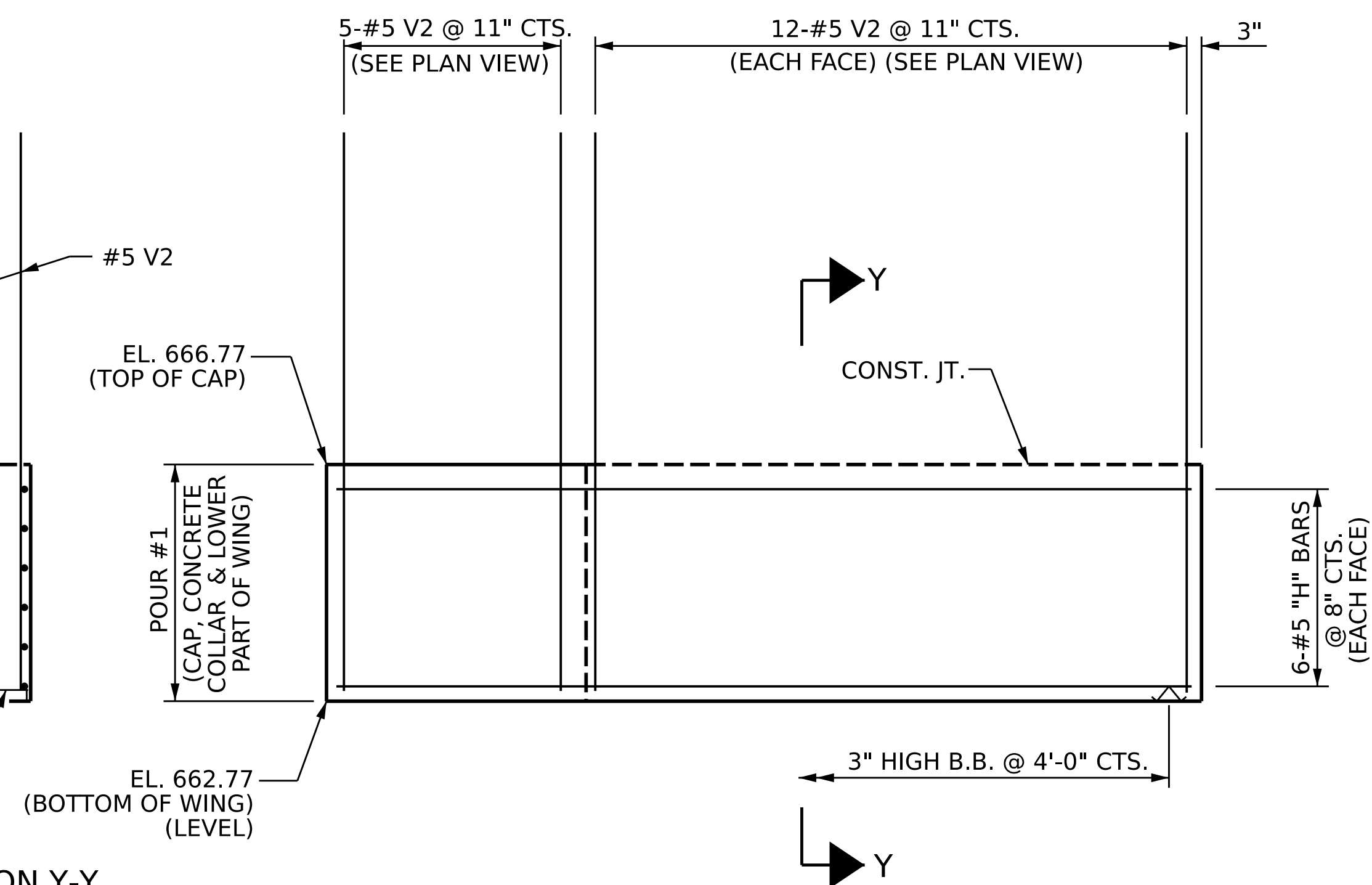
ELEVATION OF WING W1



SECTION X-X



SECTION Y-Y



ELEVATION OF WING W2

PROJECT NO. BR-0093
 ROCKINGHAM COUNTY
 STATION: 17+85.52 -L-

SHEET 2 OF 3



Designed by:
 Francesca Lea
 05/01/2024

STATE OF NORTH CAROLINA
 DEPARTMENT OF TRANSPORTATION
 RALEIGH
 SUBSTRUCTURE
 END BENT 2
 INTEGRAL

DRAWN BY : E. BAYISSA / Q.T. NGUYEN DATE : 11/2023
 CHECKED BY : F. LEA DATE : 12/2023
 DESIGN ENGINEER OF RECORD: E. BAYISSA DATE :

DOCUMENT NOT CONSIDERED
 FINAL UNLESS ALL
 SIGNATURES COMPLETED

REVISIONS						SHEET NO.
NO.	BY:	DATE:	NO.	BY:	DATE:	S-33
1			3			TOTAL SHEETS
2			4			36