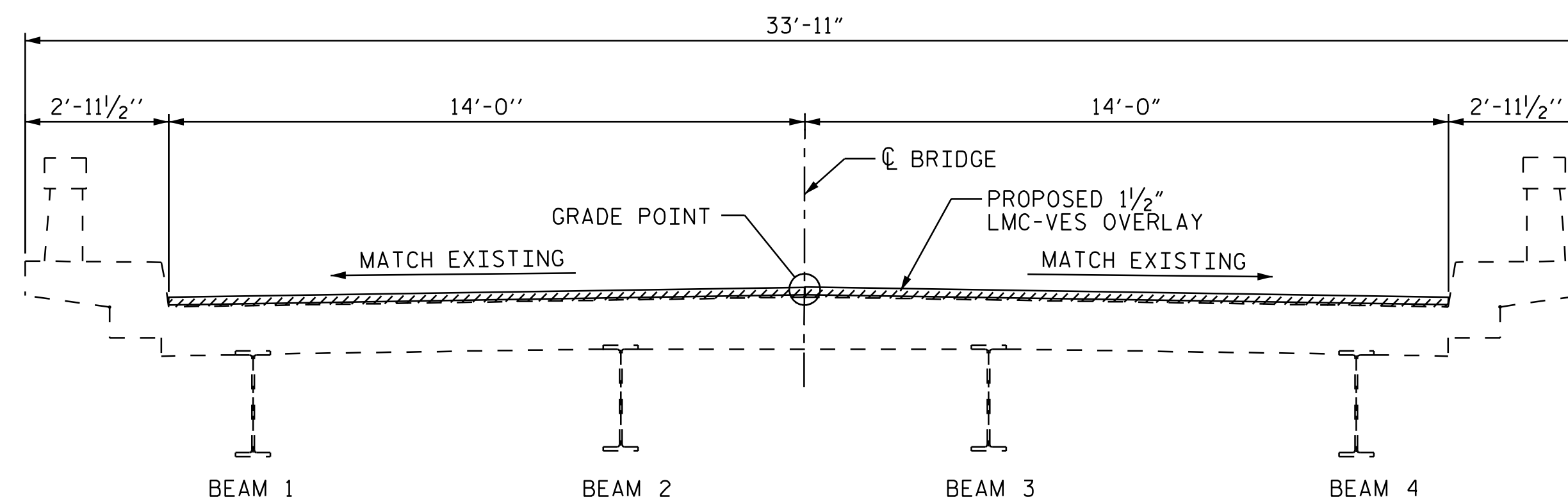


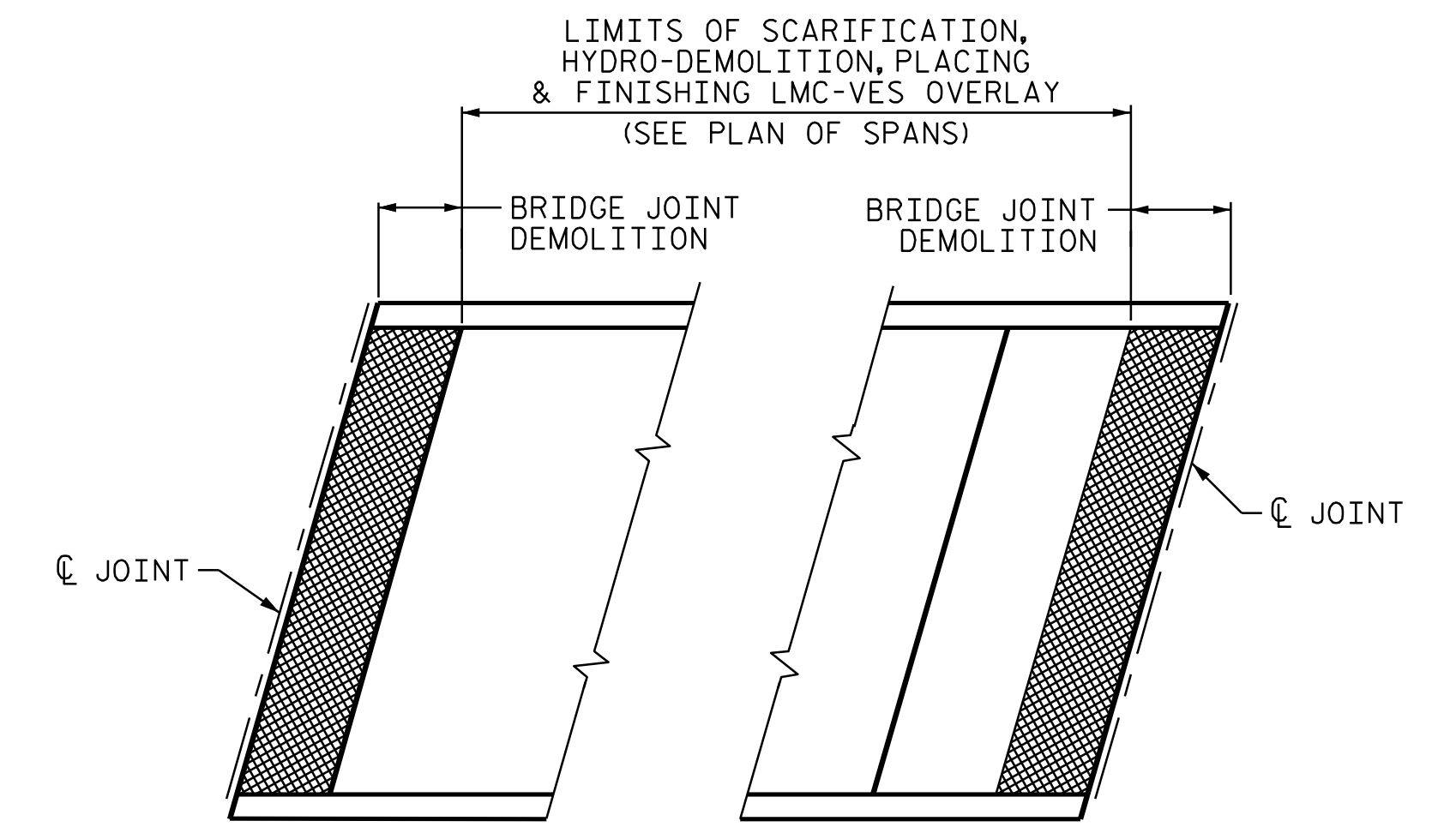
EXISTING TYPICAL SECTION



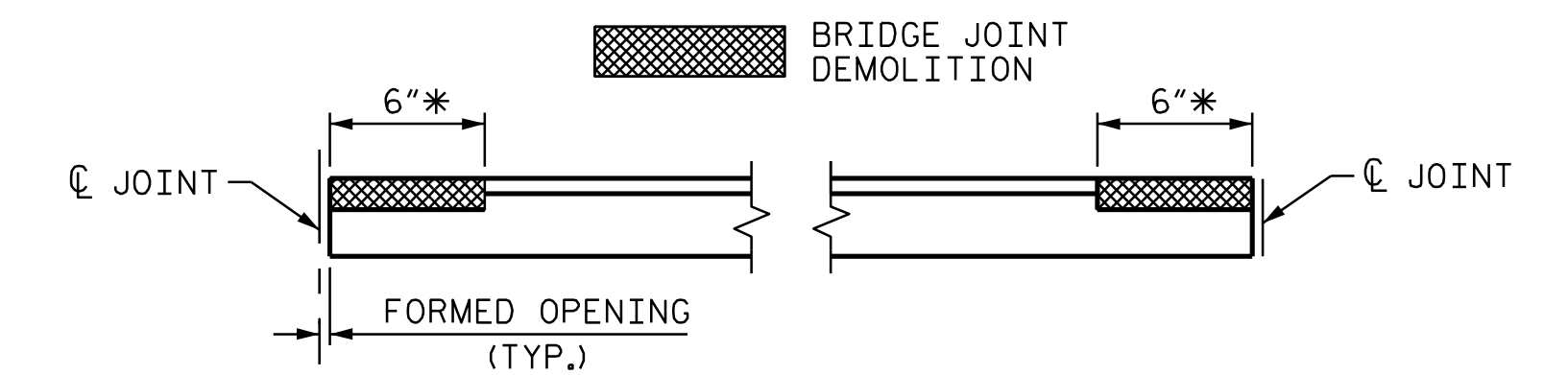
PROPOSED TYPICAL SECTION

NOTES

SEE TRANSPORTATION MANAGEMENT PLANS FOR LANE WIDTHS, SEQUENCING, AND OTHER TRAFFIC CONTROL MEASURES FOR STAGING OF OVERLAY SURFACE PREPARATION AND LATEX MODIFIED CONCRETE (LMC) BRIDGE DECK OVERLAY.



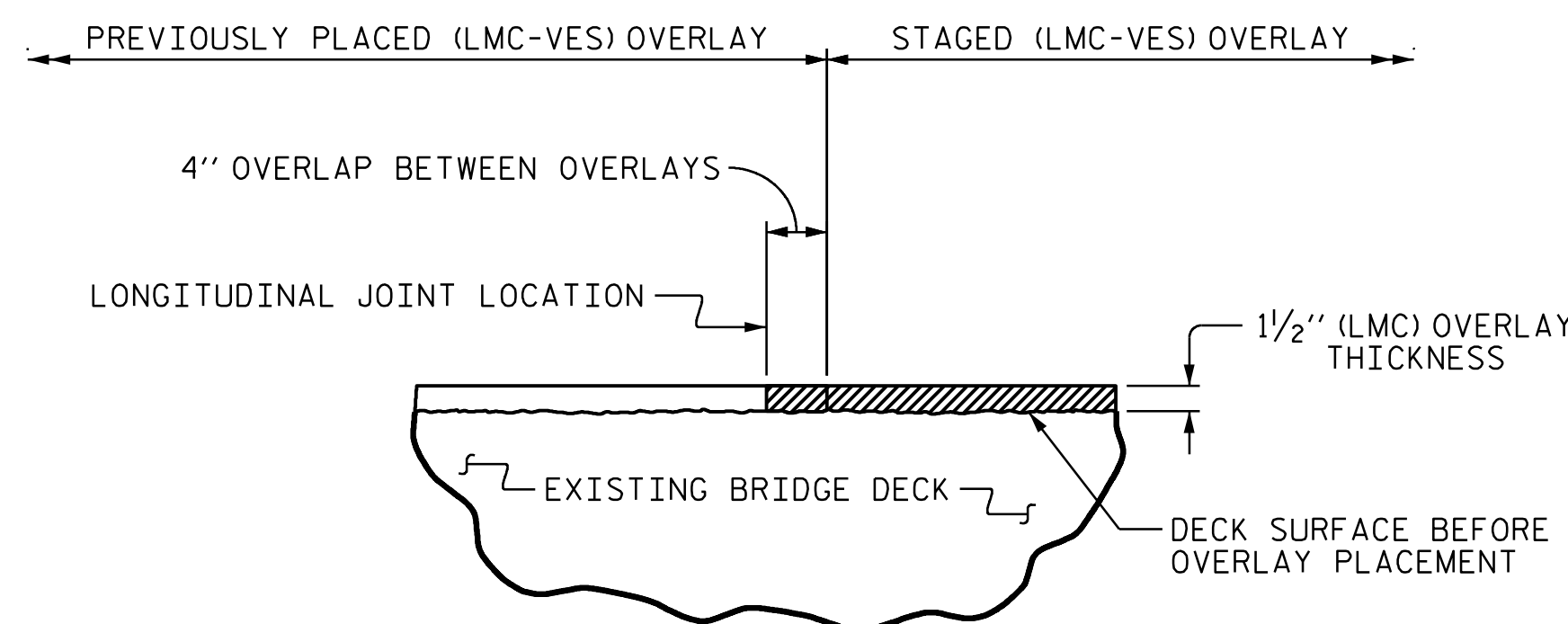
PLAN



* DIMENSION MEASURED PERPENDICULAR TO JOINT

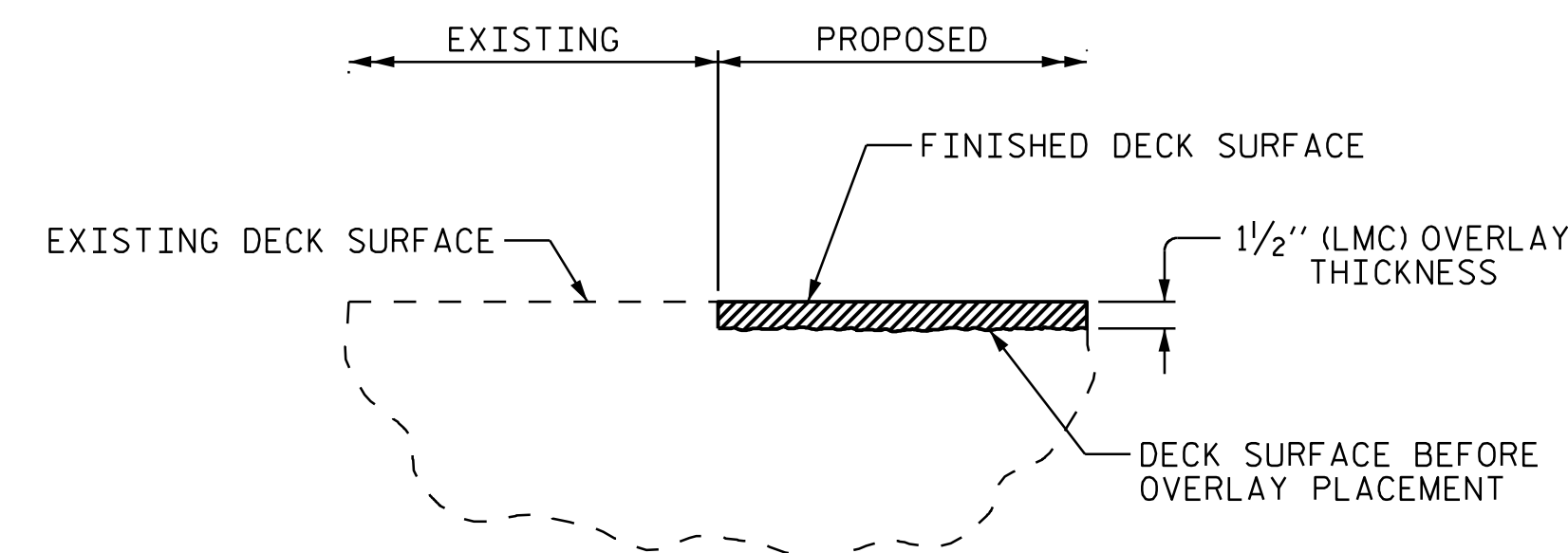
ELEVATION

PAY LIMITS FOR OVERLAY BID ITEMS



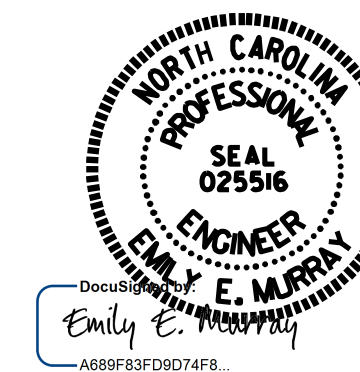
STAGED LATEX MODIFIED CONCRETE OVERLAY JOINT

(AS NEEDED)



DETAIL OF LATEX MODIFIED CONCRETE OVERLAY

PROJECT NO. 15BPR.130
MOORE COUNTY
 BRIDGE NO. 620072



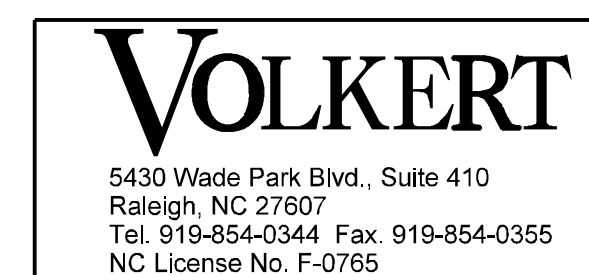
4/24/2024

STATE OF NORTH CAROLINA
 DEPARTMENT OF TRANSPORTATION
 RALEIGH

TYPICAL SECTION

DRAWN BY : T. MAZARURA DATE : 8/22
 CHECKED BY : D. A. GLADDEN DATE : 4/24

23-APR-2024 20:23
 *****DCN*****
 brent.barnhill AT C-1001568



DOCUMENT NOT CONSIDERED
 FINAL UNLESS ALL
 SIGNATURES COMPLETED

REVISIONS						SHEET NO.
NO.	BY:	DATE:	NO.	BY:	DATE:	TOTAL SHEETS
1			3			5-120
2			4			156