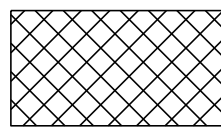
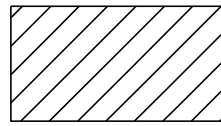



ELEVATION @ BENT 6 (SPAN F)

**AS-BUILT REPAIR QUANTITY TABLE**

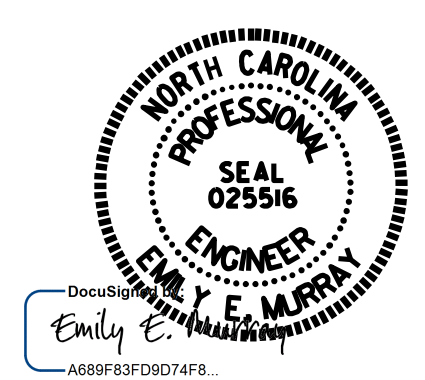
REPAIRS BENT 6	QUANTITIES			
	ESTIMATE		ACTUAL	
<b>SHOTCRETE REPAIRS</b>	AREA SF	VOLUME CF	AREA SF	VOLUME CF
CAP	0.0	0.0		
COLUMN	0.0	0.0		
<b>CONCRETE REPAIRS</b>	AREA SF	VOLUME CF	AREA SF	VOLUME CF
CAP	0.0	0.0		
COLUMN	0.0	0.0		
<b>EPOXY RESIN INJECTION</b>		LN. FT.		LN. FT.
CAP		0.0		
COLUMN		0.0		
<b>EPOXY COATING</b>		SQ. FT.		SQ. FT.
TOP OF BENT CAP		139.9		

VALUES IN CHART REPRESENT ESTIMATED REPAIR TOTALS AFTER REMOVAL OF UNSOUND CONCRETE, MIN. OF 1" BEHIND REBAR AND 2" MIN. CLEAR TO SAWCUT.

-  SHOTCRETE REPAIR
-  CONCRETE REPAIR
-  EPOXY RESIN INJECTION

PROJECT NO. 15BPR.130  
CHATHAM COUNTY  
 STATION: 180007

SHEET 1 OF 2



STATE OF NORTH CAROLINA  
 DEPARTMENT OF TRANSPORTATION  
 RALEIGH

**BENT 6**

**VOLKERT**  
 5430 Wade Park Blvd., Suite 410  
 Raleigh, NC 27607  
 Tel. 919-854-0344 Fax. 919-854-0355  
 NC License No. F-0765

4/24/2024

REVISIONS						SHEET NO.
NO.	BY:	DATE:	NO.	BY:	DATE:	S-30
1			3			TOTAL SHEETS
2			4			156

DOCUMENT NOT CONSIDERED FINAL UNLESS ALL SIGNATURES COMPLETED

DRAWN BY : S. C. NICHOLS DATE : 09/2022  
 CHECKED BY : P. N. HOLDER DATE : 03/2024