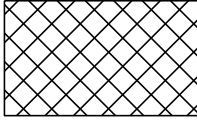
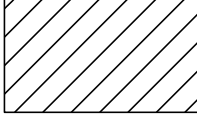



3.5 SF

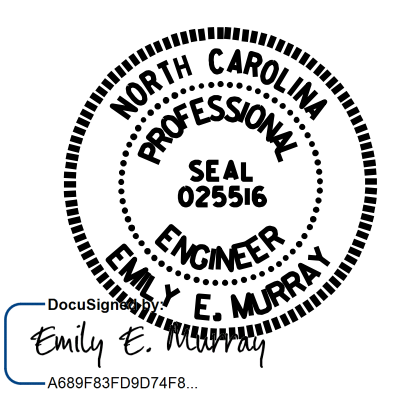
-  SHOTCRETE REPAIR
-  CONCRETE REPAIR
-  EPOXY RESIN INJECTION

PROJECT NO. 15BPR.130
CHATHAM COUNTY
 STATION: 180007

SHEET 2 OF 2

STATE OF NORTH CAROLINA
 DEPARTMENT OF TRANSPORTATION
 RALEIGH

BENT 2



4/24/2024

VOLKERT
 5430 Wade Park Blvd., Suite 410
 Raleigh, NC 27607
 Tel. 919-854-0344 Fax. 919-854-0355
 NC License No. F-0765

DOCUMENT NOT CONSIDERED
 FINAL UNLESS ALL
 SIGNATURES COMPLETED

REVISIONS						SHEET NO.
NO.	BY:	DATE:	NO.	BY:	DATE:	S-23
1			3			TOTAL SHEETS
2			4			156

DRAWN BY : S. C. NICHOLS DATE : 09/2022
 CHECKED BY : P. N. HOLDER DATE : 03/2024

ELEVATION @ BENT 2 (SPAN C)