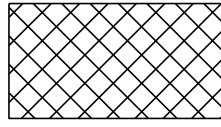
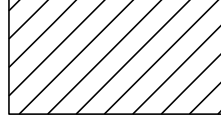



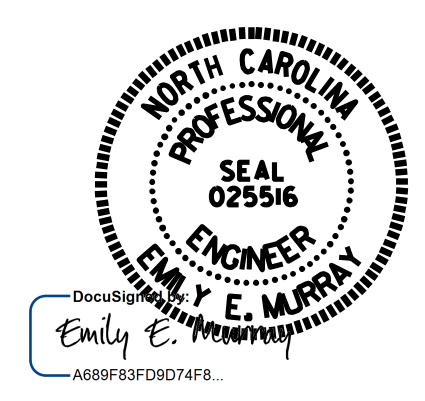
-  SHOTCRETE REPAIR
-  CONCRETE REPAIR
-  EPOXY RESIN INJECTION

PROJECT NO. 15BPR.130  
CHATHAM COUNTY  
 STATION: 180007

SHEET 2 OF 2

STATE OF NORTH CAROLINA  
 DEPARTMENT OF TRANSPORTATION  
 RALEIGH

**BENT 1**



**VOLKERT**  
 5430 Wade Park Blvd., Suite 410  
 Raleigh, NC 27607  
 Tel. 919-854-0344 Fax. 919-854-0355  
 NC License No. F-0765

4/24/2024

DOCUMENT NOT CONSIDERED  
 FINAL UNLESS ALL  
 SIGNATURES COMPLETED

DRAWN BY : S. C. NICHOLS DATE : 09/2022  
 CHECKED BY : P. N. HOLDER DATE : 03/2024

REVISIONS						SHEET NO.
NO.	BY:	DATE:	NO.	BY:	DATE:	S-21
1			3			TOTAL SHEETS
2			4			156