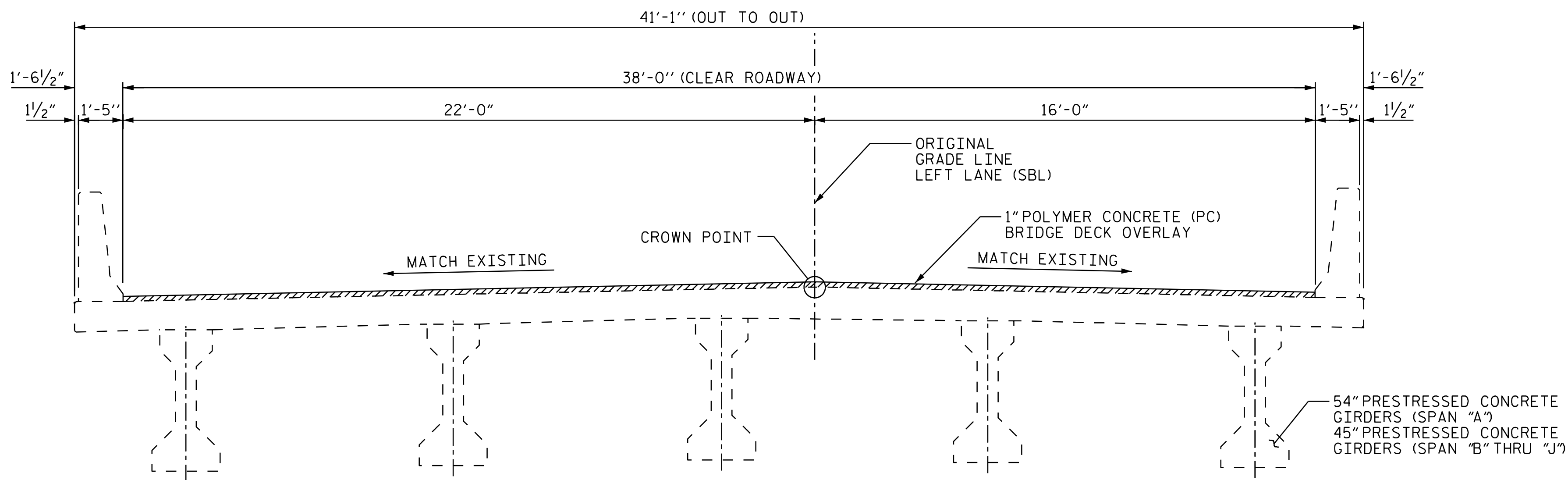


EXISTING TYPICAL SECTION

SPAN "A" THRU "J"

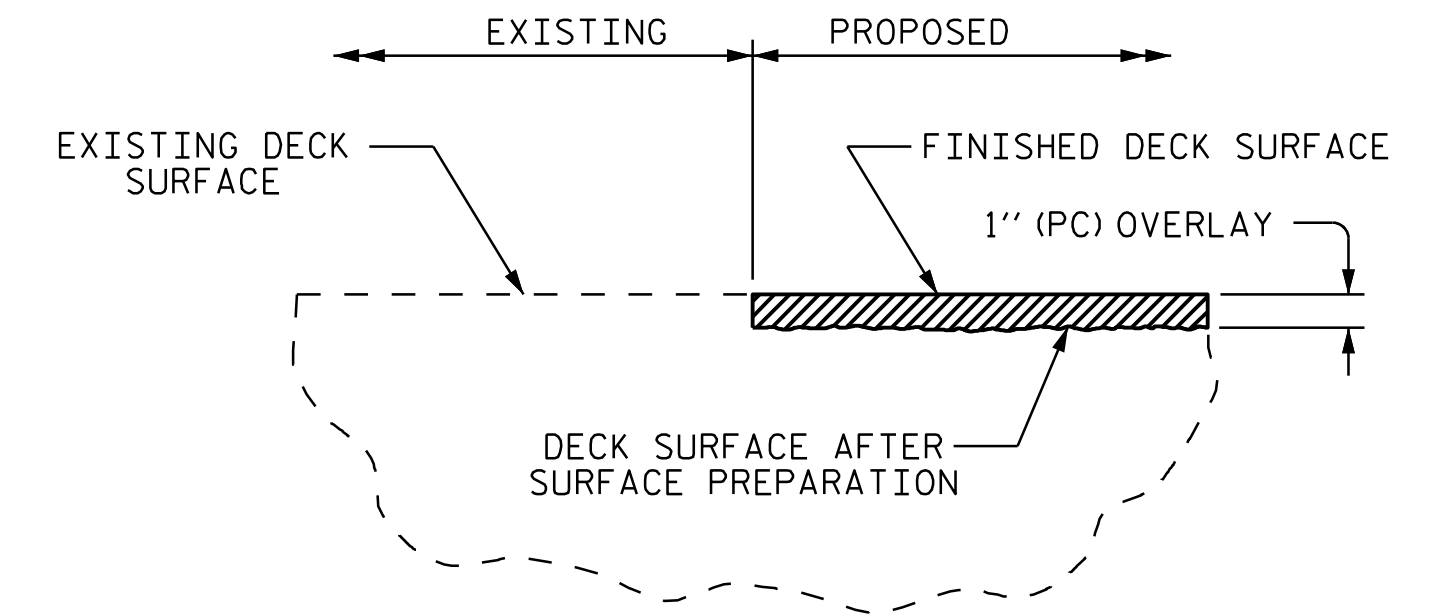


PROPOSED TYPICAL SECTION

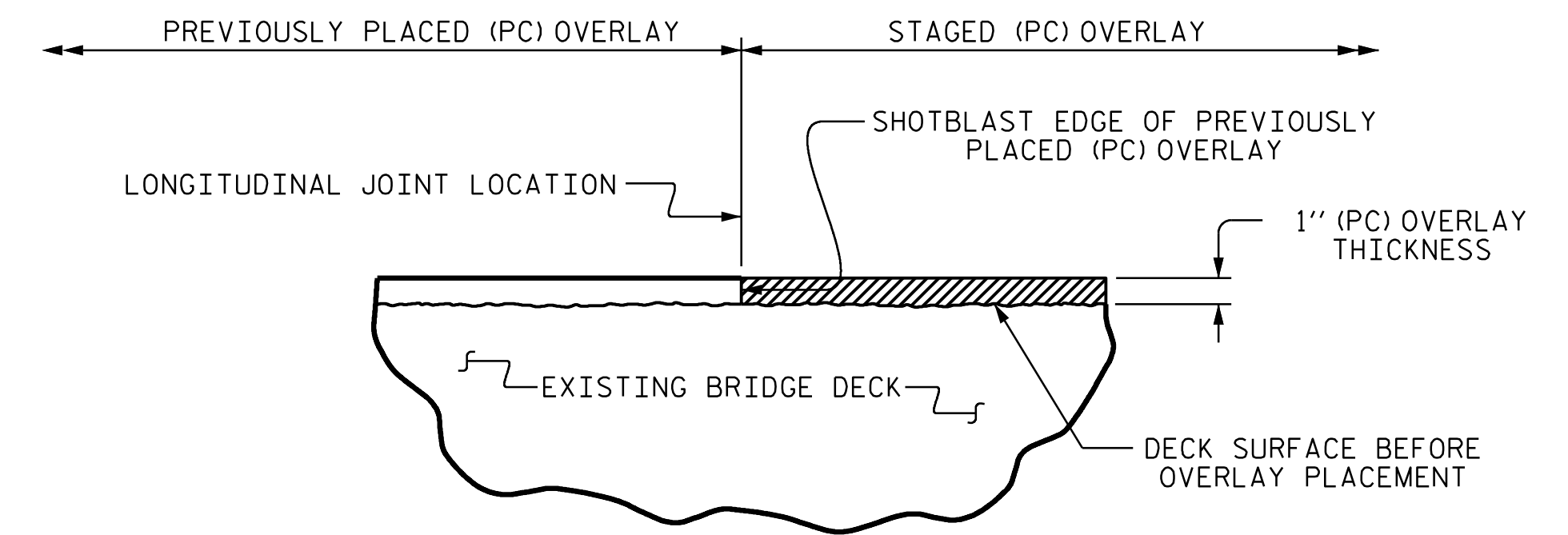
SPANS "A" THRU "J"

NOTES

SEE TRANSPORTATION MANAGEMENT PLANS FOR LANE WIDTHS, SEQUENCING AND OTHER TRAFFIC CONTROL MEASURES FOR STAGING OF OVERLAY SURFACE PREPARATION AND POLYMER CONCRETE PLACEMENT.

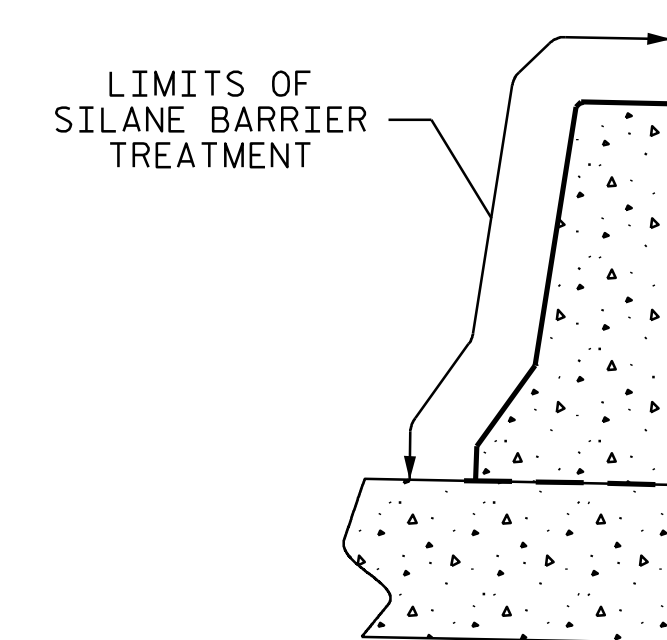


DETAIL OF POLYMER CONCRETE OVERLAY



STAGED POLYMER CONCRETE OVERLAY JOINT

(AS NEEDED)



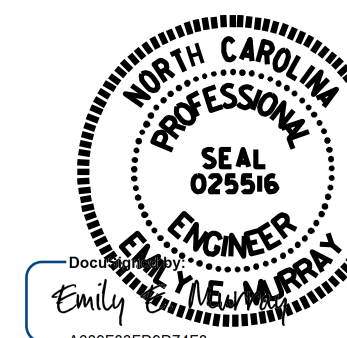
SILANE BARRIER RAIL TREATMENT

PROJECT NO. 15BPR.130
CHATHAM COUNTY
BRIDGE NO: 180007

SHEET 1 OF 3

STATE OF NORTH CAROLINA
DEPARTMENT OF TRANSPORTATION
RALEIGH

TYPICAL SECTION AND SURFACE PREPARATION DETAILS



4/24/2024

VOLKERT

5430 Wade Park Blvd., Suite 410
Raleigh, NC 27607
Tel: 919-854-0344 Fax: 919-854-0355
NC License No. F-0765

DOCUMENT NOT CONSIDERED FINAL UNLESS ALL SIGNATURES COMPLETED

REVISIONS						SHEET NO.
NO.	BY:	DATE:	NO.	BY:	DATE:	S-4
1			3			TOTAL SHEETS
2			4			156

DRAWN BY : T.MAZARURA DATE : 8/22
CHECKED BY : D.GLADDEN DATE : 8/22