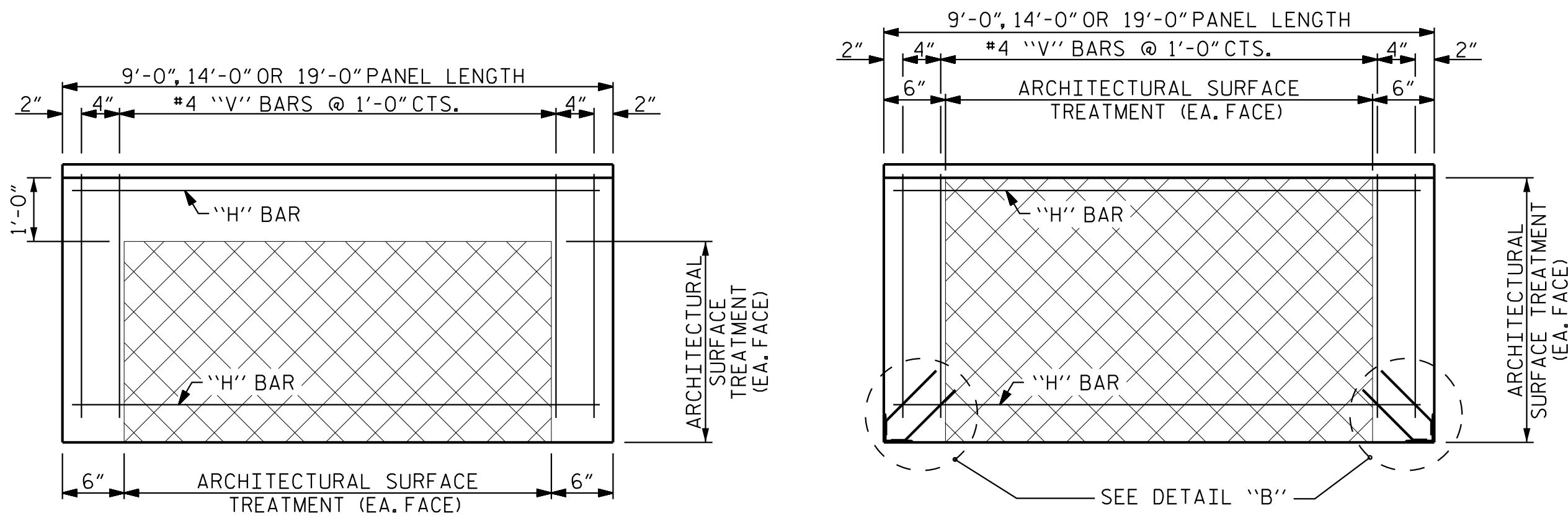


NOTES

FOR NOTES, SEE SHEET 1 OF 3.



FRONT ELEVATION OF UPPER PRECAST PANEL

FRONT ELEVATION OF BOTTOM PRECAST PANEL

QUANTITIES FOR ONE PRECAST PANEL (FOR 10'-0" PILE SPACING)

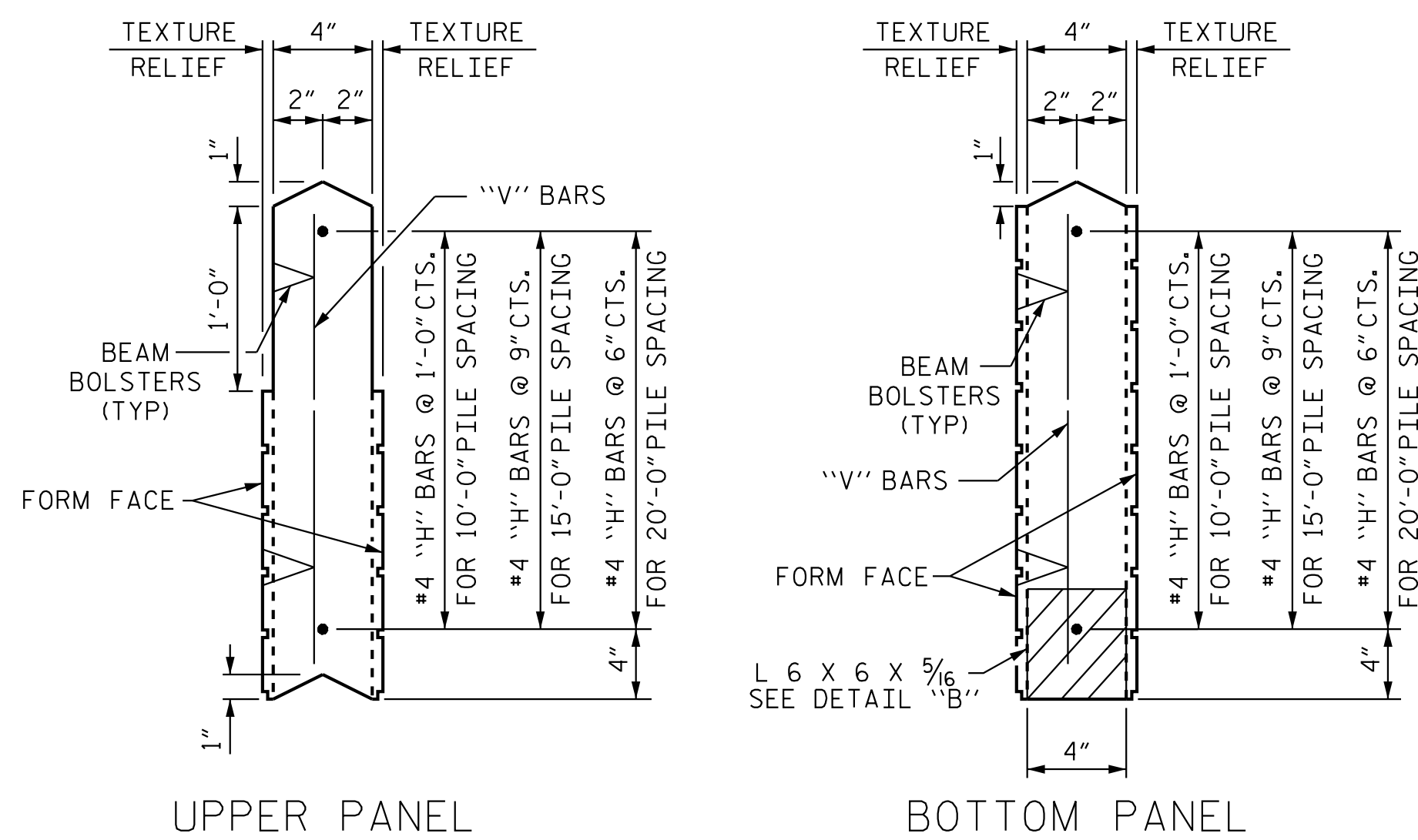
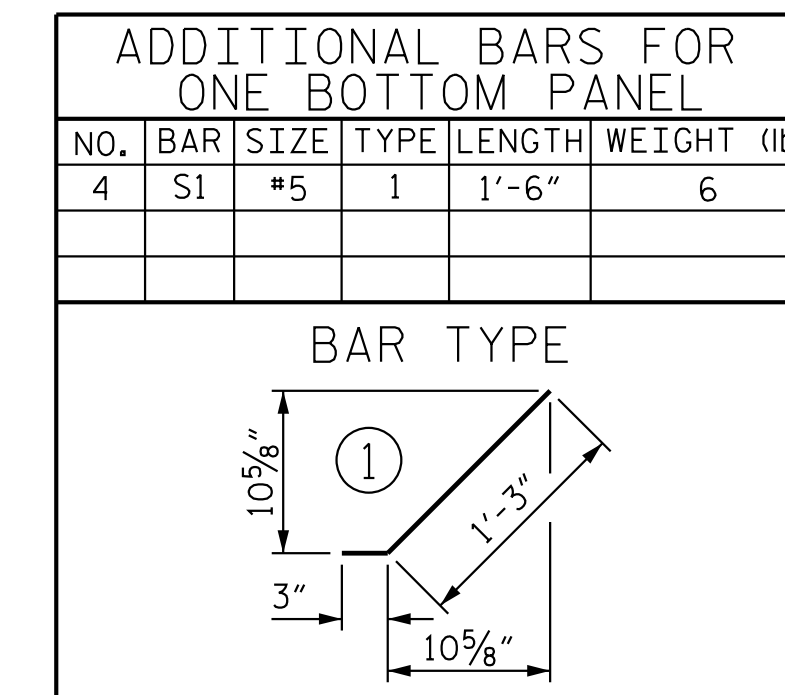
PANEL HEIGHT	CLASS AA CONCRETE C.Y.	BAR TYPES									
		HORIZONTAL					VERTICAL				
		NO.	BAR SIZE	TYPE	LENGTH	WEIGHT (lb)	NO.	BAR SIZE	TYPE	LENGTH	WEIGHT (lb)
2'-0"	0.22	3	H1 #4	STR	8'-8"	17	11	V1 #4	STR	1'-8"	12
3'-0"	0.33	4	H2 #4	STR	8'-8"	23	11	V2 #4	STR	2'-8"	20
4'-0"	0.44	5	H3 #4	STR	8'-8"	29	11	V3 #4	STR	3'-8"	27

QUANTITIES FOR ONE PRECAST PANEL (FOR 15'-0" PILE SPACING)

PANEL HEIGHT	CLASS AA CONCRETE C.Y.	BAR TYPES									
		HORIZONTAL					VERTICAL				
		NO.	BAR SIZE	TYPE	LENGTH	WEIGHT (lb)	NO.	BAR SIZE	TYPE	LENGTH	WEIGHT (lb)
3'-0"	0.52	5	H1 #4	STR	13'-8"	46	16	V1 #4	STR	2'-8"	29
4'-0"	0.69	6	H2 #4	STR	13'-8"	55	16	V2 #4	STR	3'-8"	39
5'-0"	0.86	7	H3 #4	STR	13'-8"	64	16	V3 #4	STR	4'-8"	50
6'-0"	1.04	8	H4 #4	STR	13'-8"	73	16	V4 #4	STR	5'-8"	61

QUANTITIES FOR ONE PRECAST PANEL (FOR 20'-0" PILE SPACING)

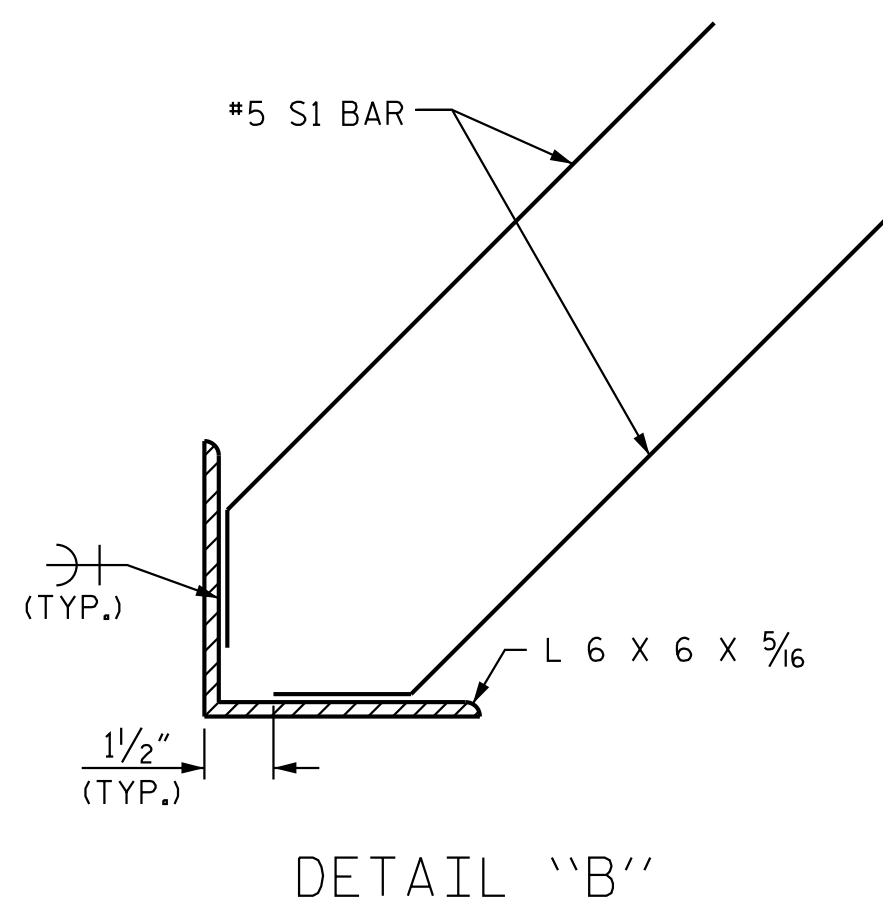
PANEL HEIGHT	CLASS AA CONCRETE C.Y.	BAR TYPES									
		HORIZONTAL					VERTICAL				
		NO.	BAR SIZE	TYPE	LENGTH	WEIGHT (lb)	NO.	BAR SIZE	TYPE	LENGTH	WEIGHT (lb)
3'-0"	0.70	7	H1 #4	STR	18'-8"	87	21	V1 #4	STR	2'-8"	37
4'-0"	0.94	9	H2 #4	STR	18'-8"	112	21	V2 #4	STR	3'-8"	51
5'-0"	1.17	11	H3 #4	STR	18'-8"	137	21	V3 #4	STR	4'-8"	65
6'-0"	1.41	13	H4 #4	STR	18'-8"	162	21	V4 #4	STR	5'-8"	79



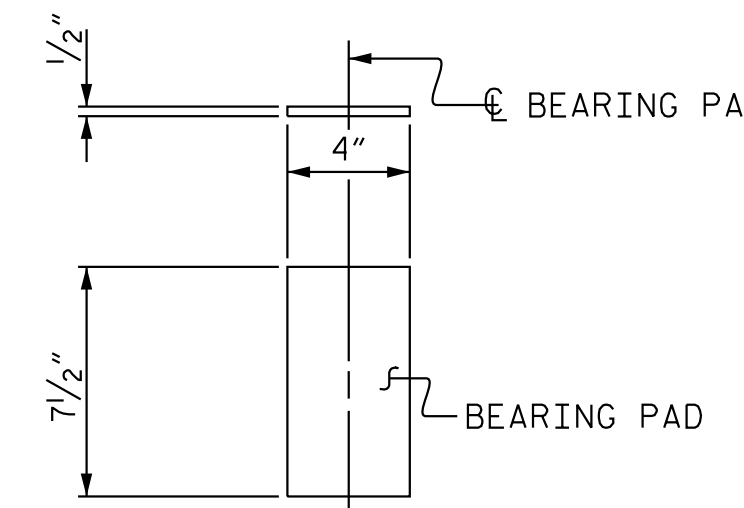
UPPER PANEL

BOTTOM PANEL

SECTION THROUGH PRECAST PANELS

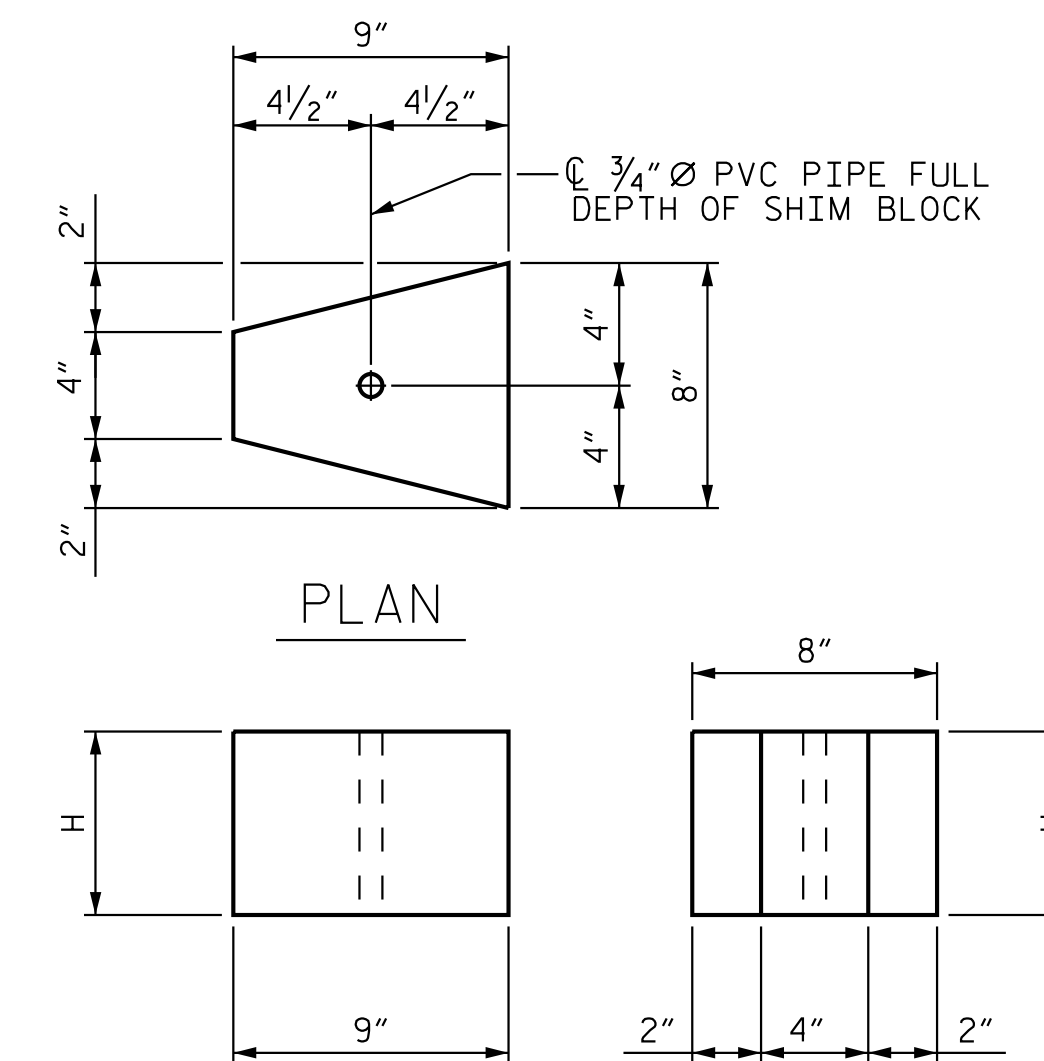


DETAIL "B"



ELASTOMERIC BEARING DETAILS

ELASTOMER IN BEARINGS SHALL BE 50 DUROMETER HARDNESS.

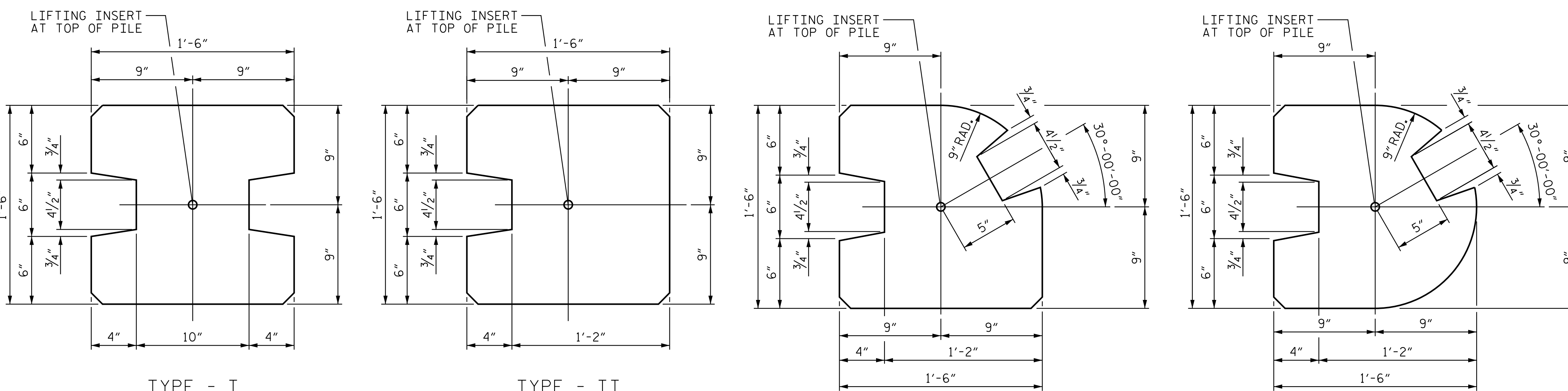


ELEVATION

END

CONCRETE SHIM BLOCK

H = 3', 6" or 1'-0"



TYPE - I (AREA = 1.9444 SQ. FT.)

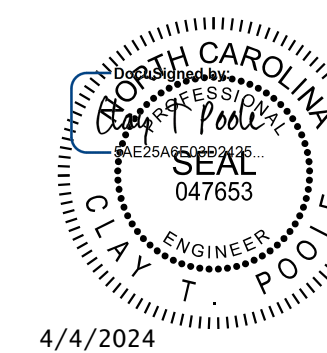
TYPE - II (AREA = 2.0903 SQ. FT.)

TYPE - III (AREA = 1.8336 SQ. FT.)

TYPE - III (ALT.) (AREA = 1.7163 SQ. FT.)

PILE DETAIL

(ALL CORNERS TO BE CHAMFERED 1")



4/4/2024

**Kimley»Horn**

421 Fayetteville Street, Suite 600  
Raleigh, NC 27601-1772  
Phone (919) 677-2000 NC LICENSE # F-0102

This document, together with the concepts and designs presented herein, is an integral part of the project. It is to be used only for the specific project and site. Any use, reproduction, or distribution of this document without the written authorization and approval of Kimley-Horn and Associates, Inc. shall be without liability to Kimley-Horn and Associates, Inc.

PROJECT NO. U-5108  
MECKLENBURG COUNTY  
STATION: 36+00.00 -L-  
10+00.00 -NB3-

SHEET 2 OF 3

STATE OF NORTH CAROLINA  
DEPARTMENT OF TRANSPORTATION  
RALEIGH  
STANDARD  
SOUND BARRIER WALL  
DETAILS  
No. -NB3-

REVISIONS						SHEET NO.
NO.	BY:	DATE:	NO.	BY:	DATE:	SBW-2
1			3			TOTAL SHEETS 3
2			4			

STD. NO. SBW2

**DOCUMENT NOT CONSIDERED FINAL UNLESS ALL SIGNATURES COMPLETED**

ASSEMBLED BY : D. D. LOWERY	DATE : 11/19	RWW/TMG
CHECKED BY : C. T. POOLE	DATE : 11/19	MAA/THC
DRAWN BY : MAA 6/11	REV. 1/15/14	MAA/THC
CHECKED BY : GM 6/11	REV. 10/17	MAA/THC
	REV. 5/18	MAA/THC