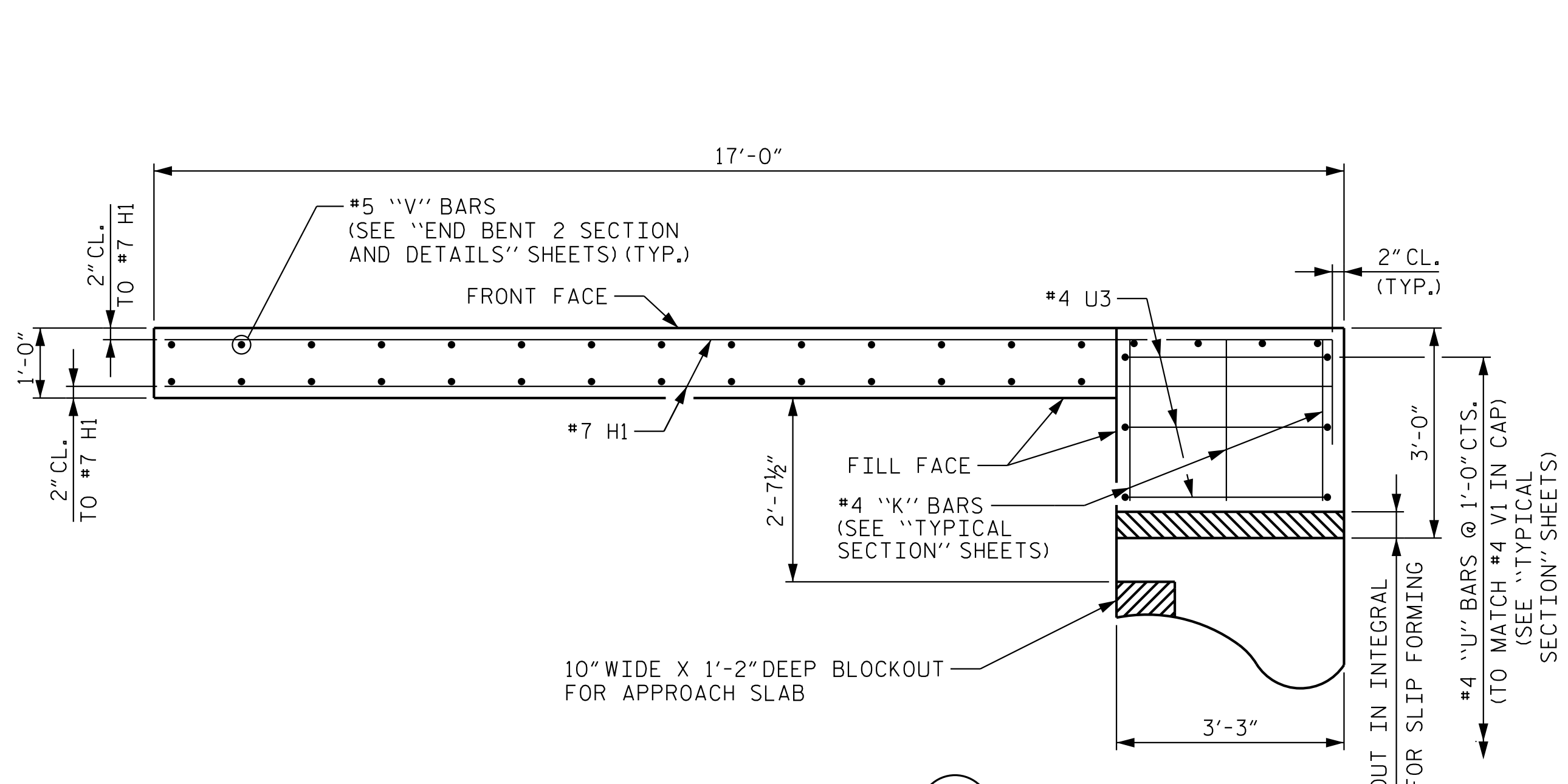
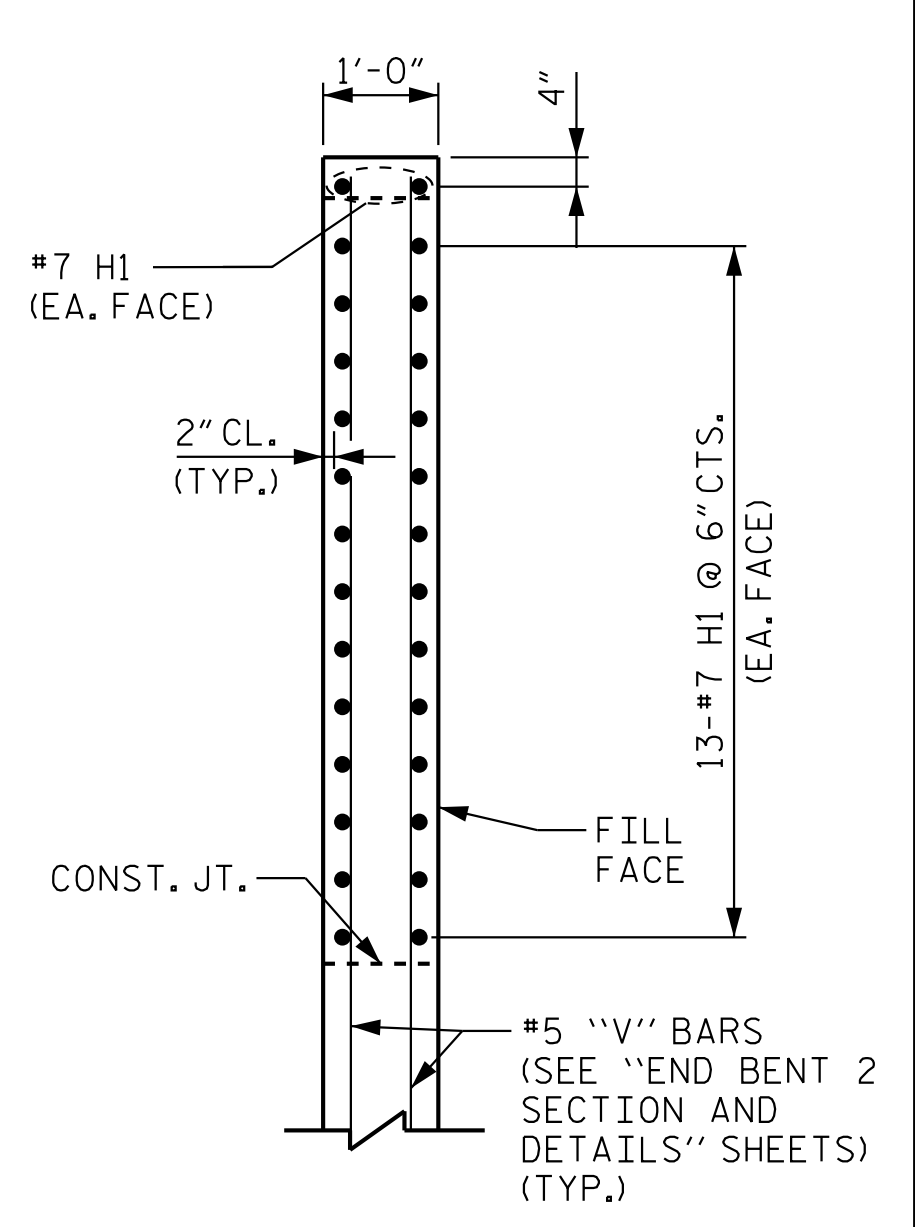


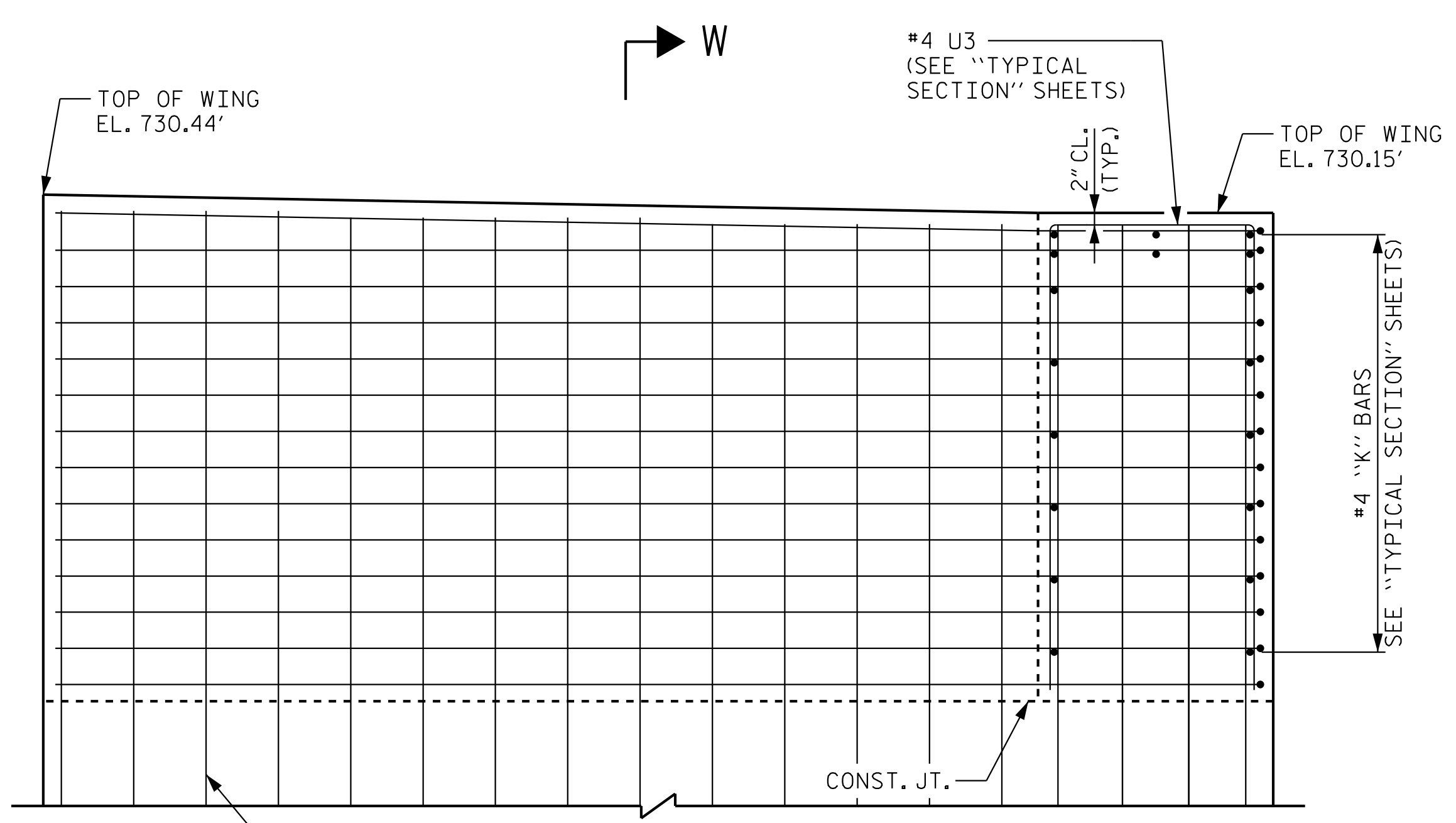
**PLAN OF LEFT WING (W3)**  
#4 U1 NOT SHOWN FOR CLARITY



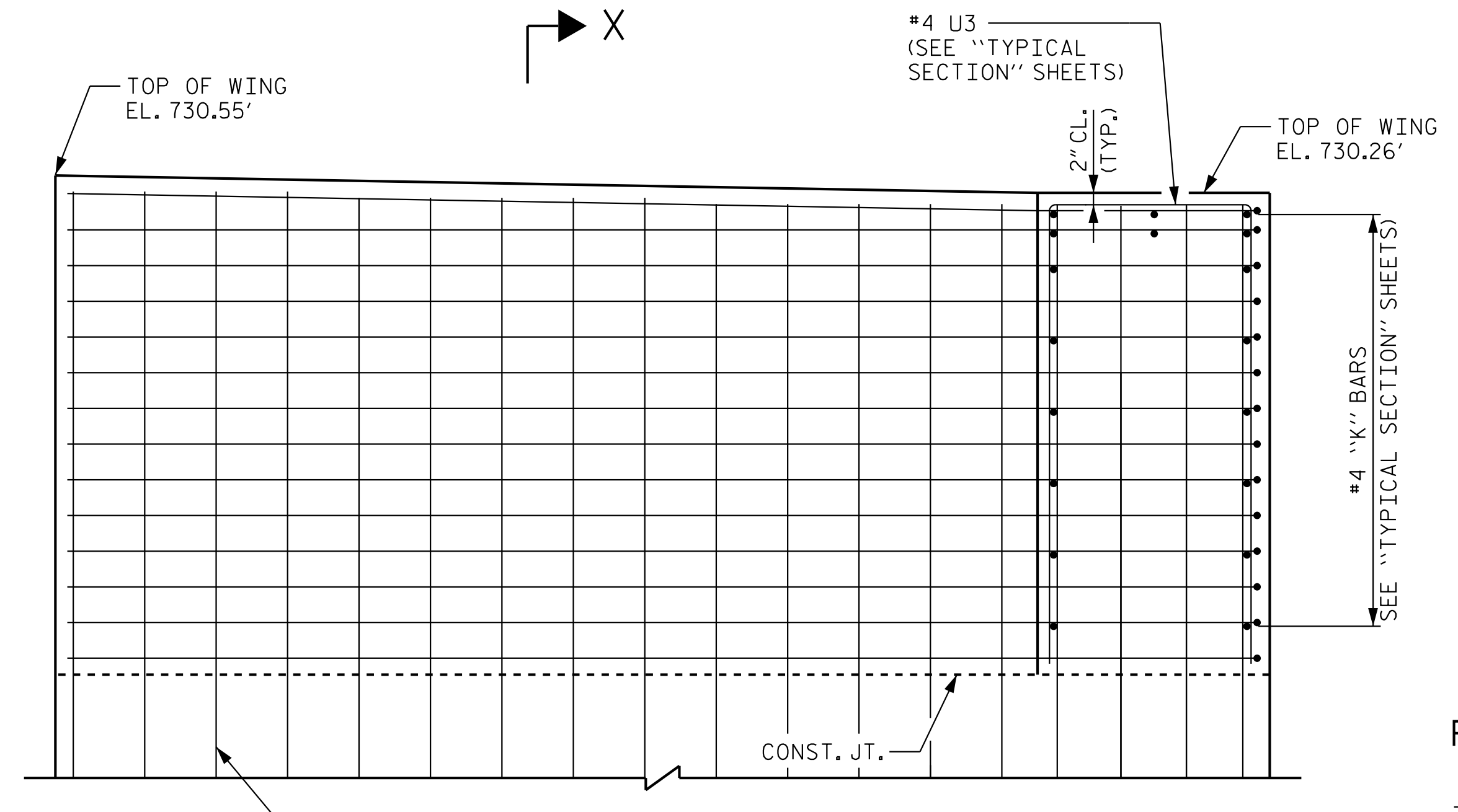
**PLAN OF RIGHT WING (W4)**  
#4 U1 NOT SHOWN FOR CLARITY



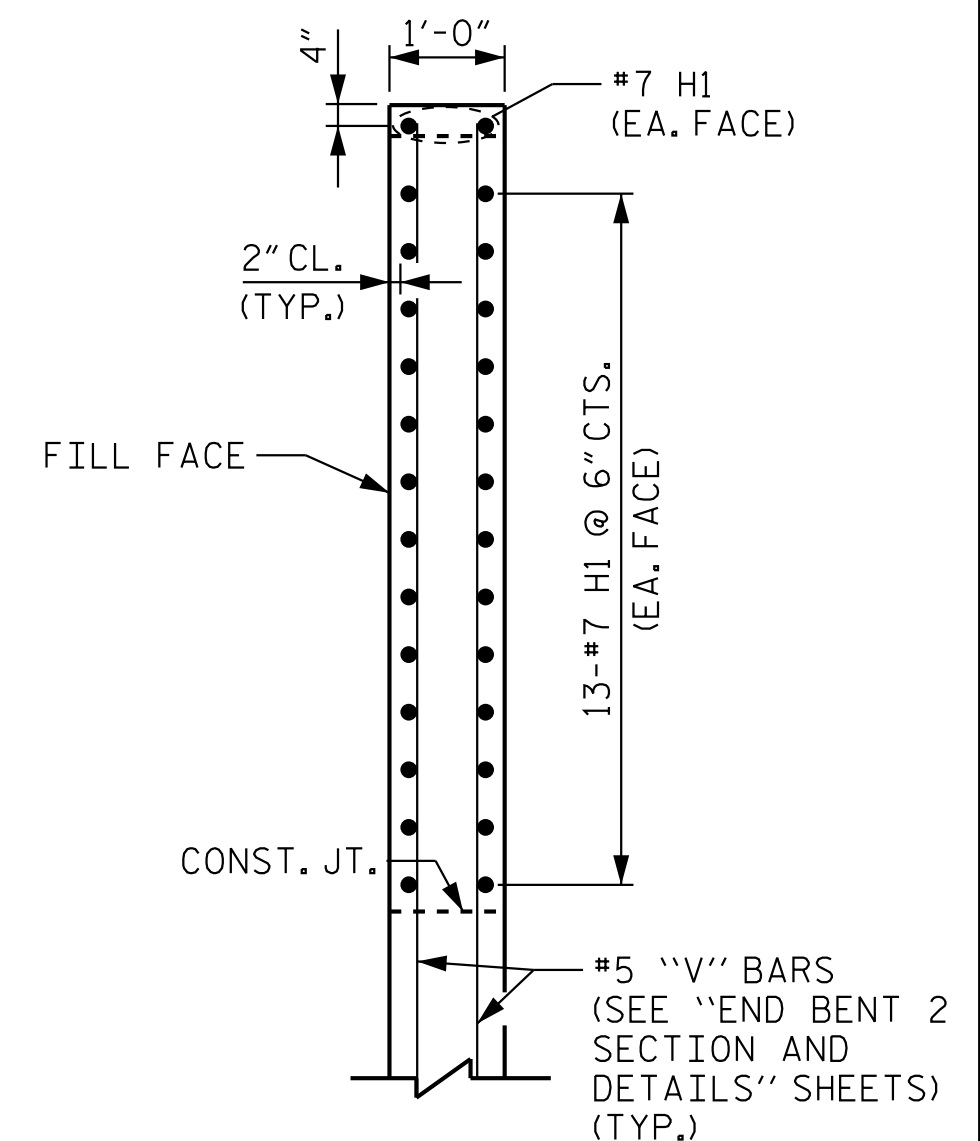
**SECTION X-X**



**ELEVATION OF LEFT WING (W3)**



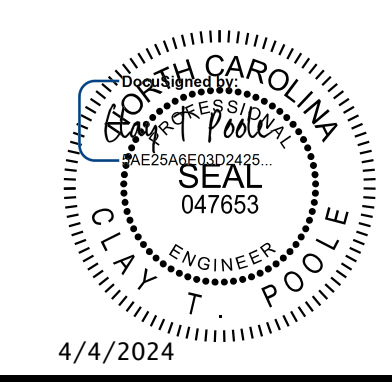
**ELEVATION OF RIGHT WING (W4)**



**SECTION W-W**

PROJECT NO. U-5108  
MECKLENBURG COUNTY  
 STATION: 74+01.00 -L-

SHEET 4 OF 4



**Kimley»Horn**  
 421 Fayetteville Street, Suite 600  
 Raleigh, NC 27601-1772  
 Phone (919) 677-2000  
 NC LICENSE # F-0102

STATE OF NORTH CAROLINA  
 DEPARTMENT OF TRANSPORTATION  
 RALEIGH  
 SUPERSTRUCTURE  
 PLAN OF SPAN  
 DETAILS @ END BENT 2

REVISIONS						SHEET NO.
NO.	BY:	DATE:	NO.	BY:	DATE:	S-11
1			3			TOTAL SHEETS
2			4			33

**UPPER WINGS AT INTEGRAL END BENT 2**  
 FOR LOWER WING REINFORCING AND DETAILS, SEE "END BENT 2 SECTION AND DETAILS" SHEETS

DRAWN BY: J. I. KIMBLE DATE: 10/2023  
 CHECKED BY: I. H. ORR DATE: 10/2023  
 DESIGN ENGINEER OF RECORD: C. T. POOLE DATE: 10/2023

**DOCUMENT NOT CONSIDERED FINAL  
 UNLESS ALL SIGNATURES COMPLETED**

This document, together with the concepts and designs presented herein, is an integral part of the project. It is intended only for the specific project and site. Any use without written authorization and adoption by Kimley-Horn and Associates, Inc. shall be without liability to Kimley-Horn and Associates, Inc.  
 Copyright Kimley-Horn and Associates, Inc. 2024

K:\BIDI\_Structures\Bridges\NC\01036359 - U-5108\Cad\Drawings\08\_SMU\_S4\_591403.dgn 2/28/2024