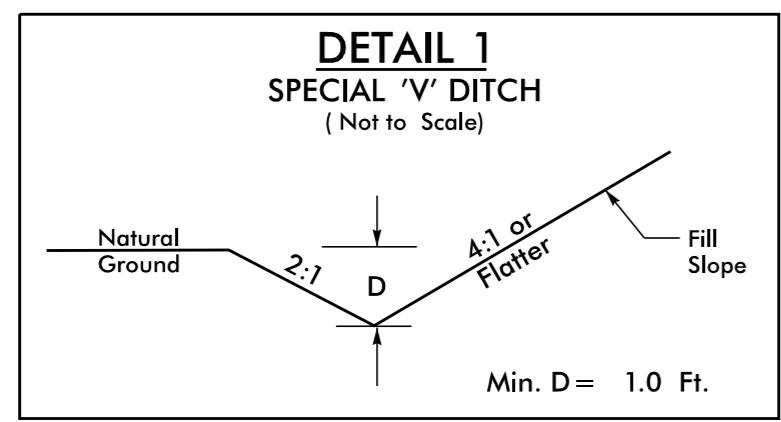
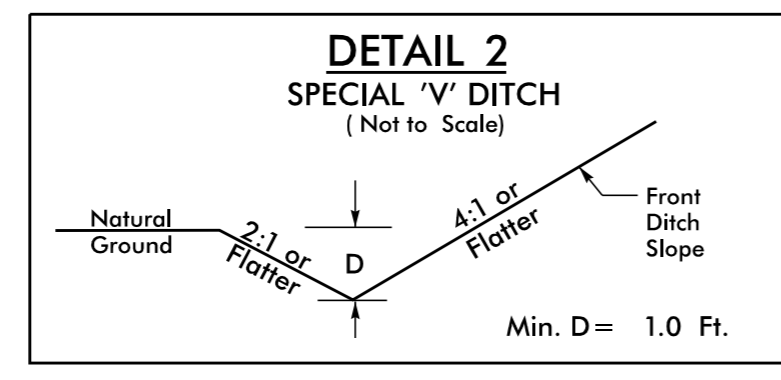


**Kimley Horn**  
 NC LICENSE #F-0102  
 200 SOUTH TRYON, SUITE 200  
 CHARLOTTE, N.C. 28202  
 RIGHT-OF-WAY REV.  
 CONST. REV.

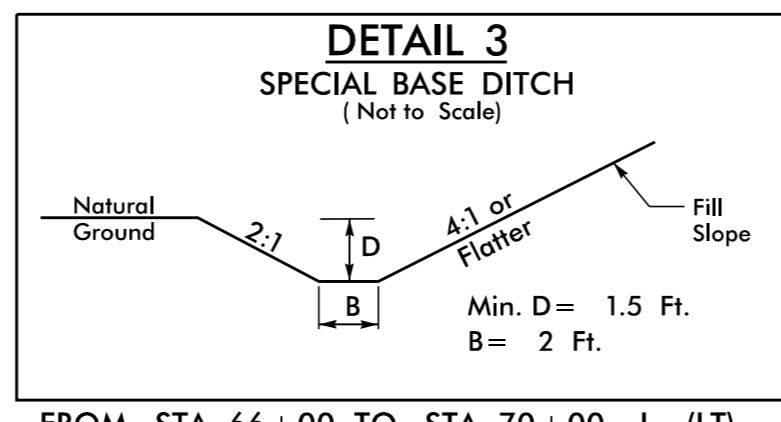
PROJECT REFERENCE NO. U-5108	SHEET NO. 2D-1
ROADWAY DESIGN ENGINEER	HYDRAULICS ENGINEER
DocuSign 4/12/2024	DocuSign 4/12/2024
<b>DOCUMENT NOT CONSIDERED FINAL UNLESS ALL SIGNATURES COMPLETED</b>	



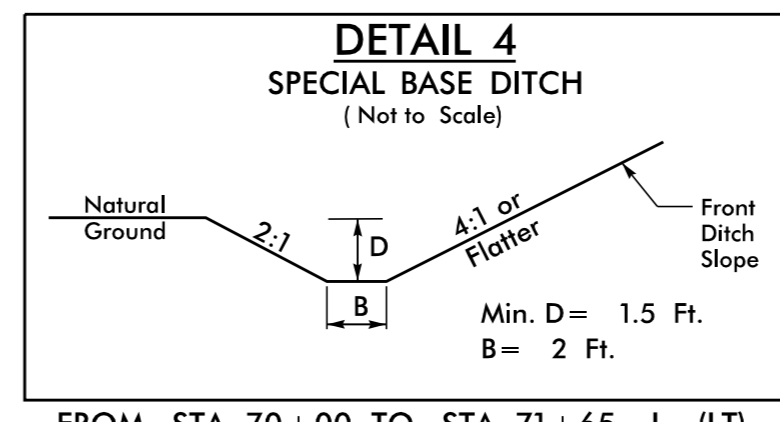
FROM STA. 30+00 TO STA. 30+25 -L- (RT)  
 FROM STA. 39+50 TO STA. 45+66 -L- (RT)  
 FROM STA. 45+66 TO STA. 48+50 -L- (RT)  
 FROM STA. 55+00 TO STA. 56+50 -L- (RT)  
 FROM STA. 61+00 TO STA. 63+50 -L- (LT)  
 FROM STA. 76+50 TO STA. 80+50 -L- (LT)  
 FROM STA. 81+00 TO STA. 82+70 -L- (LT)  
 FROM STA. 82+70 TO STA. 83+50 -L- (LT)  
 FROM STA. 83+50 TO STA. 85+16 -L- (LT)  
 FROM STA. 85+16 TO STA. 90+00 -L- (LT)  
 FROM STA. 18+00 TO STA. 19+12 -L- (RT)  
 FROM STA. 6+00 TO STA. 8+46 -Y6- (LT)  
 FROM STA. 7+00 TO STA. 8+65 -Y6- (RT)  
 FROM STA. 13+50 TO STA. 14+75 -Y6- (RT)



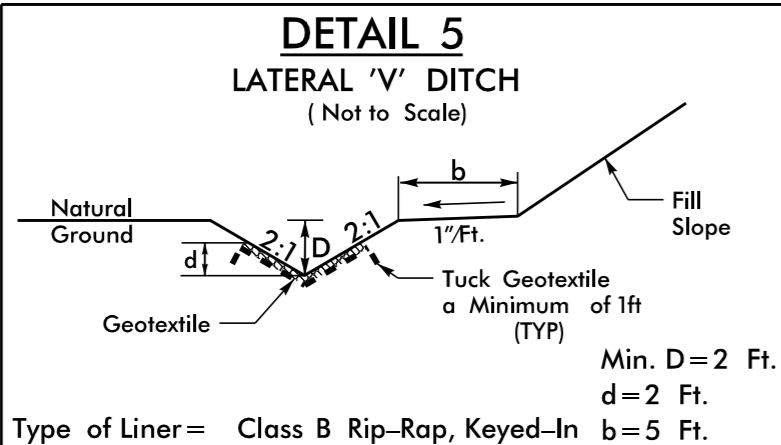
FROM STA. 26+27 TO STA. 28+00 -L- (RT)  
 FROM STA. 56+50 TO STA. 58+50 -L- (RT)  
 FROM STA. 59+50 TO STA. 61+00 -L- (LT)  
 FROM STA. 63+50 TO STA. 66+00 -L- (LT)  
 FROM STA. 67+50 TO STA. 71+50 -L- (RT)



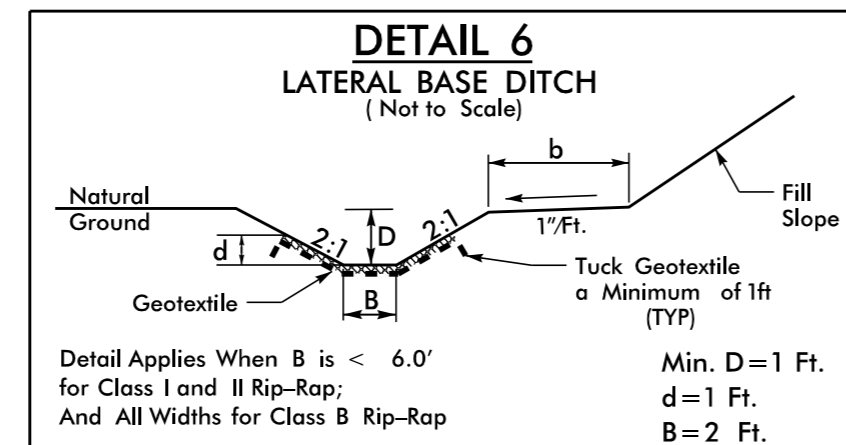
FROM STA. 66+00 TO STA. 70+00 -L- (LT)



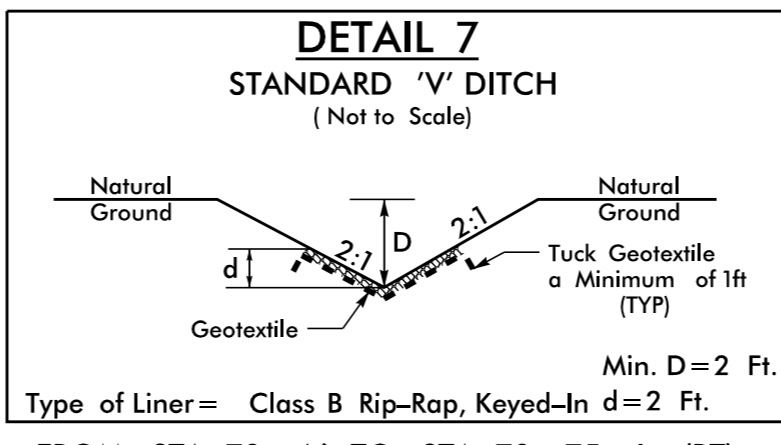
FROM STA. 70+00 TO STA. 71+65 -L- (LT)



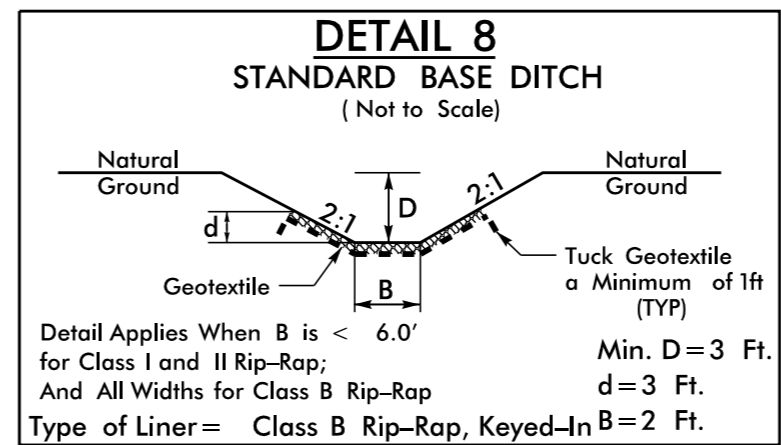
FROM STA. 71+50 TO STA. 73+46 -L- (RT)



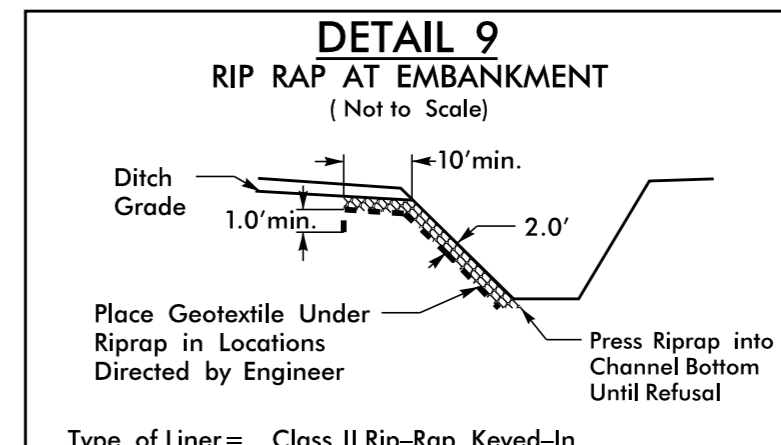
FROM STA. 71+65 TO STA. 73+46 -L- (LT)



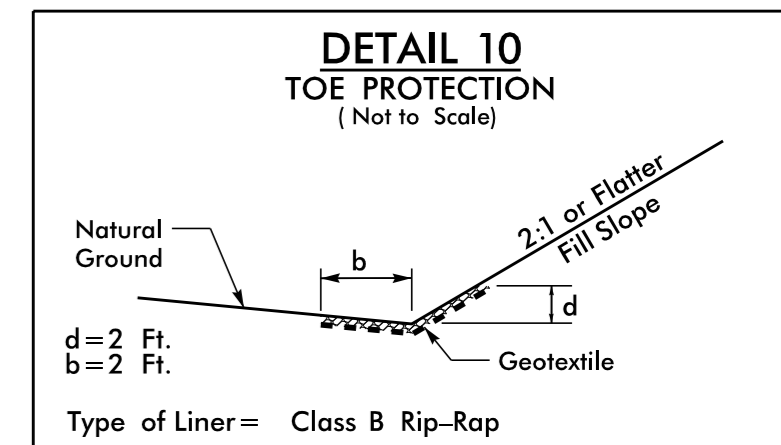
FROM STA. 73+46 TO STA. 73+75 -L- (RT)



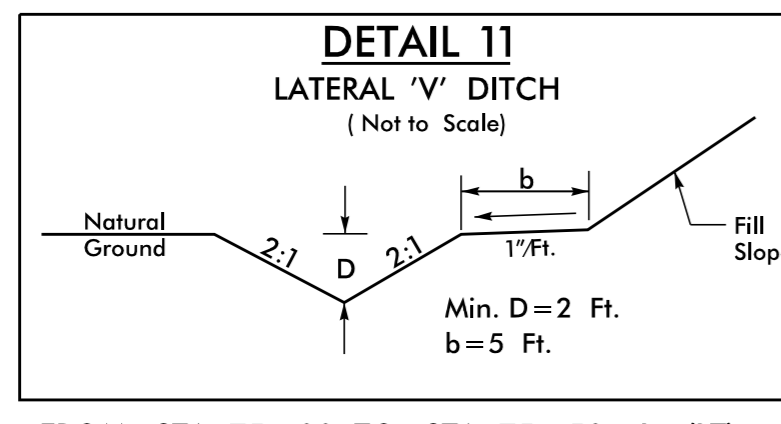
FROM STA. 73+46 TO STA. 73+90 -L- (LT)



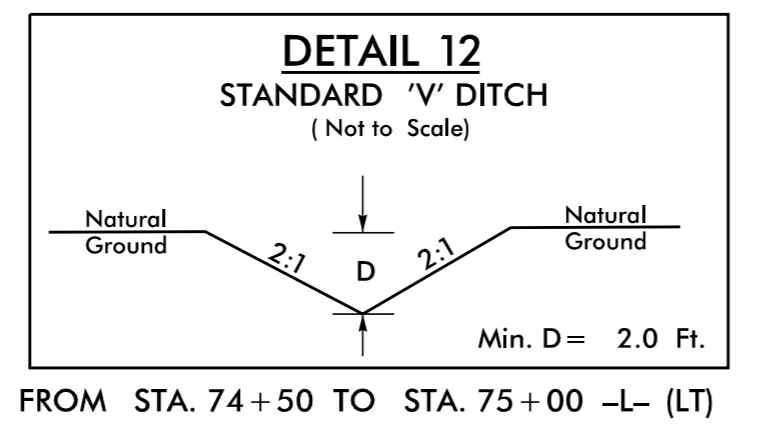
FROM STA. 73+81 -L- (RT)  
 FROM STA. 73+93 -L- (LT)  
 FROM STA. 74+16 -L- (LT)



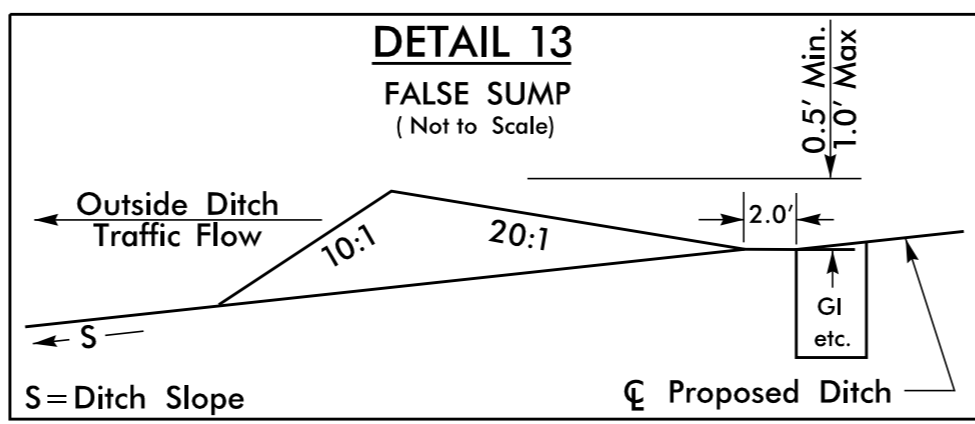
FROM STA. 90+00 TO STA. 91+50 -L- (LT)



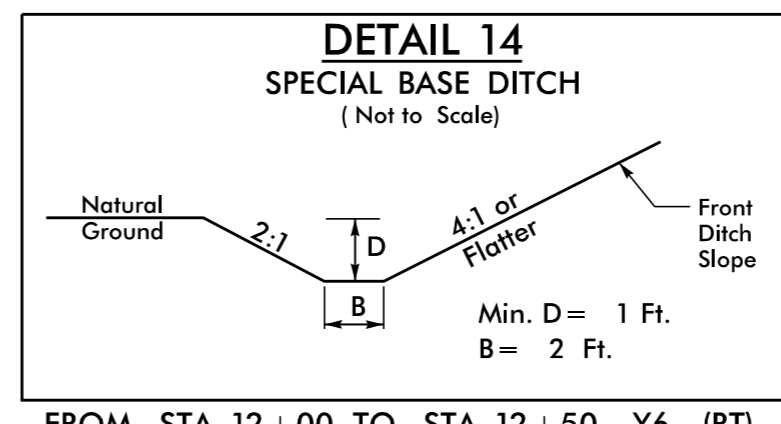
FROM STA. 75+00 TO STA. 75+50 -L- (LT)



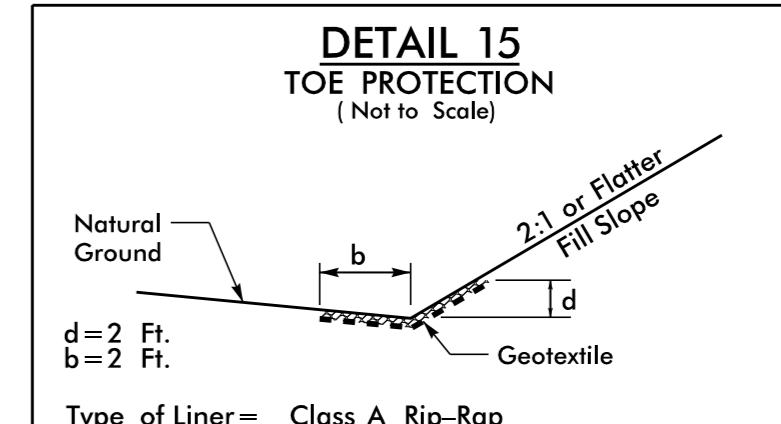
FROM STA. 74+50 TO STA. 75+00 -L- (LT)



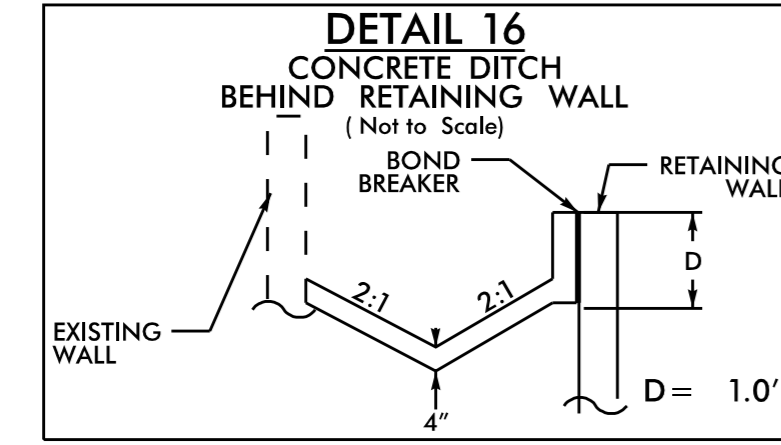
FROM STA. 76+37 -L- (LT)



FROM STA. 12+00 TO STA. 12+50 -Y6- (RT)



FROM STA. 58+26 TO STA. 58+75 -L- (LT)  
 FROM STA. 17+25 TO STA. 17+75 -L- (LT)



FROM STA. 31+00 TO STA. 33+03 -L- (LT)