
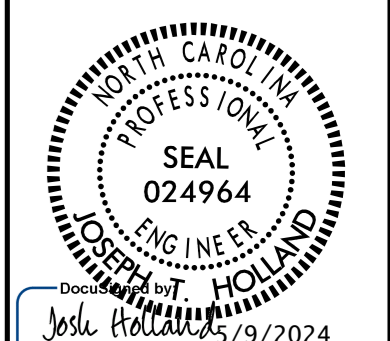


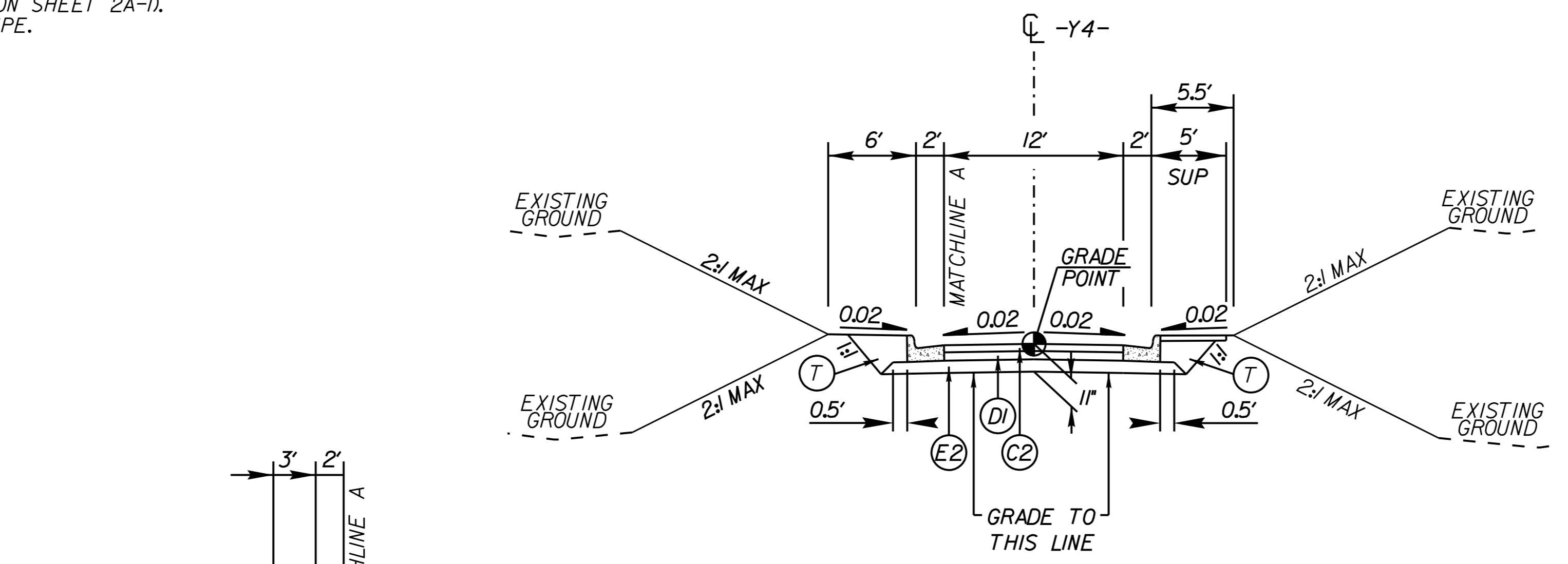
5/14/24

- NOTES:
 1. PAVEMENT EDGE SLOPES ARE 1:1 UNLESS OTHERWISE NOTED.
 2. SEE PLANS FOR TAPER LOCATIONS.
 3. SEE PLANS FOR CURB AND GUTTER LOCATIONS.
 4. USE WEDGING AS NECESSARY (SEE DETAIL ON SHEET 2A-1).
 5. SEE PLANS FOR MEDIAN LOCATIONS AND TYPE.

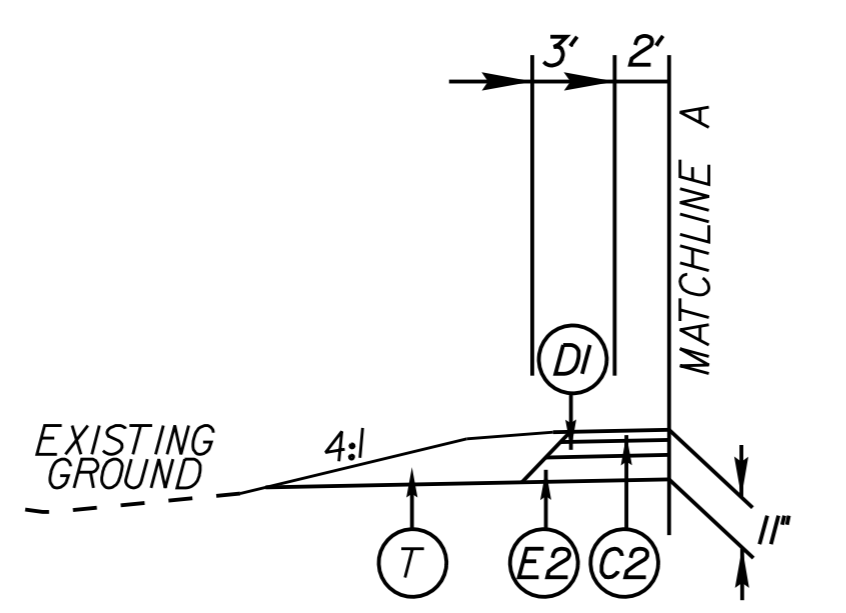
Kimley Horn
 NC LICENSE #F-0102
 200 SOUTH TRYON, SUITE 200
 CHARLOTTE, N.C. 28202

PROJECT REFERENCE NO. U-5108	SHEET NO. 2A-6
ROADWAY DESIGN ENGINEER	PAVEMENT DESIGN ENGINEER
	
5/3/2024	5/9/2024

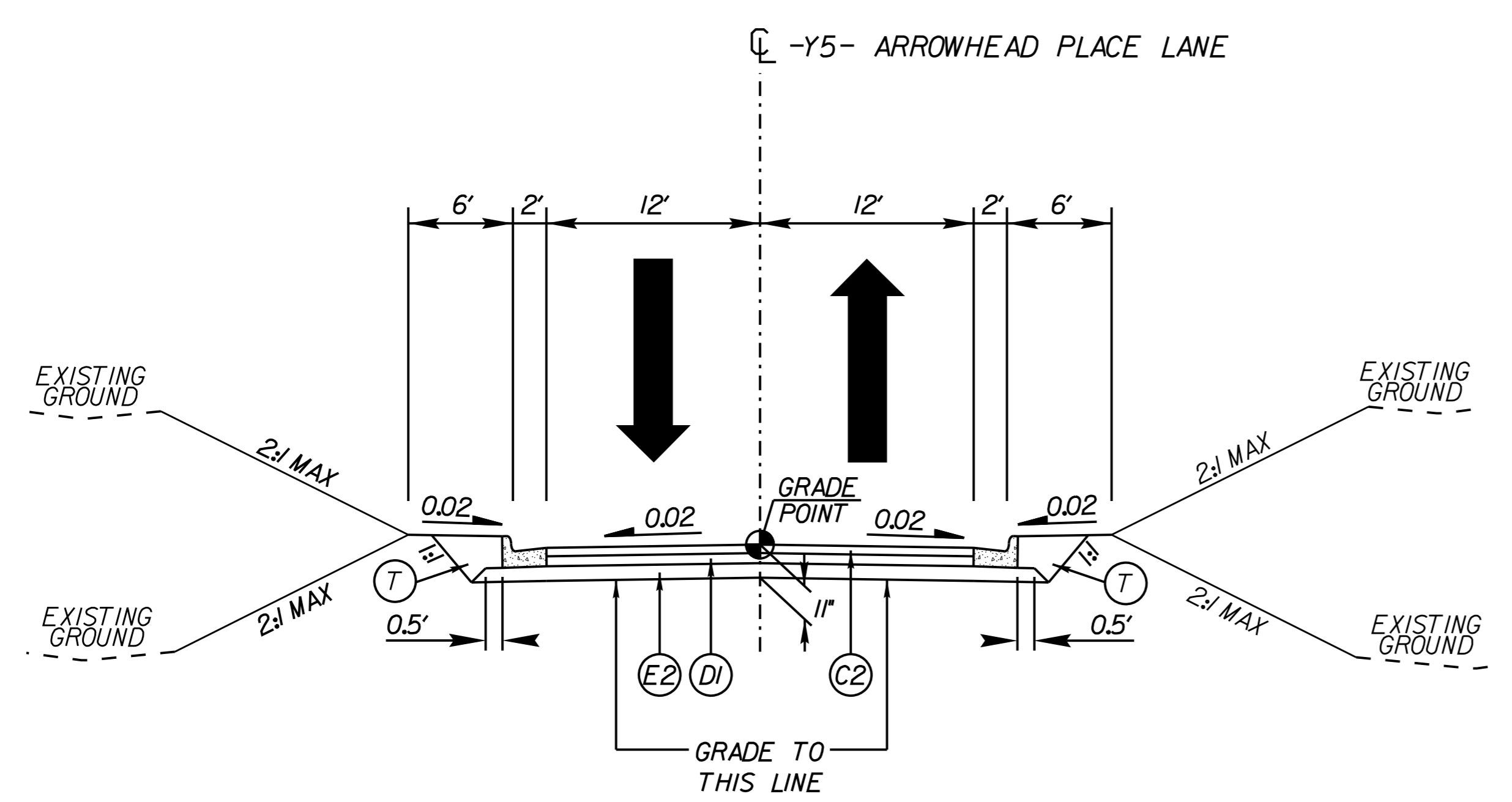
DOCUMENT NOT CONSIDERED FINAL UNLESS ALL SIGNATURES COMPLETED



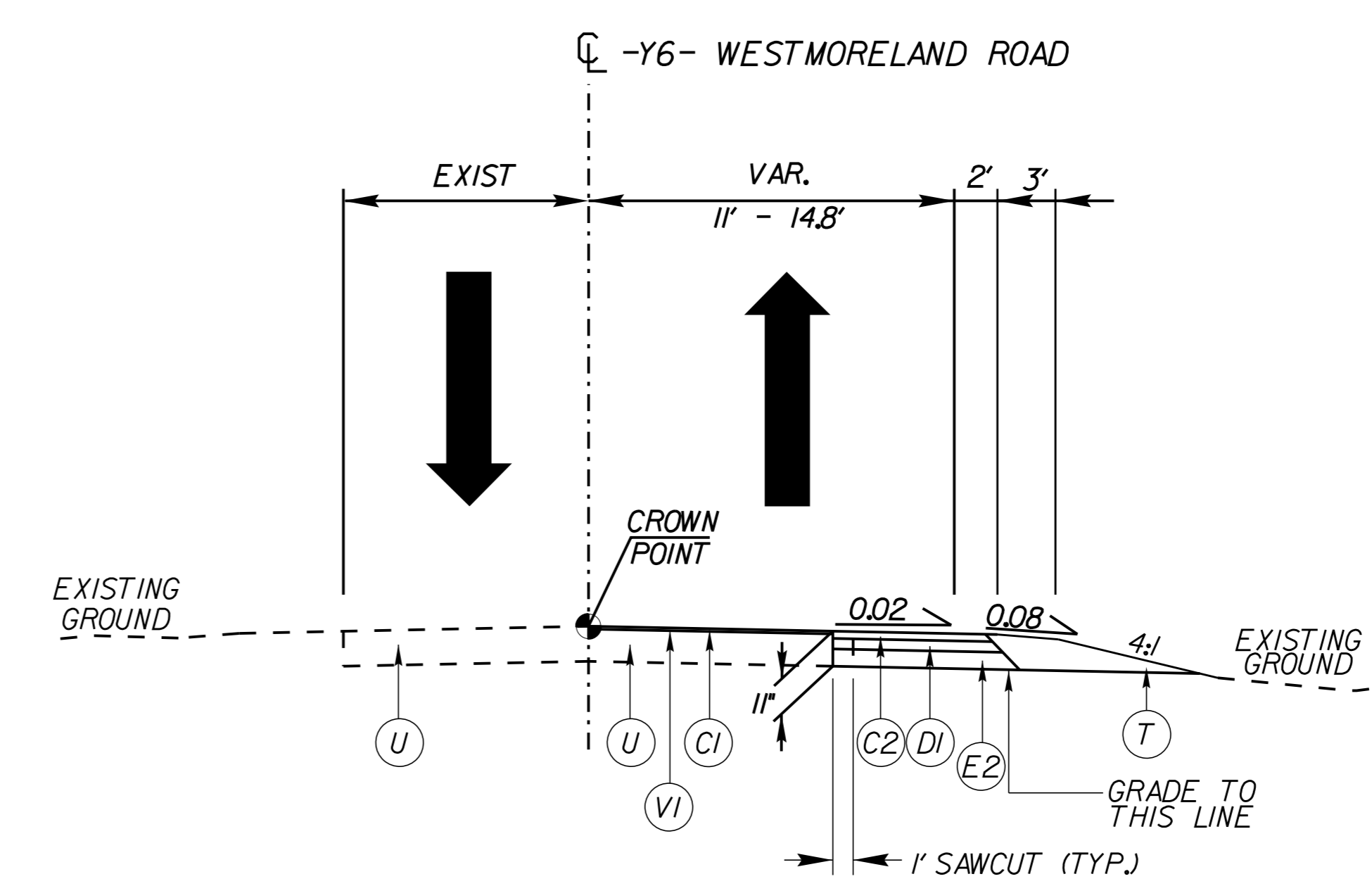
TYPICAL SECTION NO. 10
 -Y4- STA 10+14.50 TO 10+50.00



TYPICAL SECTION NO. 10A
 -Y4- STA 10+24.71 TO 10+50.00



TYPICAL SECTION NO. 11
 -Y5- STA 10+12.00 TO 10+70.00



TYPICAL SECTION NO. 12
 -Y6- STA 3+39.00 TO 5+12.87

PAVEMENT SCHEDULE	
A1	12" TRUCK MOUNTABLE CONCRETE ISLAND (CLASS AA)
A2	6" CONCRETE DRIVEWAY
C1	1.5" S9.5B
C2	3" S9.5B
C3	VAR. S9.5B
D1	4" I19.0C
D2	VAR. I19.0C
E1	3" B25.0C
E2	4" B25.0C
E3	VAR. B25.0C
E4	5.5" B25.0C
F	ASPHALT SURFACE TREATMENT
G	12" SOIL CEMENT BASE (FULL DEPTH RECLAMATION)
J1	6" ABC
J2	8" ABC
K	CLASS IV SUBGRADE STABILIZATION
N	GEOTEXTILE FOR SUBGRADE STABILIZATION
R1	2'-6" CONCRETE CURB AND GUTTER
R2	1'-6" CONCRETE CURB AND GUTTER
R3	PROPOSED SHOULDER BERM GUTTER
R4	5" MONOLITHIC CONCRETE ISLAND (SURFACE MOUNTED)
R5	4" CONCRETE PAVED DITCH
R6	8" x 18" CONCRETE CURB
R7	SINGLE FACED CONCRETE BARRIER
S	4" CONCRETE SIDEWALK / SHARED USE PATH
T	EARTH MATERIAL
U	EXISTING PAVEMENT
V1	MILLING (1.5')
V2	MILLING (3.5')
W	WEDGING

K:\CHL_PRA\1036359 - U-5108 (Northcross)\DS\Roadway\Proj\U-5108_rdy_tlp.dgn

5/3/2024