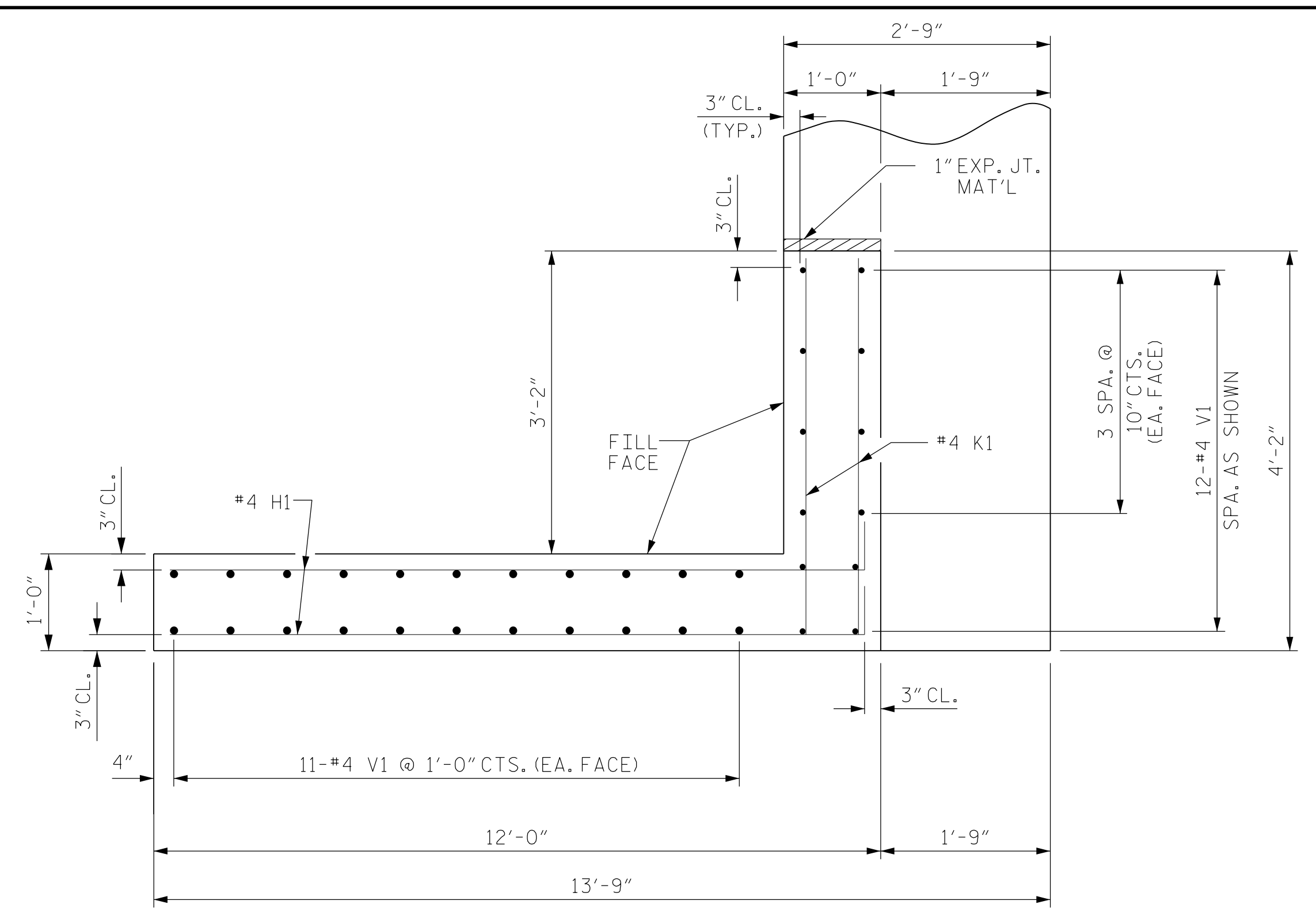
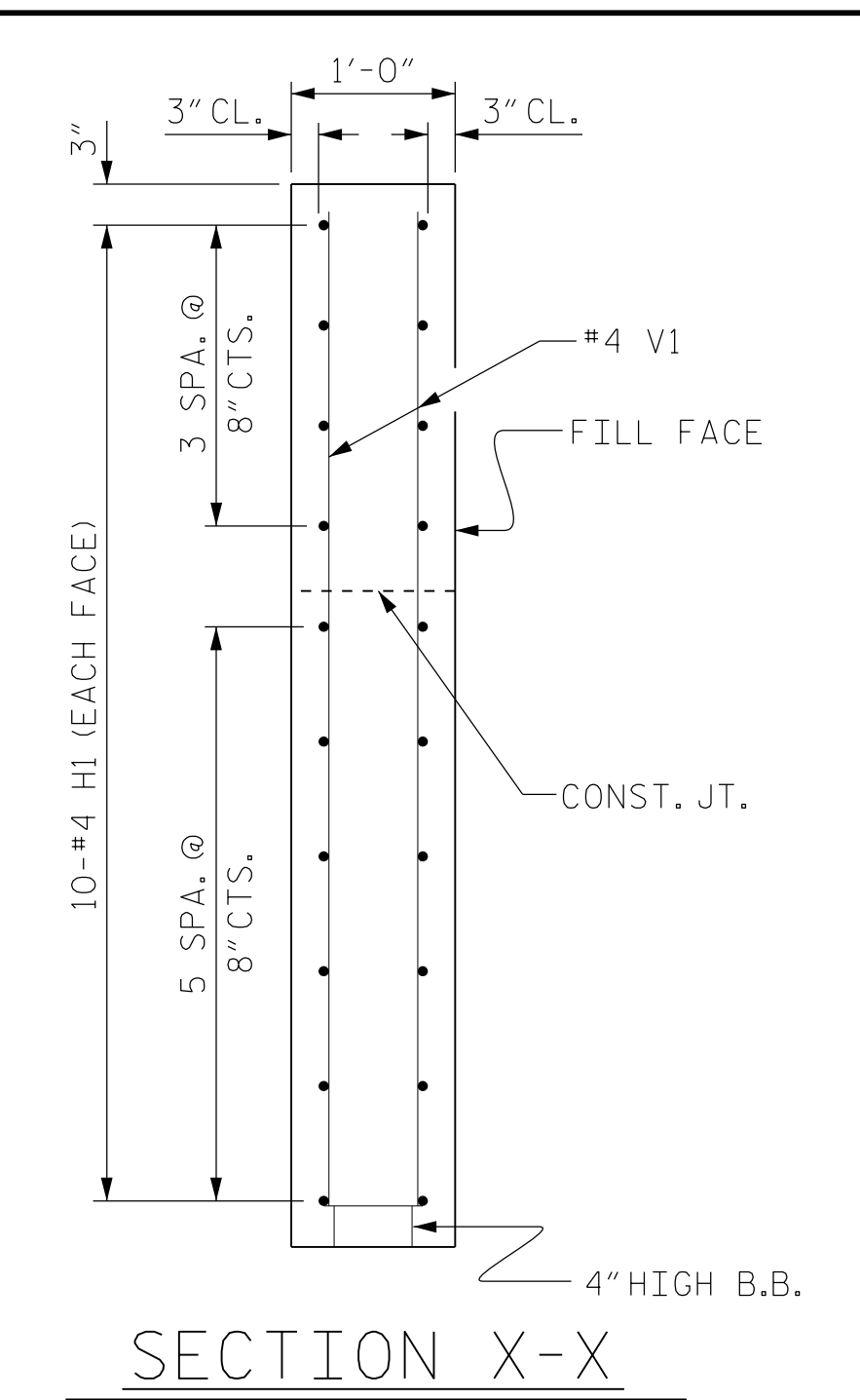


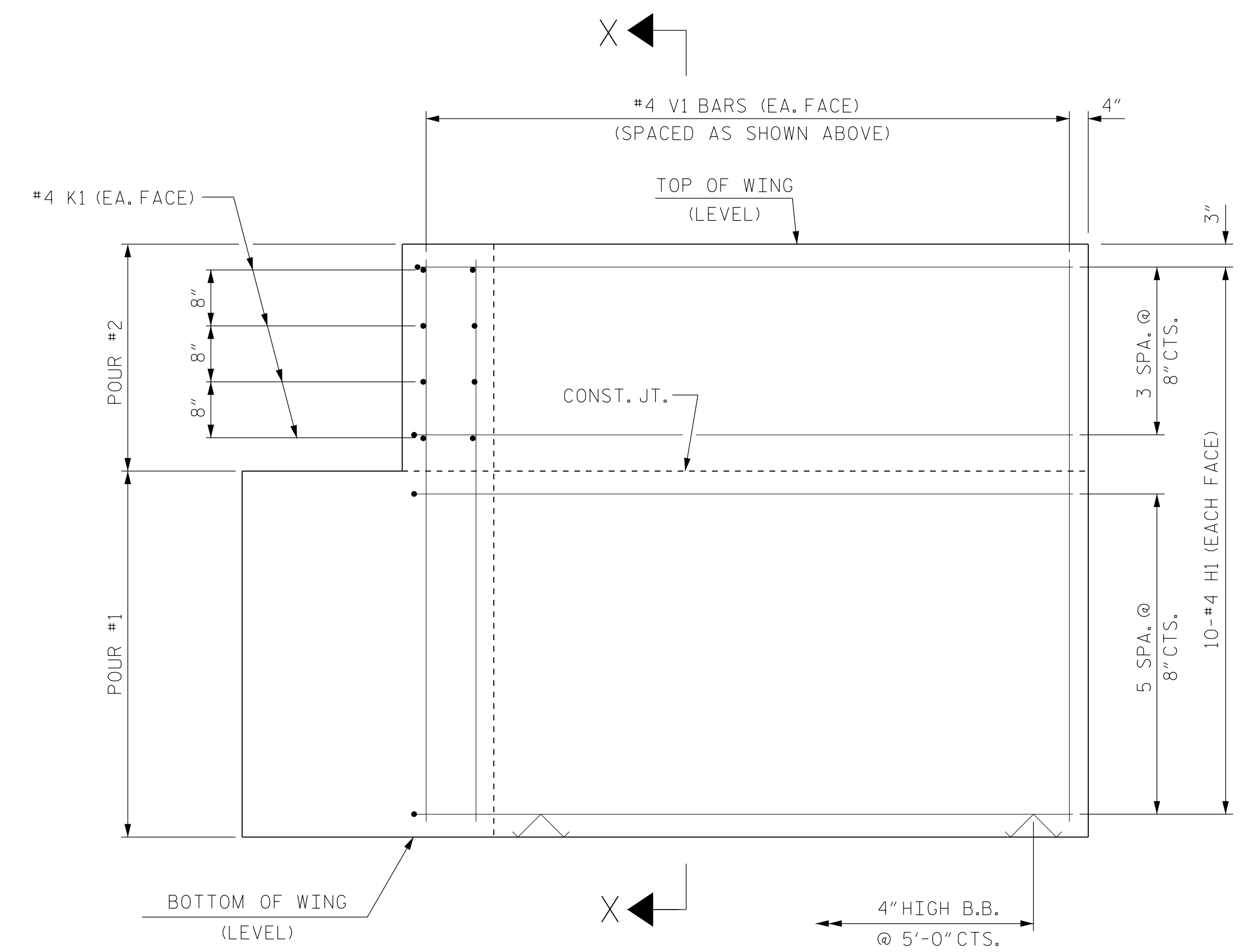
PLAN OF WING (W1)



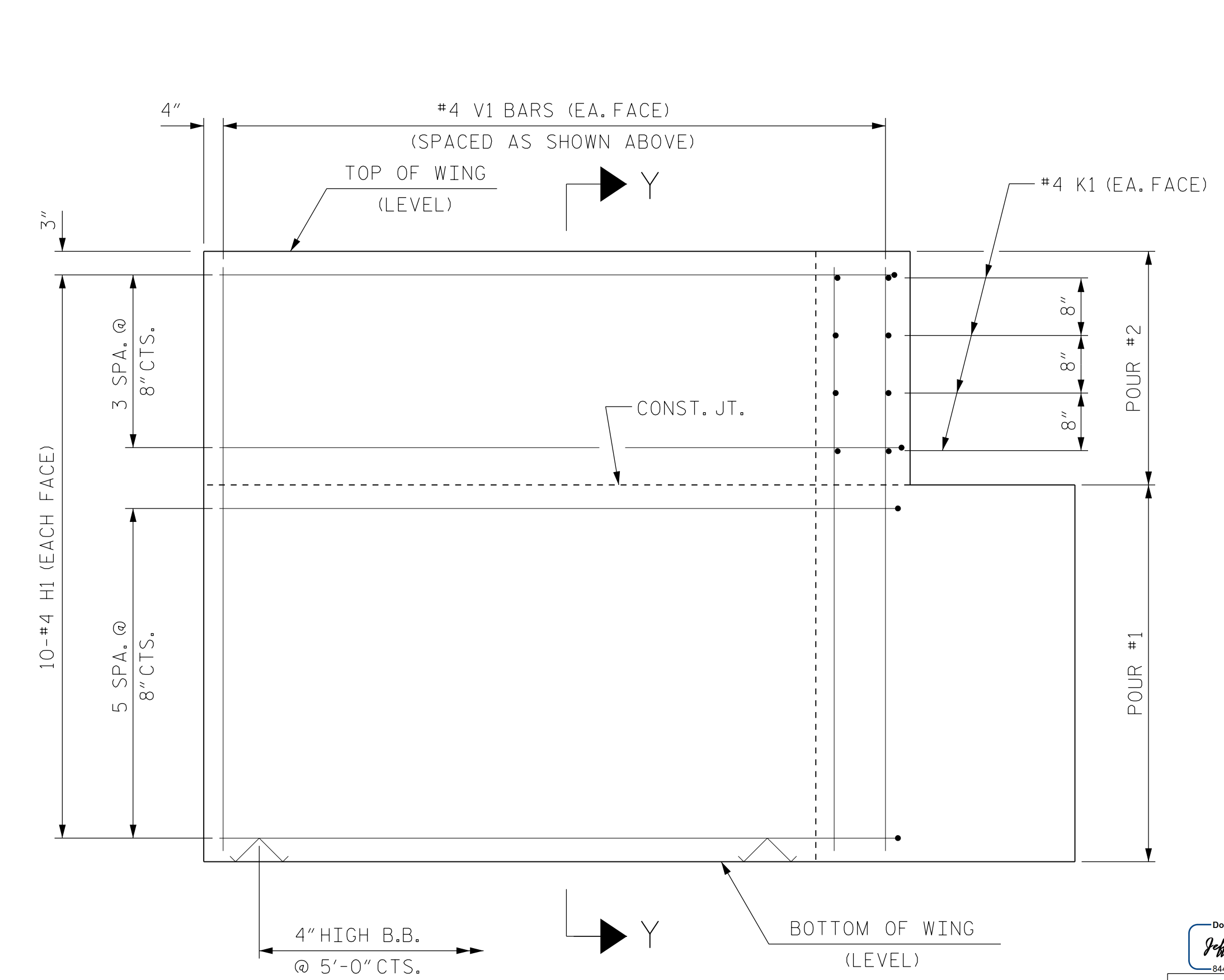
PLAN OF WING (W2)



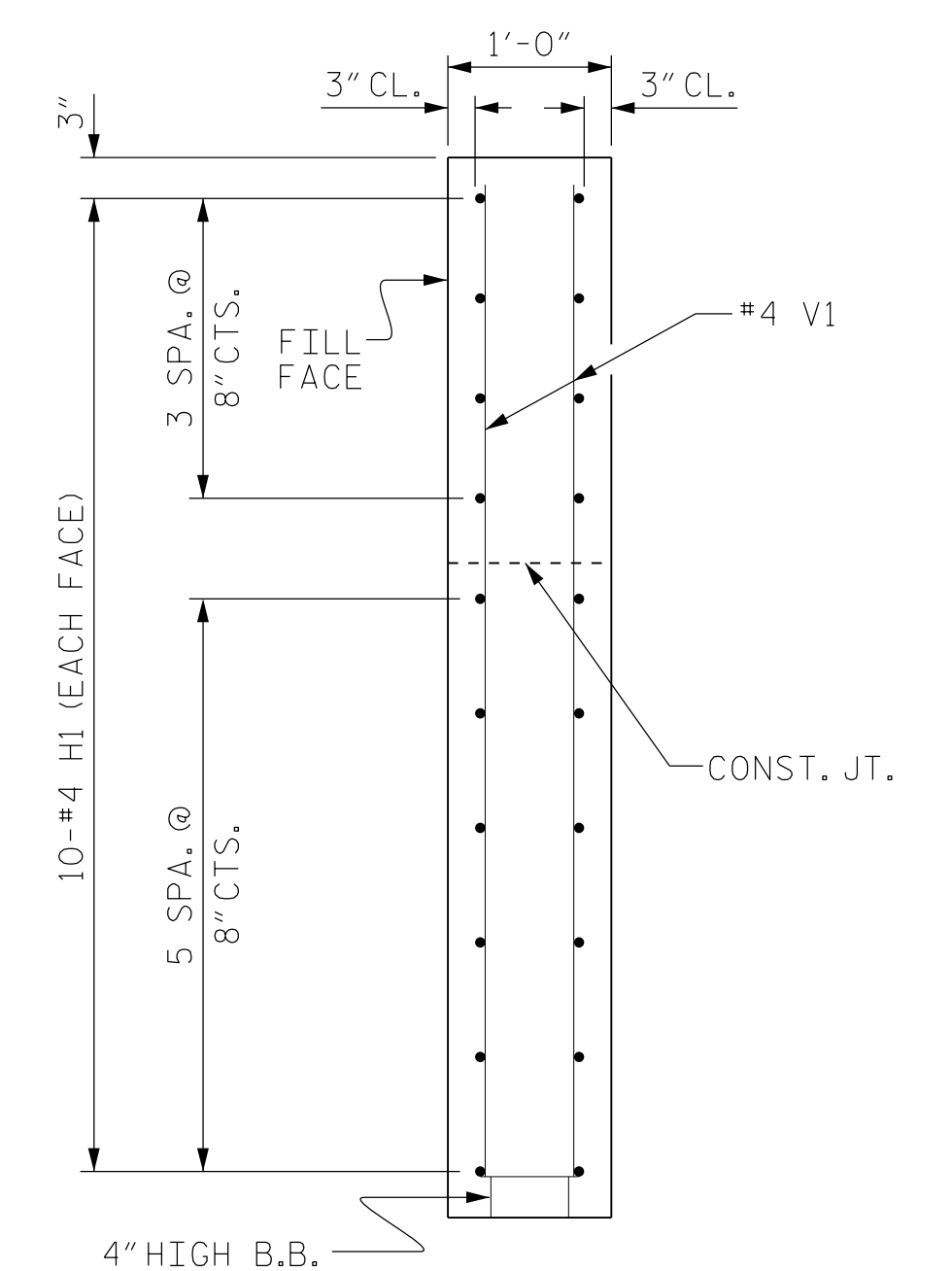
SECTION X-X



ELEVATION OF WING (W1)



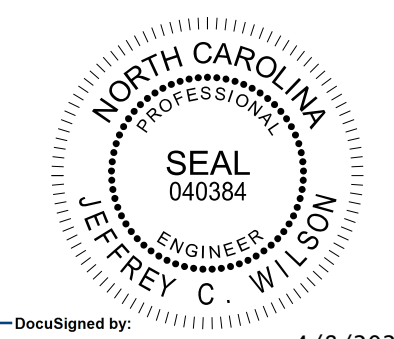
ELEVATION OF WING (W2)



SECTION Y-Y

PROJECT NO. B-5610  
 DARE COUNTY  
 STATION: 15+42.50 -L-

SHEET 3 OF 4



DOCUMENT NOT CONSIDERED  
 FINAL UNLESS ALL  
 SIGNATURES COMPLETED

**STEWART**  
 Firm License No. C-1051  
 223 S West St,  
 Suite 1100  
 Raleigh, NC 27603  
 T 919.380.8750  
 www.stewartinc.com

REVISIONS						SHEET NO.
NO.	BY:	DATE:	NO.	BY:	DATE:	S-21
1			3			TOTAL SHEETS
2			4			29

WING DETAILS

DRAWN BY: G. RAMBOULI DATE: 1/24  
 CHECKED BY: J. WILSON DATE: 1/24  
 DESIGN ENGINEER OF RECORD: J. WILSON DATE: 1/24

B-5610  
 4/4/2024  
 B-5610-SMU-E3-270008.dgn  
 USER: jwilson