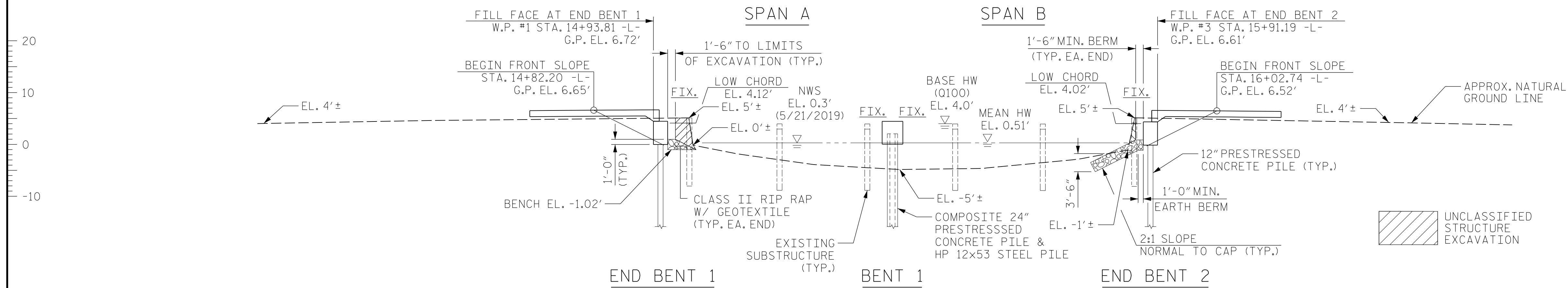


14+00 14+50 15+00 15+50 16+00 16+50

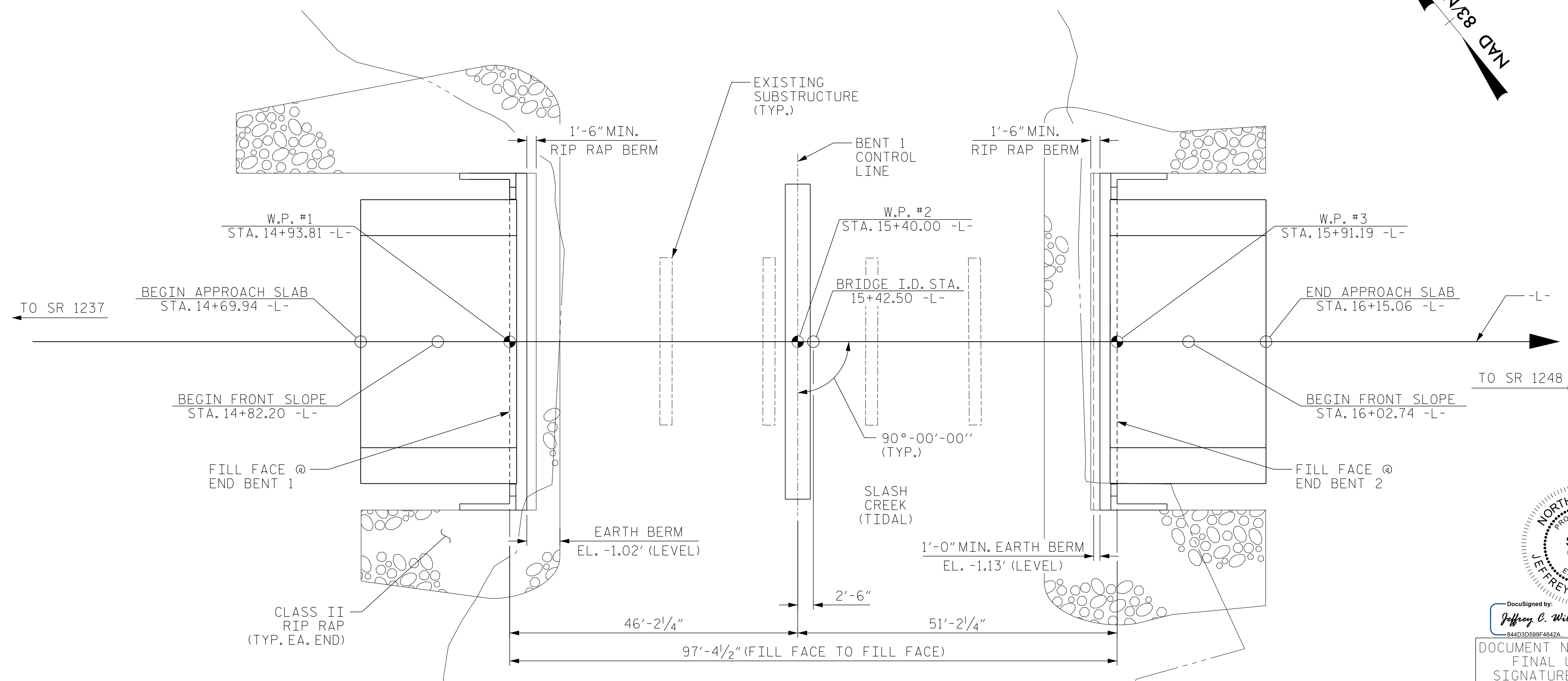


(+)1.9512% (-)2.2311%

P.I. STA. = 15+45.00 -L-  
 EL. = 8.65'  
 VC = 354'

-L- GRADE DATA

SECTION ALONG -L-



HYDRAULIC DATA*	
DESIGN DISCHARGE	N/A
FREQUENCY OF DESIGN FLOOD	N/A
DESIGN HIGH WATER EL.	N/A
DRAINAGE AREA	N/A
BASE DISCHARGE (Q100)	N/A
BASE HIGH WATER EL.	4.0 FT.

OVERTOPPING FLOOD DATA *	
OVERTOPPING DISCHARGE	N/A
FREQUENCY OF OVERTOPPING FLOOD	<100 YR.
OVERTOPPING FLOOD EL.	2.0 FT.

\* DRAINAGE AREA IS NOT APPLICABLE TO THIS STRUCTURE AS STREAM IS TIDAL AND CONNECTS TO THE PAMLICO SOUND AT BOTH ENDS.

PROJECT NO. B-5610

DARE COUNTY

STATION: 15+42.50 -L-

SHEET 1 OF 4 REPLACES BRIDGE NO. 270008

STATE OF NORTH CAROLINA  
 DEPARTMENT OF TRANSPORTATION  
 RALEIGH

GENERAL DRAWING  
 FOR BRIDGE OVER SLASH CREEK  
 ON NC 12 BETWEEN  
 SR 1237 AND SR 1248



DocuSigned by:  
 Jeffrey C. Wilson  
 84430599F4642A

4/8/2024  
 DOCUMENT NOT CONSIDERED  
 FINAL UNLESS ALL  
 SIGNATURES COMPLETED

Firm License No. C-1051  
 223 S West St,  
 Suite 1100  
 Raleigh, NC 27603  
 T 919.380.8750  
 www.stewartinc.com



REVISIONS						SHEET NO.
NO.	BY:	DATE:	NO.	BY:	DATE:	S-1
1			3			TOTAL SHEETS
2			4			29

4/4/2024  
 B-5610-SMUJ\_GD1\_270008.dgn  
 USER: jwilson

DRAWN BY: G. RAMBOULI DATE: 1/24  
 CHECKED BY: J. WILSON DATE: 1/24  
 DESIGN ENGINEER OF RECORD: J. WILSON DATE: 1/24