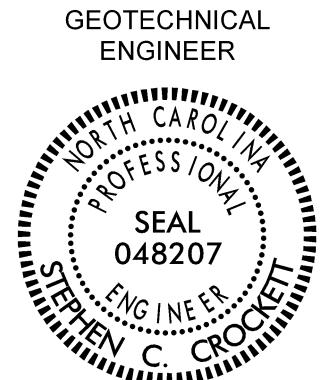
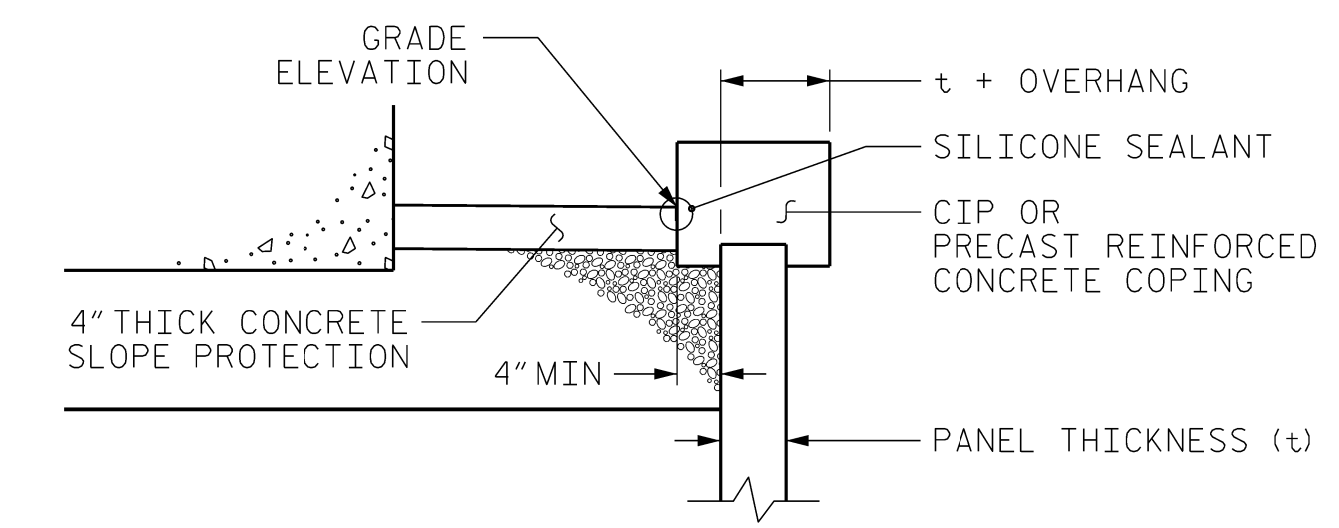
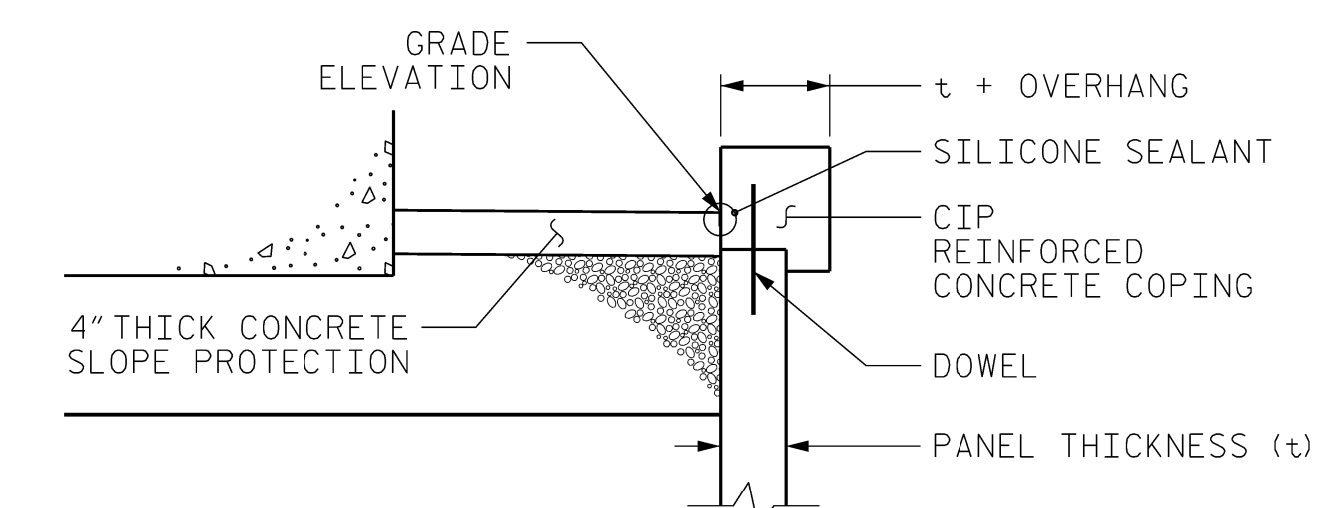
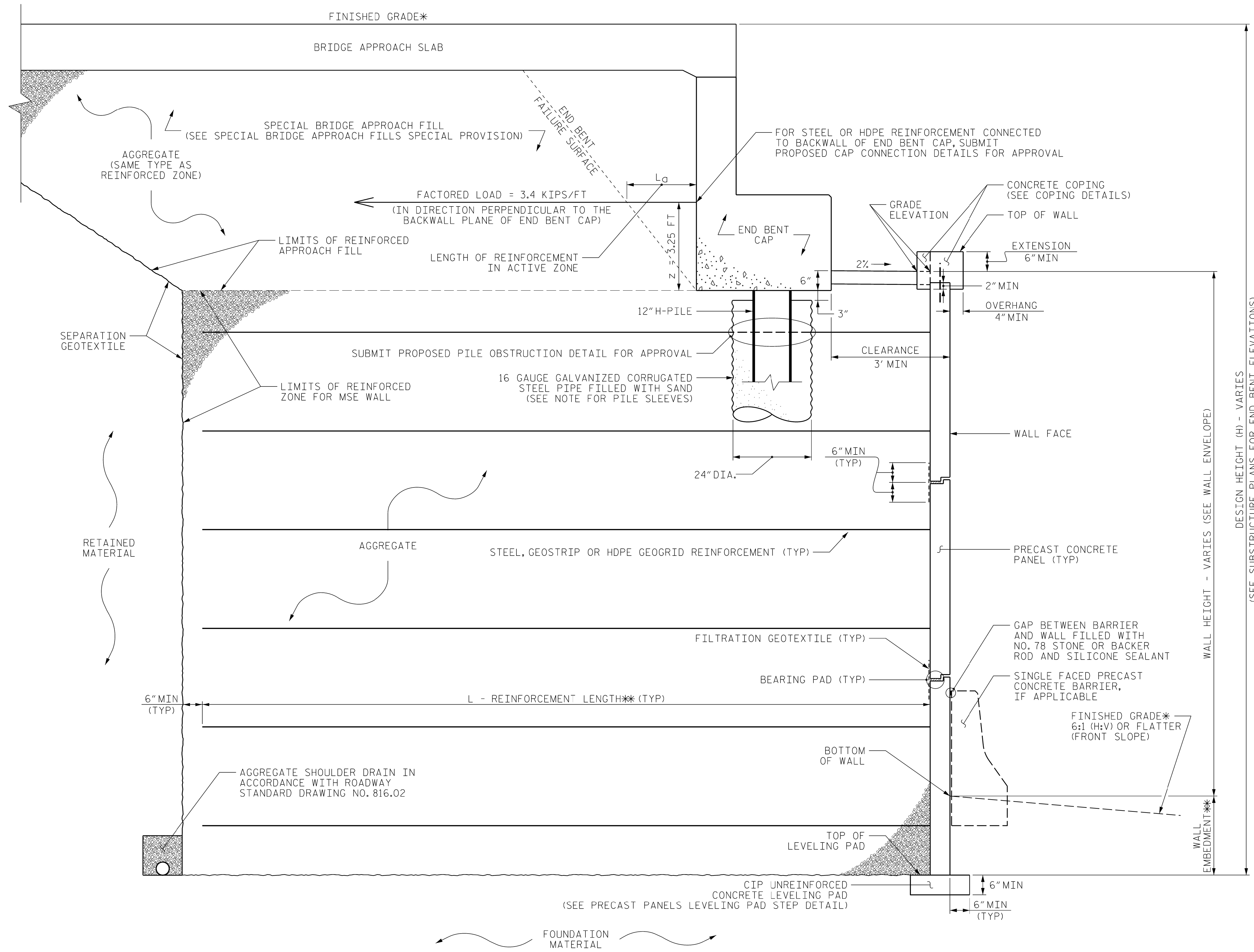


GEOTECHNICAL ENGINEER  SEAL 048207 ENGINEER STEPHEN C. CROCKETT	ENGINEER _____ SIGNATURE DATE
Documented by: <u>Stephen Crockett</u> 5/14/2024 SIGNATURE DATE	
DOCUMENT NOT CONSIDERED FINAL UNLESS ALL SIGNATURES COMPLETED	



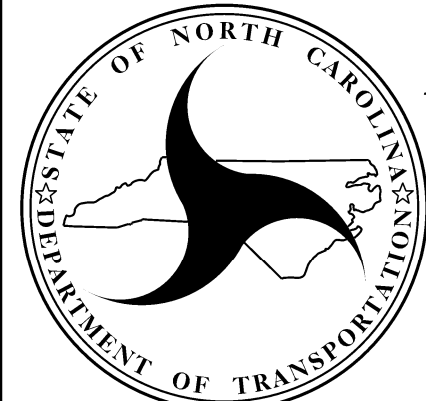
COPING DETAILS

AT THE CONTRACTOR'S OPTION, CONNECT COPING TO PANELS WITH DOWELS OR EXTEND COPING DOWN BACK OF PANELS.

MSE ABUTMENT WALL WITH PRECAST PANELS - TYPICAL SECTION

*SEE ROADWAY PLANS FOR FINISHED GRADE DETAILS.
 **SEE MSE RETAINING WALLS PROVISION AND IF APPLICABLE, MSE WALL NOTES FOR WALL EMBEDMENT AND REINFORCEMENT LENGTH REQUIREMENTS.

PROJECT NO.: I-2513AA/AB
 BUNCOMBE COUNTY
 STATION: -Y5RPA- 21+41.06 TO 23+83.03
 SHEET 2 OF 11 WALL ID W602



**NORTH CAROLINA
 DEPARTMENT OF TRANSPORTATION
 DIVISION OF HIGHWAYS**

**GEOTECHNICAL
 ENGINEERING UNIT**

REVISIONS						SHEET NO.
NO.	BY	DATE	NO.	BY	DATE	
1			3			W-2
2			4			

PREPARED BY: S. CROCKETT	DATE: 9/5/23
REVIEWED BY: J. HAMM	DATE: 9/7/23