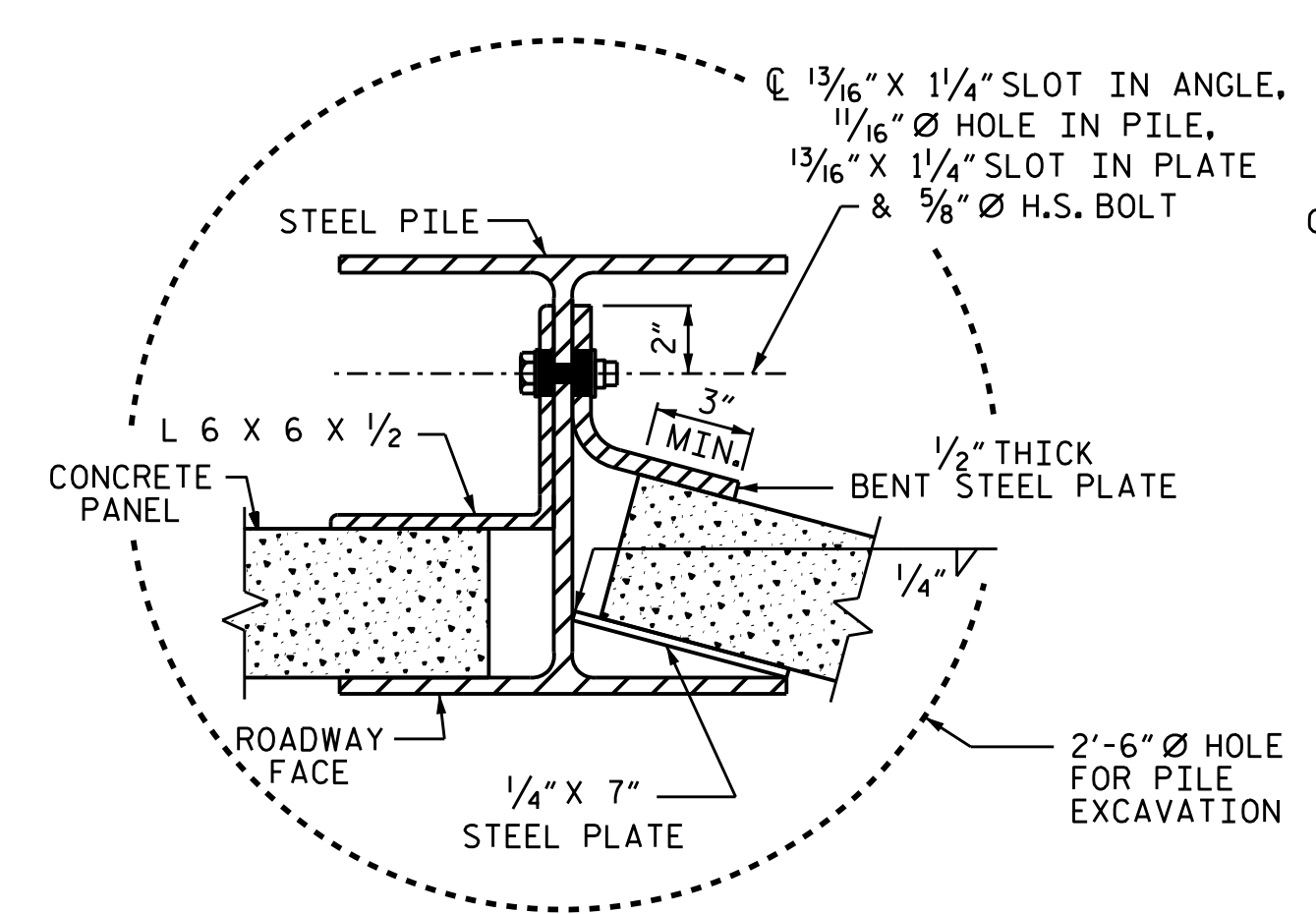
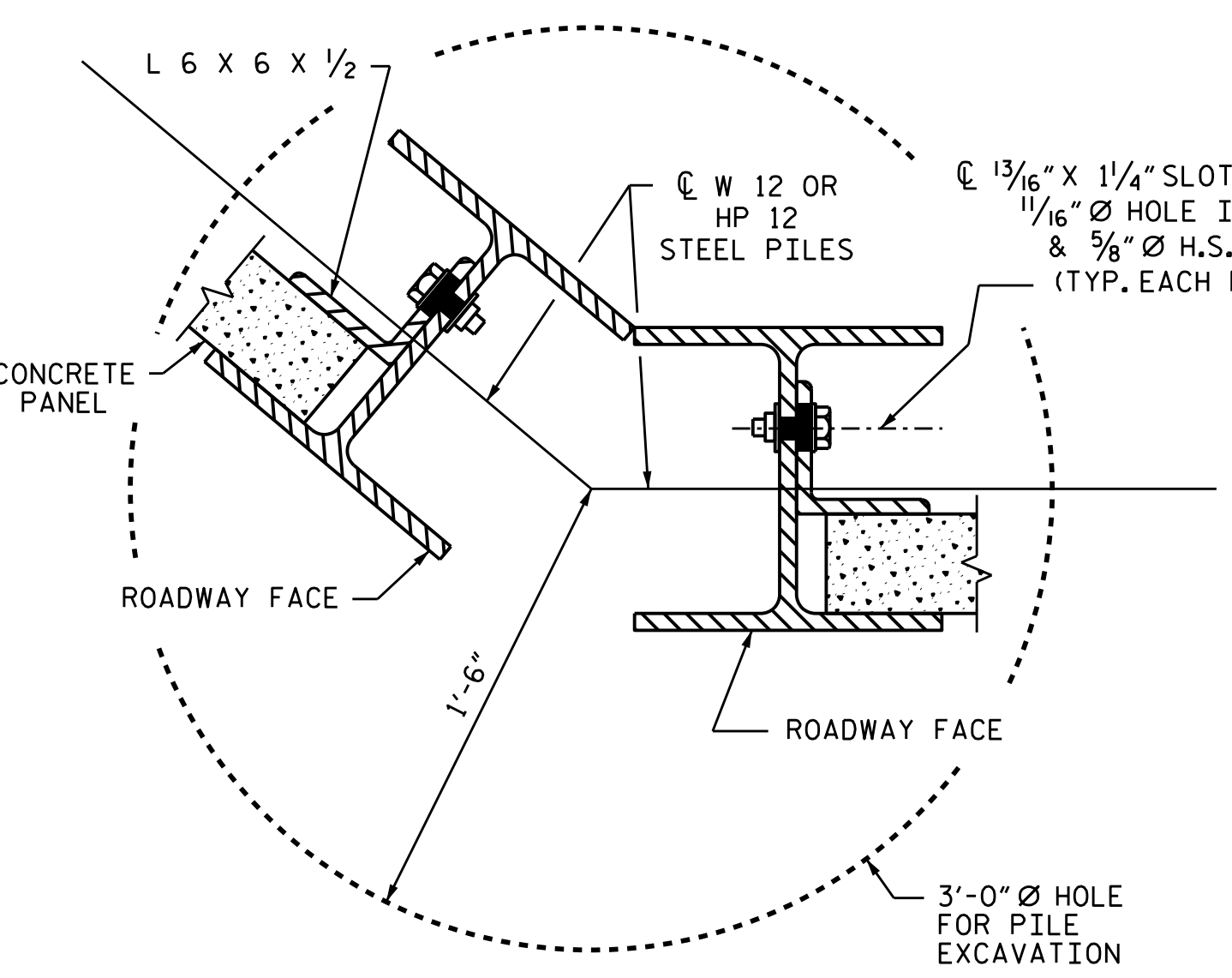


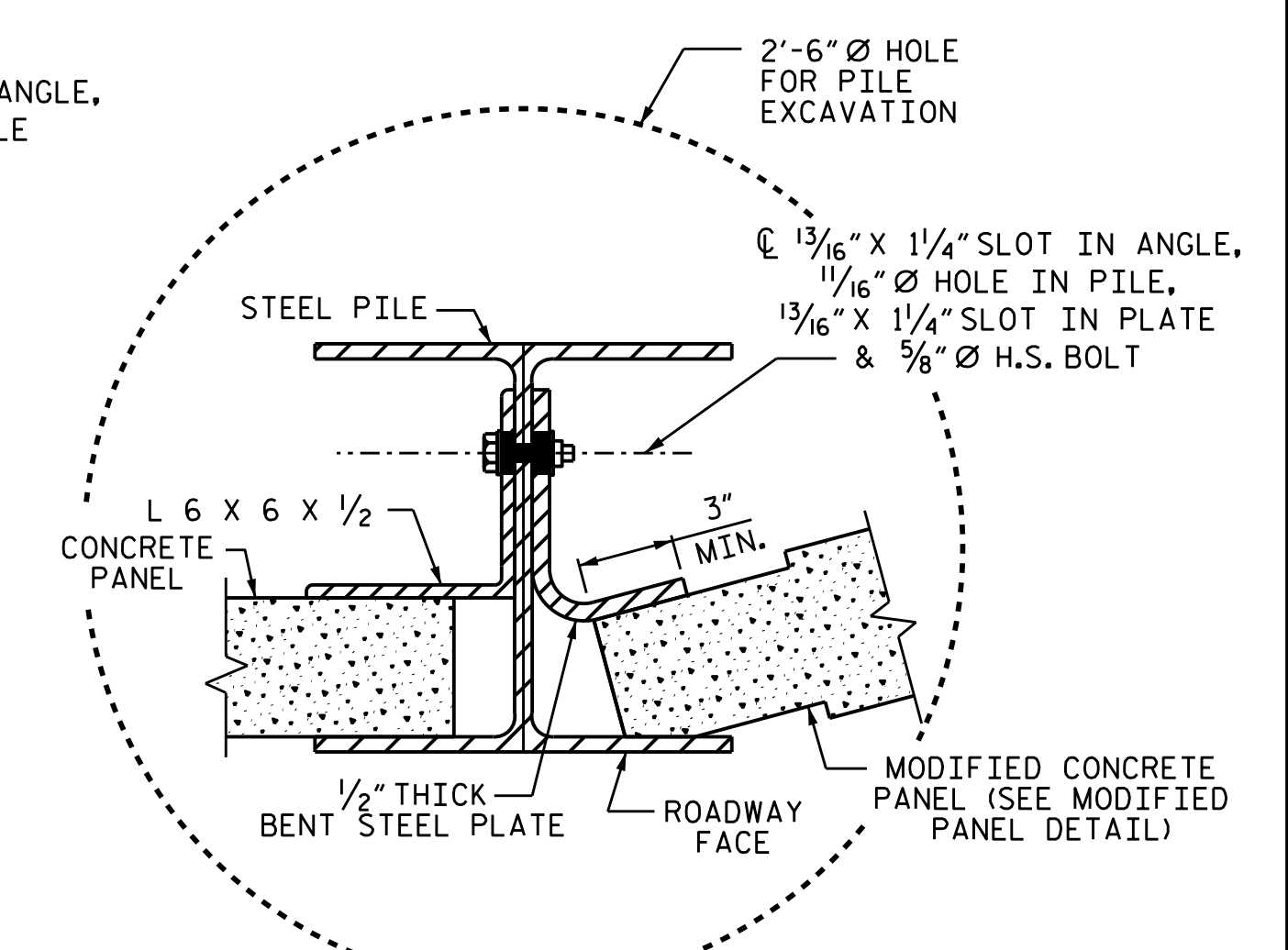
TYPICAL WALL TURN DETAIL
(FOR GREATER THAN 15° TURNS, CONCAVE TOWARD ROADWAY)



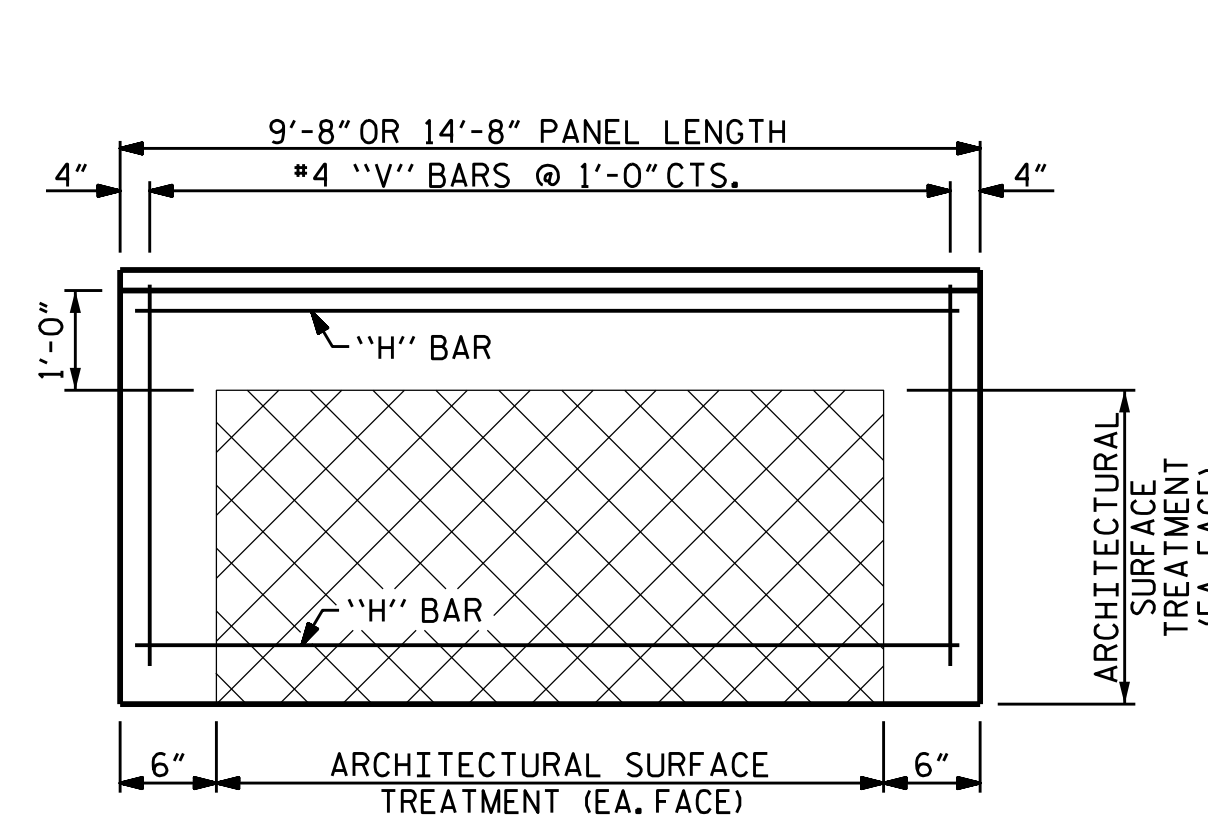
TYPICAL WALL TURN DETAIL
(USE ONLY FOR TURNS 15° OR LESS, CONCAVE TOWARD ROADWAY)



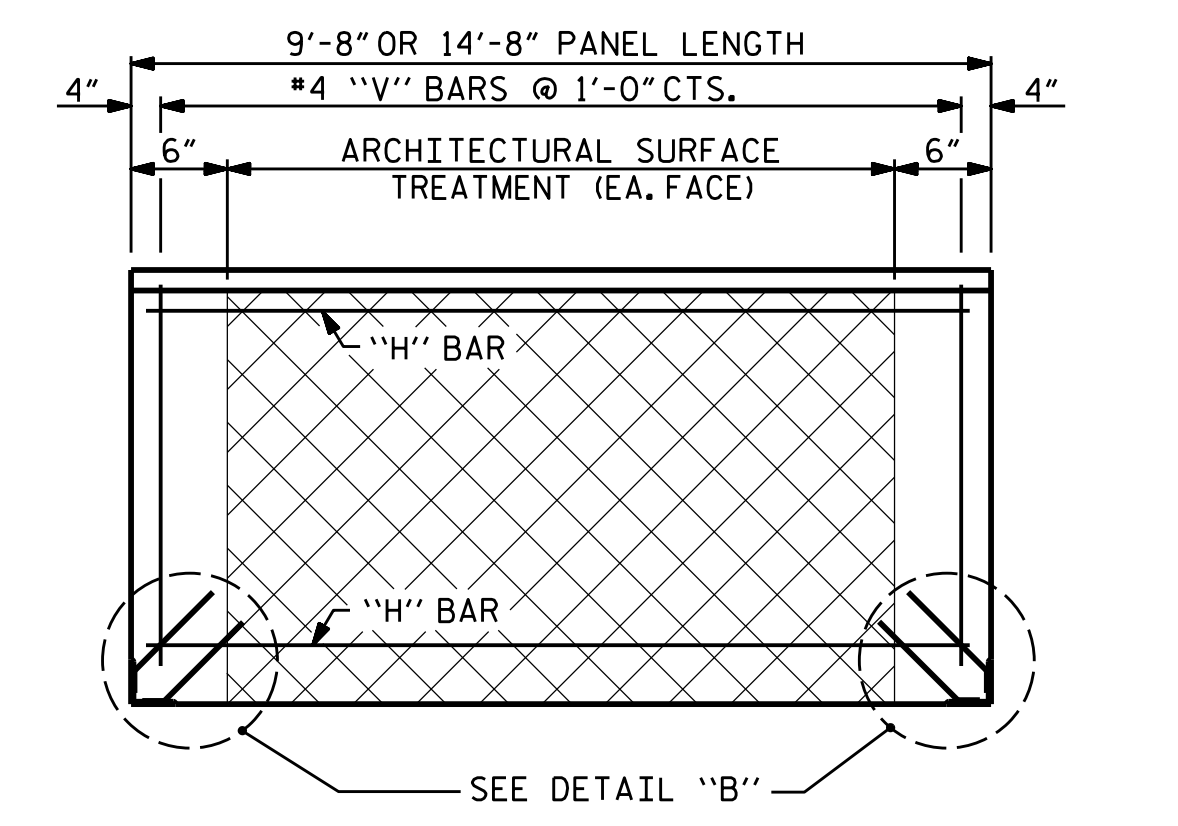
TYPICAL WALL TURN DETAIL
(FOR GREATER THAN 15° TURNS, CONVEX TOWARD ROADWAY)



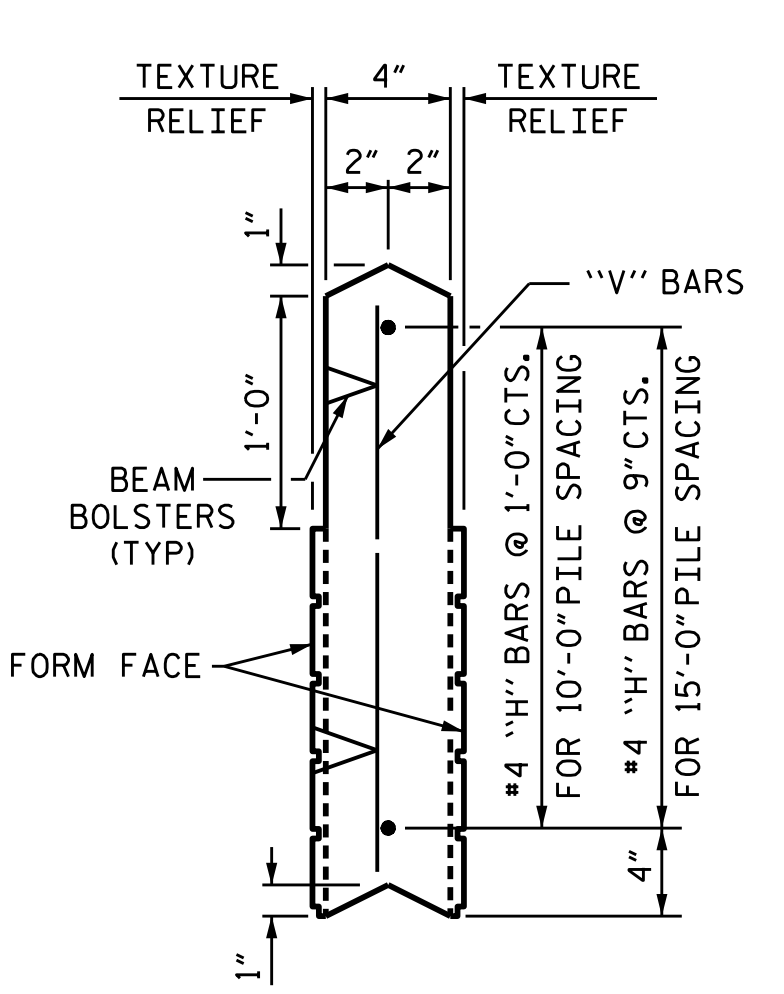
TYPICAL WALL TURN DETAIL
(USE ONLY FOR TURNS 15° OR LESS, CONVEX TOWARD ROADWAY)



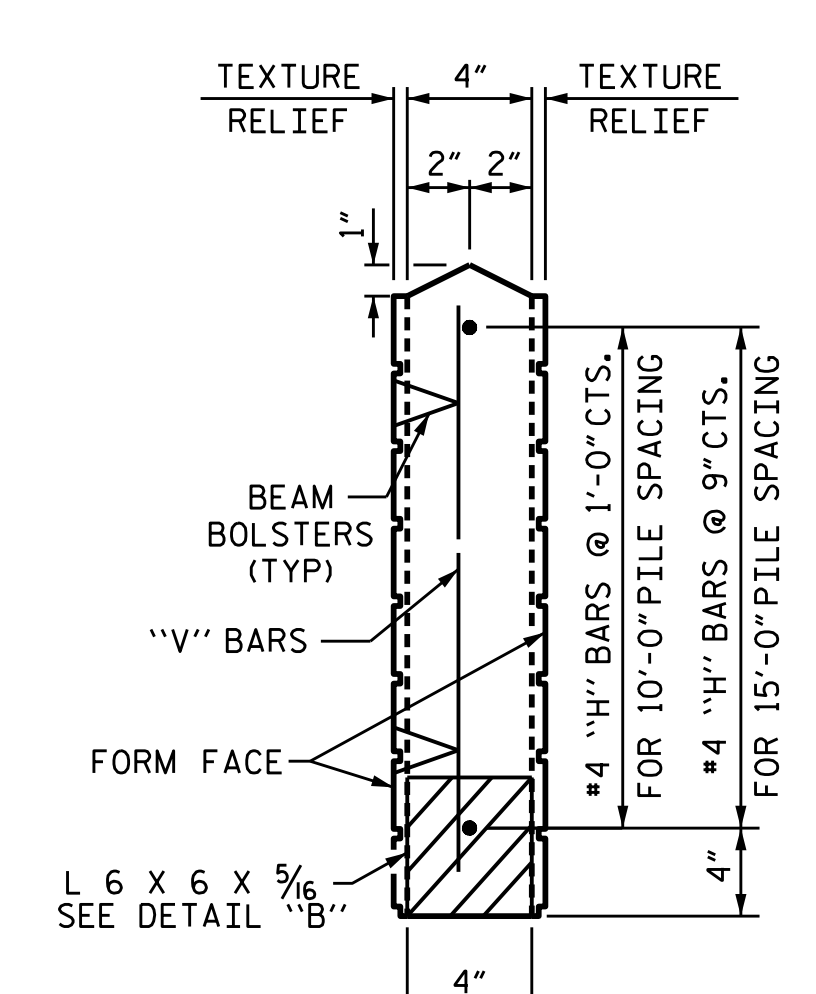
FRONT ELEVATION OF UPPER PRECAST PANEL



FRONT ELEVATION OF BOTTOM PRECAST PANEL

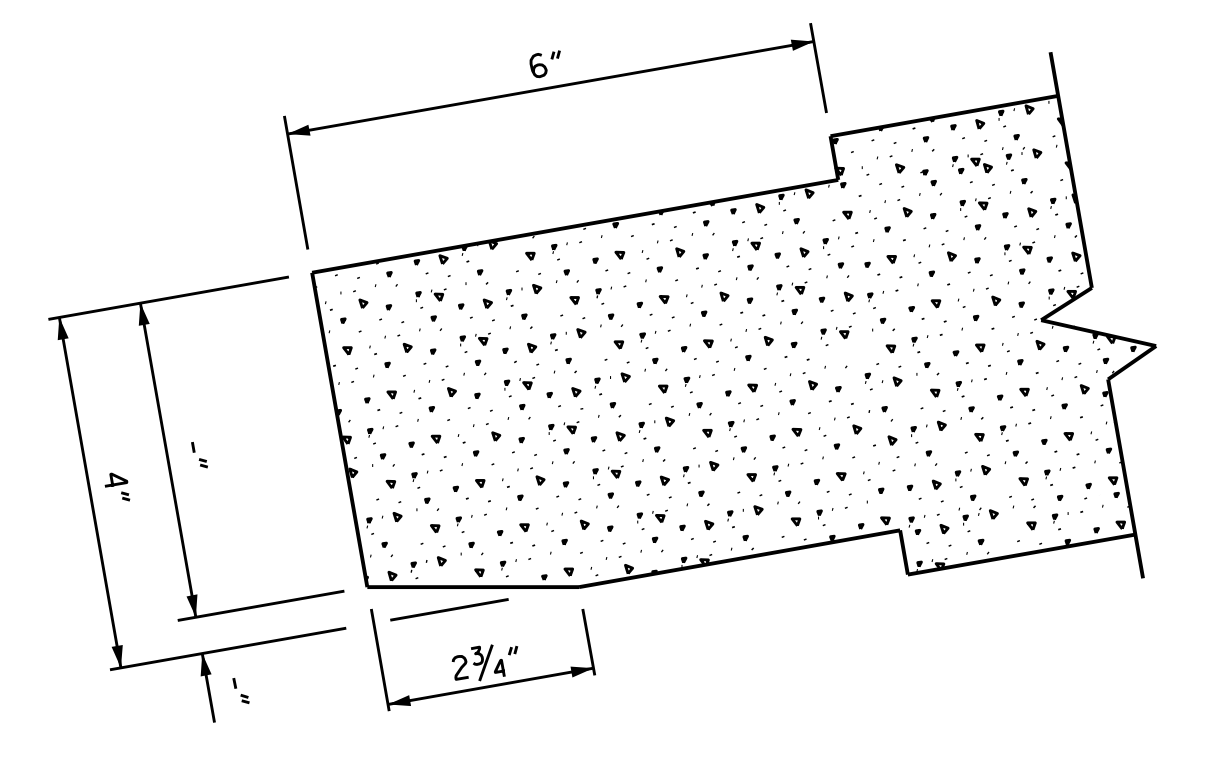


UPPER PANEL

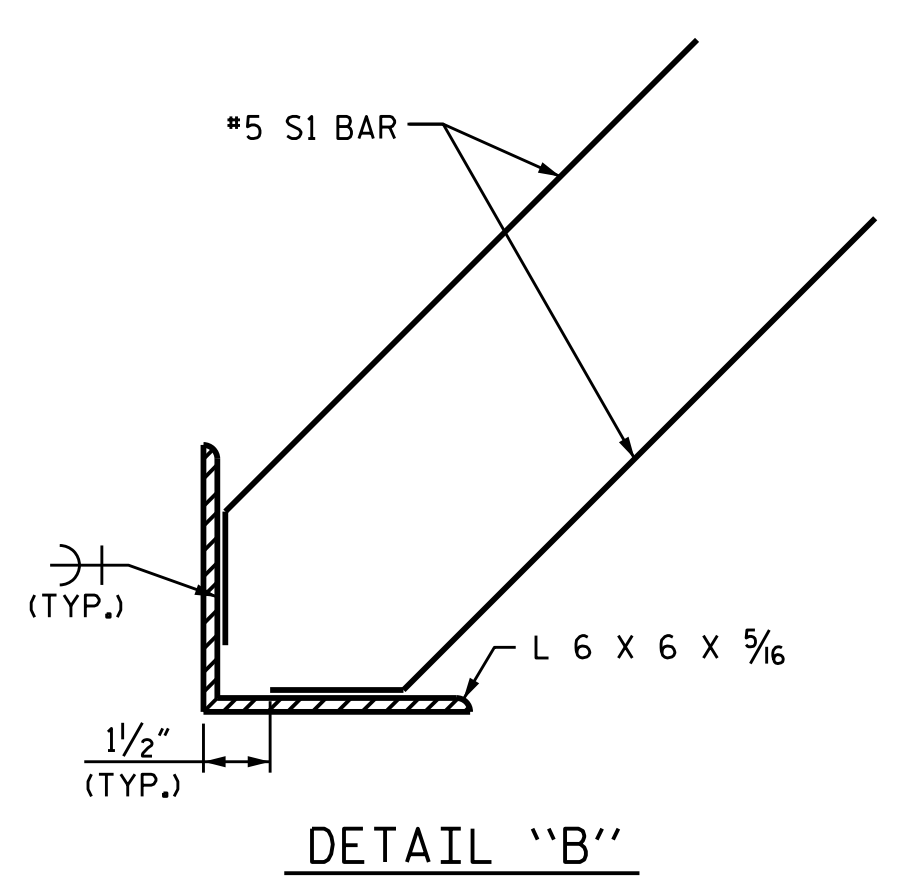


BOTTOM PANEL

SECTION THROUGH PRECAST PANELS



MODIFIED PANEL DETAIL
(USE ONLY FOR TURNS 15° OR LESS, CONVEX TOWARD ROADWAY)



DETAIL "B"

ADDITIONAL BARS FOR ONE BOTTOM PANEL

NO.	BAR	SIZE	TYPE	LENGTH	WEIGHT (lb)
4	S1	#5	1	1'-6"	6

BAR TYPE

QUANTITIES FOR ONE PRECAST PANEL (FOR 10'-0" PILE SPACING)

PANEL HEIGHT	CLASS AA CONCRETE	BAR TYPES											
		HORIZONTAL						VERTICAL					
		C.Y.	NO.	BAR	SIZE	TYPE	LENGTH	WEIGHT (lb)	NO.	BAR	SIZE	TYPE	LENGTH
2'-0"	0.24	3	H1	#4	STR	9'-4"	19	10	V1	#4	STR	1'-8"	11
3'-0"	0.36	4	H2	#4	STR	9'-4"	25	10	V2	#4	STR	2'-8"	18
4'-0"	0.48	5	H3	#4	STR	9'-4"	31	10	V3	#4	STR	3'-8"	24

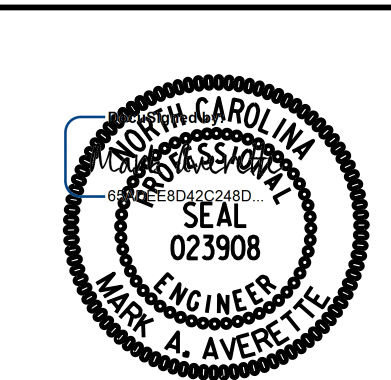
QUANTITIES FOR ONE PRECAST PANEL (FOR 15'-0" PILE SPACING)

PANEL HEIGHT	CLASS AA CONCRETE	BAR TYPES											
		HORIZONTAL						VERTICAL					
		C.Y.	NO.	BAR	SIZE	TYPE	LENGTH	WEIGHT (lb)	NO.	BAR	SIZE	TYPE	LENGTH
3'-0"	0.54	5	H1	#4	STR	14'-4"	48	15	V1	#4	STR	2'-8"	27
4'-0"	0.72	6	H2	#4	STR	14'-4"	57	15	V2	#4	STR	3'-8"	37
5'-0"	0.91	7	H3	#4	STR	14'-4"	67	15	V3	#4	STR	4'-8"	47
6'-0"	1.09	8	H4	#4	STR	14'-4"	77	15	V4	#4	STR	5'-8"	57

PROJECT NO. I-2513AA/AB
BUNCOMBE COUNTY
 STATION: 63+46.57 -Y-
 SHEET 5 OF 5

STATE OF NORTH CAROLINA
 DEPARTMENT OF TRANSPORTATION
 RALEIGH

SOUND BARRIER WALL DETAILS (STEEL PILES) -NW5C-



REVISIONS

NO.	BY:	DATE:	NO.	BY:	DATE:
1			3		
2			4		

SHEET NO. **NW-5**
 TOTAL SHEETS **5**

12/14/2023 11:38:44 AM c:\pwworking\cecom_ds21_na_2020\d0267668\I2513AAAB_SMU_NW05.dgn

DRAWN BY: T. BANKOVICH DATE: 7-23
 CHECKED BY: M.A. AVERETTE DATE: 7-23
 DESIGN ENGINEER OF RECORD: M.A. AVERETTE DATE: 7-23

DOCUMENT NOT CONSIDERED FINAL UNLESS ALL SIGNATURES COMPLETED