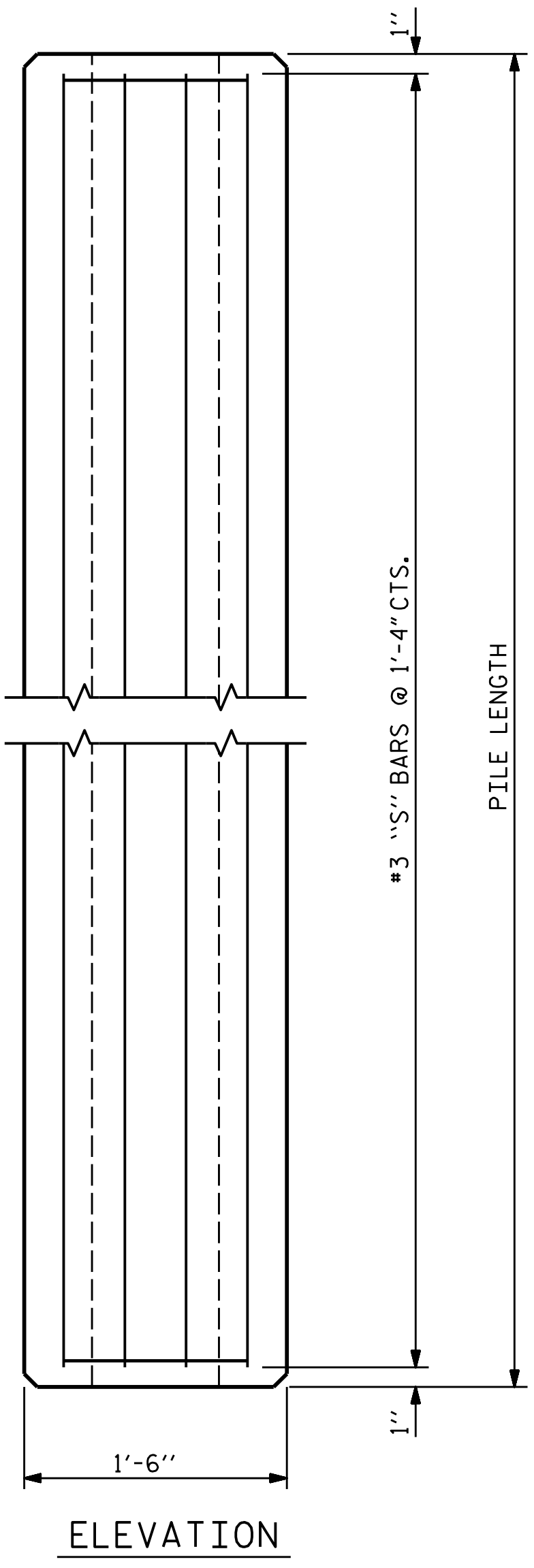


12/14/2023 11:38:41 AM c:\pwworking\cecom_ds21_na_2020\d0267668\I2513AAAAB_SMU_NW03.dgn



LENGTH	APPROX. PILE WT. TONS	ONE PICK-UP POINT		TWO PICK-UP POINT	
		0.300L	0.700L	0.207L	0.586L
10'-0"	1.56	3'-0"	7'-0"		
15'-0"	2.35	4'-6"	10'-6"		
20'-0"	3.14	6'-0"	14'-0"		
25'-0"	3.93	7'-6"	17'-6"		
30'-0"	4.70	9'-0"	21'-0"		
35'-0"	5.49	10'-6"	24'-6"		
40'-0"	6.28	12'-0"	28'-0"		
45'-0"	7.05	13'-6"	31'-6"		
50'-0"	7.84	15'-0"	35'-0"		
55'-0"	8.63			11'-4 1/2"	32'-3"
60'-0"	9.42			12'-5"	35'-2"

NOTES

CONCRETE DESIGN DATA : $f'_c = 5,000$ PSI

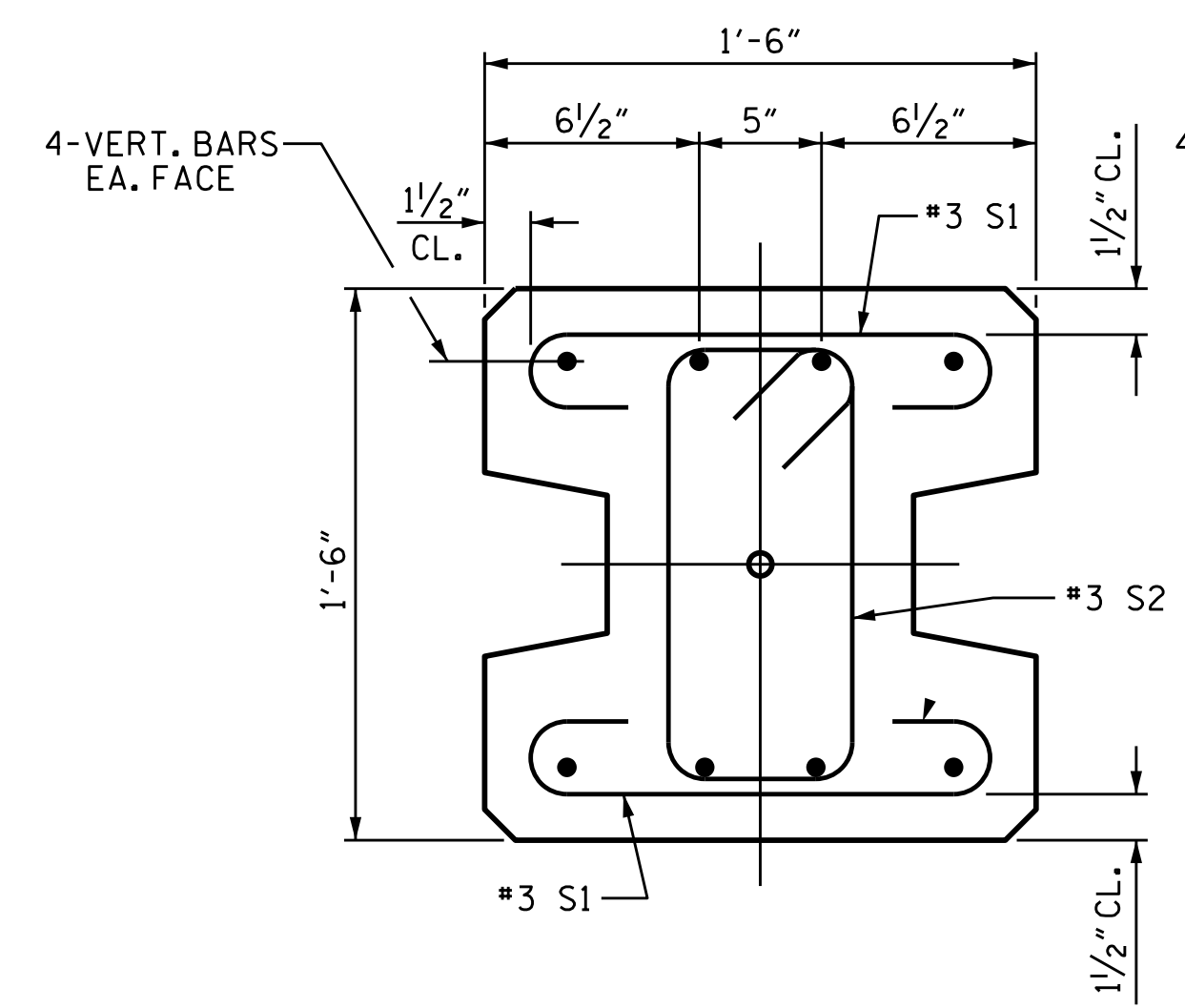
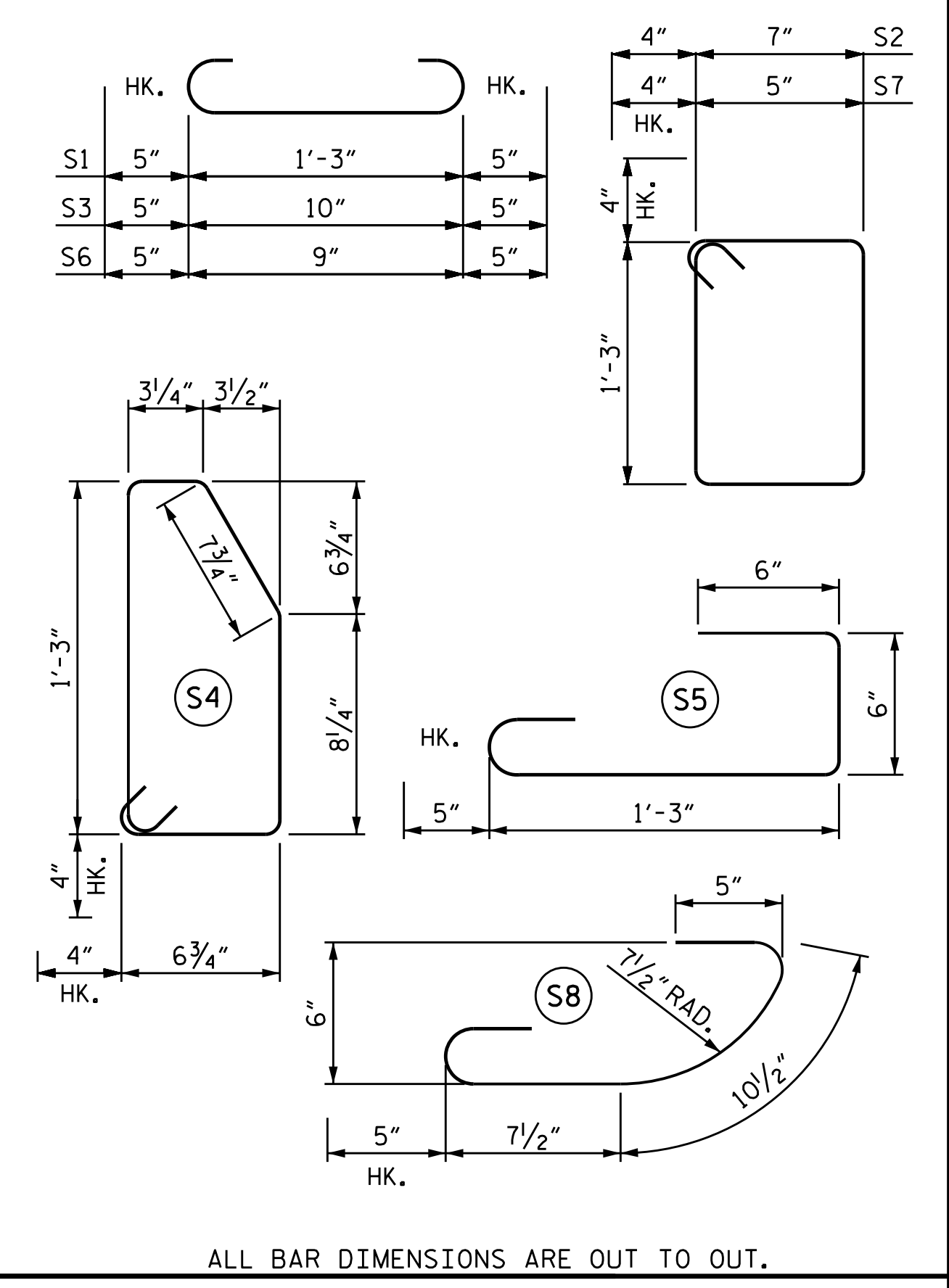
PROPOSED DEVICES FOR LIFTING PILES, RECESS DETAILS, AND PATCHING MATERIAL SHALL BE DETAILED IN SHOP DRAWINGS. AFTER ATTACHMENTS HAVE BEEN REMOVED, OPENINGS SHALL BE REPAIRED SUCH THAT THE APPEARANCE OF THE PILE IS UNIFORM.

WHERE CAST-IN-PLACE LIFTING DEVICES ARE NOT USED, PICK-UP POINTS TO BE INDICATED WITH A BLACK MARK 2" WIDE.

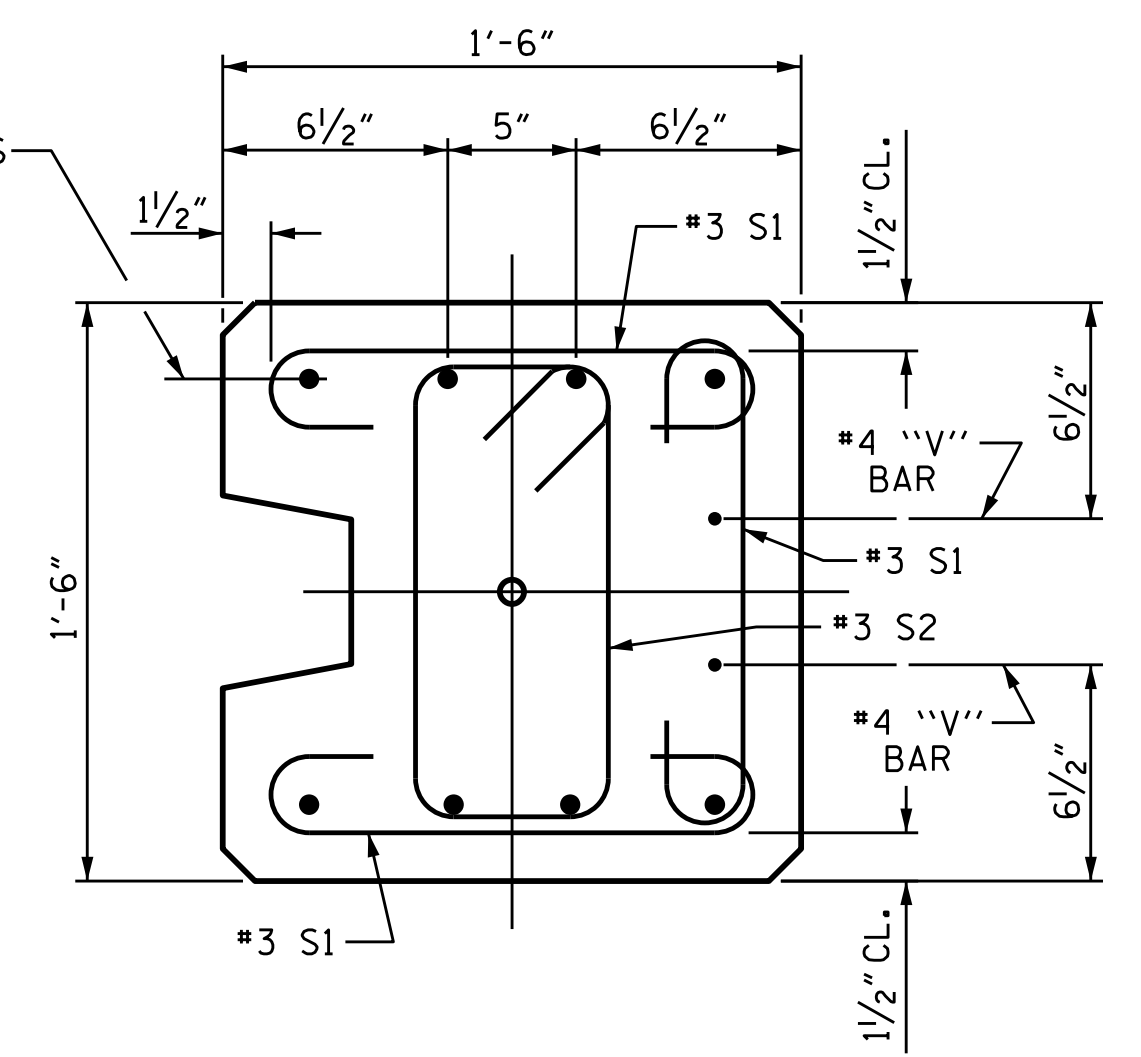
THE SLIP-FORM METHOD OF CASTING PILES WILL NOT BE PERMITTED.

ALL CORNERS TO BE CHAMFERED 1".

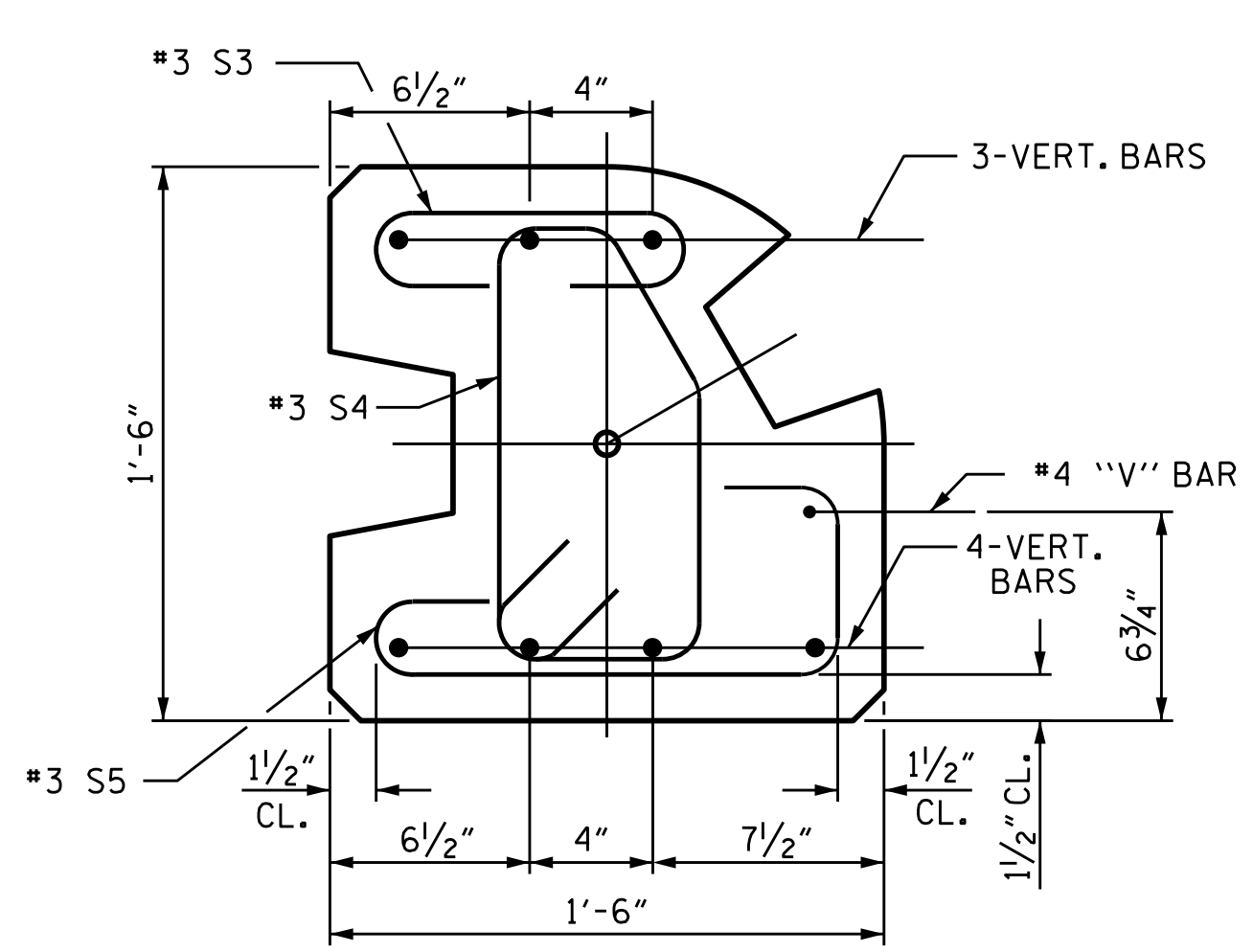
BAR TYPES



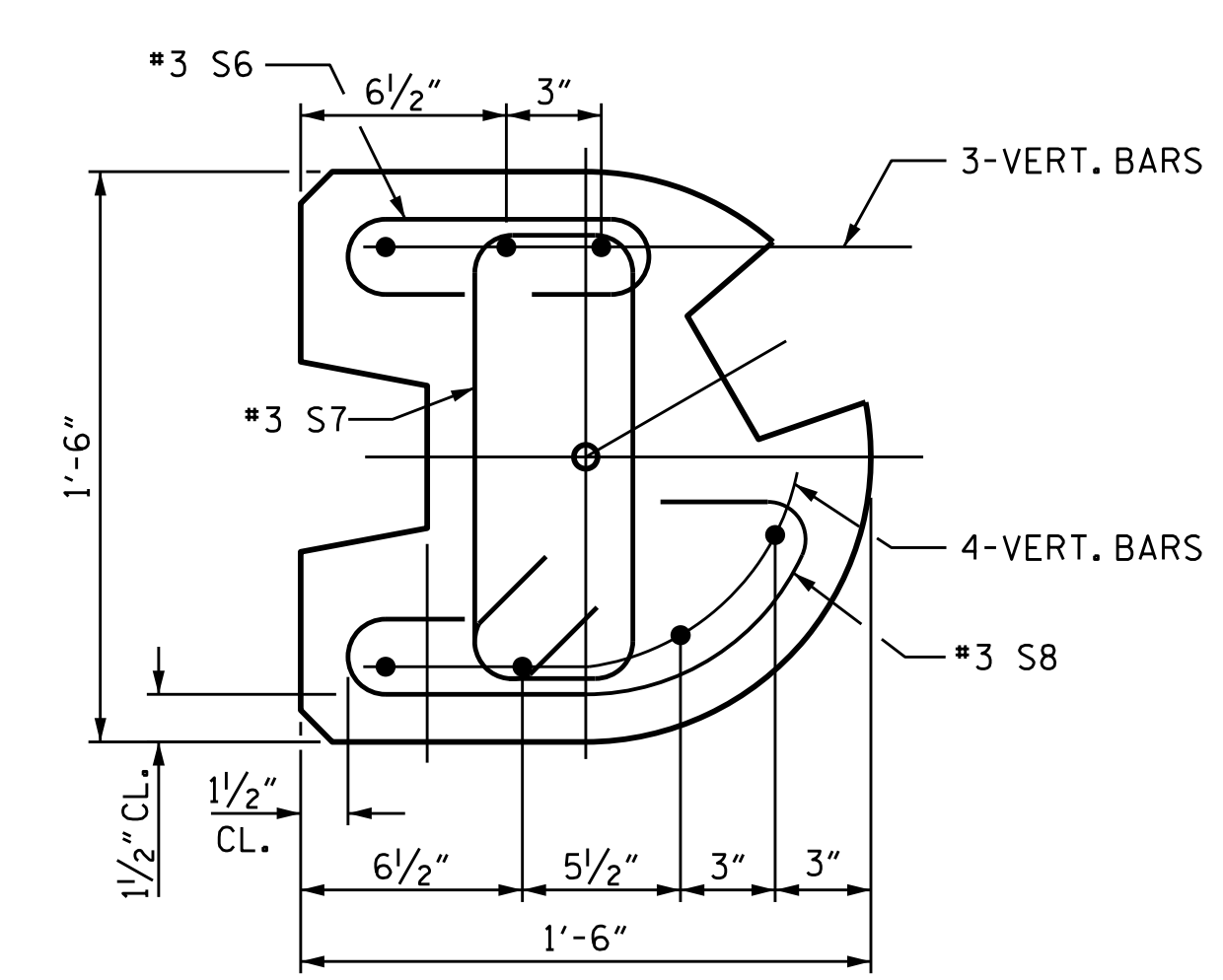
TYPE - I



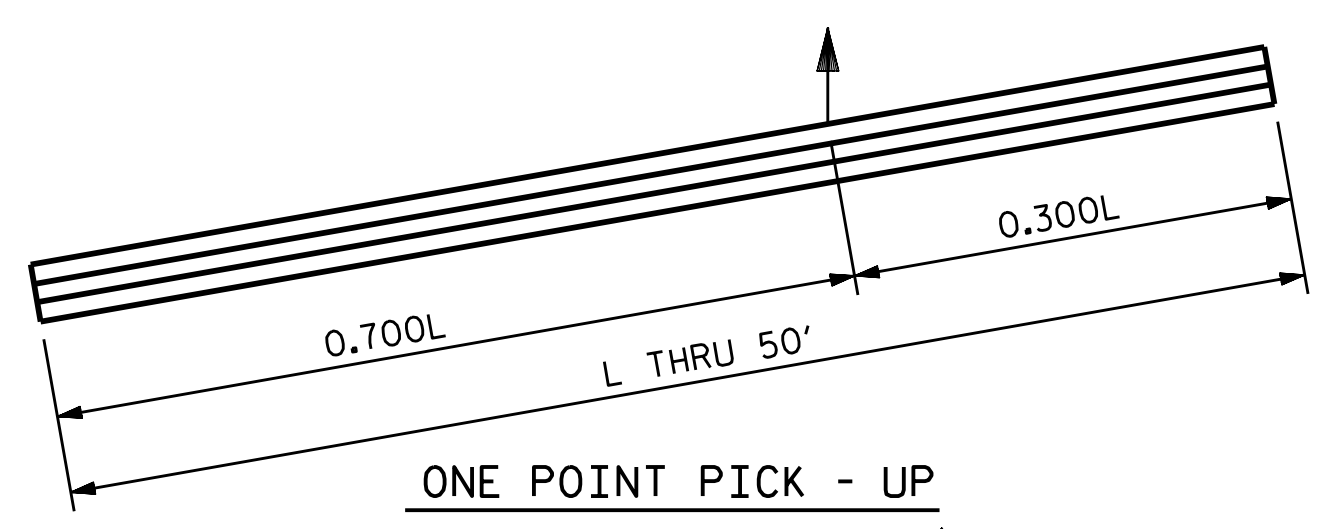
TYPE - II



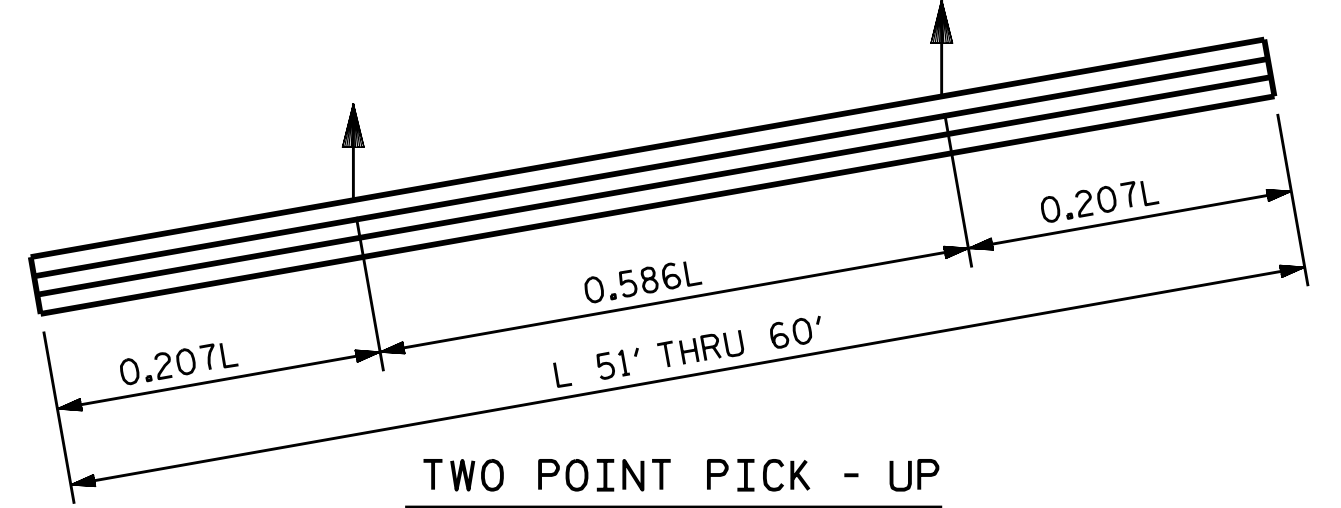
TYPE - III



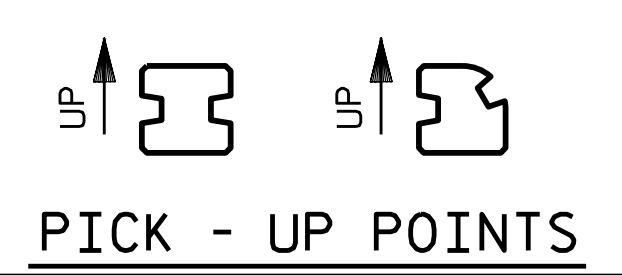
TYPE - III (ALT.)



ONE POINT PICK - UP



TWO POINT PICK - UP



PICK - UP POINTS

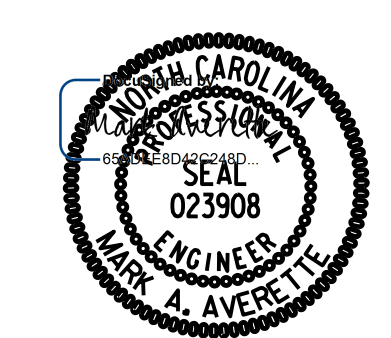
PILE DETAIL

FOR VERTICAL BAR PILE REINFORCING, SEE SHEET 1 OF 3

PROJECT NO. I-2513AA/AB
BUNCOMBE COUNTY
 STATION: 63+46.57 -Y-
 SHEET 3 OF 5 10+00.00 -NW5A-

STATE OF NORTH CAROLINA
 DEPARTMENT OF TRANSPORTATION
 RALEIGH

**SOUND BARRIER WALL
 DETAILS
 -NW5A- AND -NW5B-**



REVISIONS				SHEET NO.	
NO.	BY:	DATE:	NO.	BY:	DATE:
1			3		
2			4		

DRAWN BY : T. BANKOVICH DATE : 7-23
 CHECKED BY : M.A. AVERETTE DATE : 7-23
 DESIGN ENGINEER OF RECORD: M.A. AVERETTE DATE : 7-23

**DOCUMENT NOT CONSIDERED FINAL
 UNLESS ALL SIGNATURES COMPLETED**

TOTAL SHEETS
 5