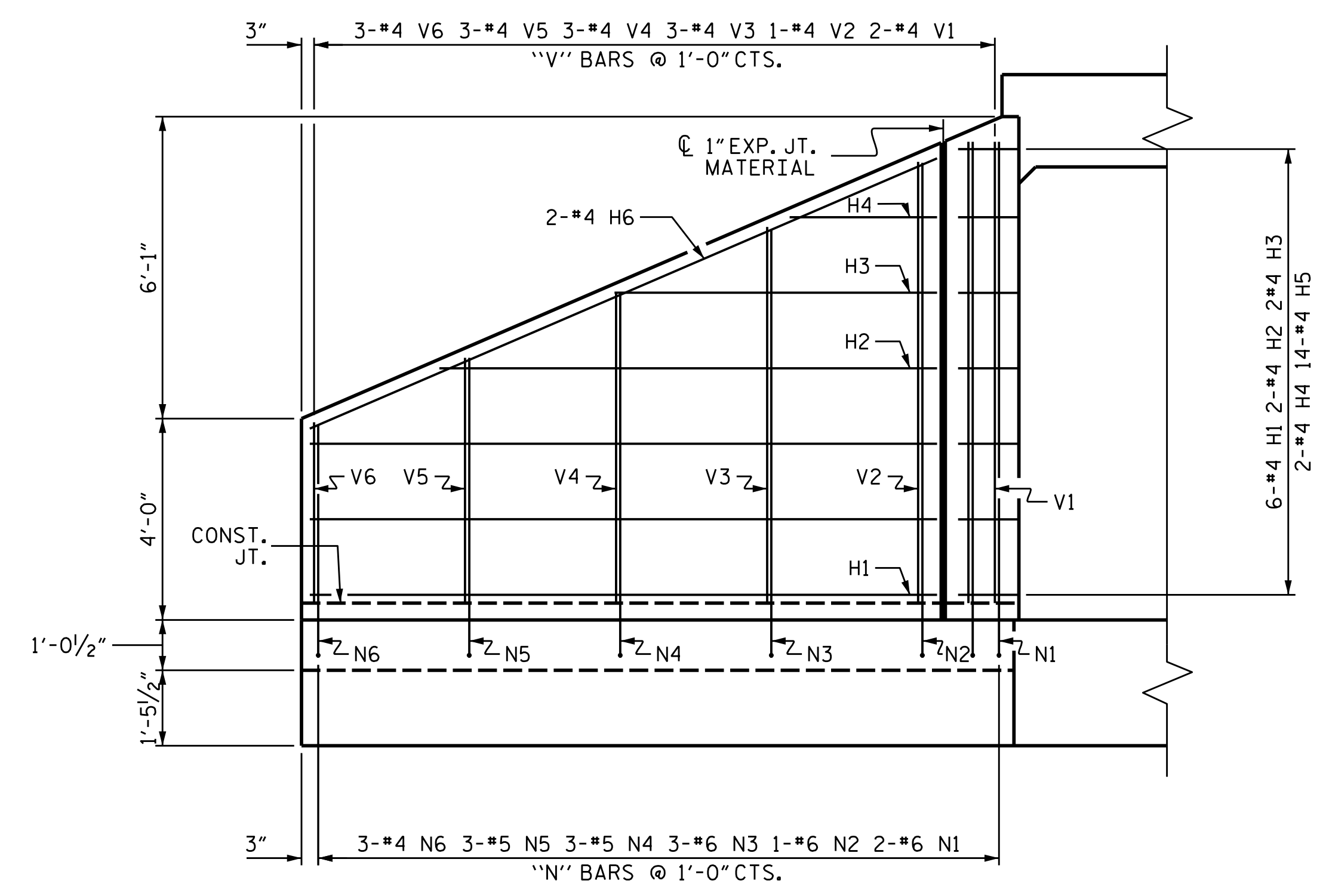
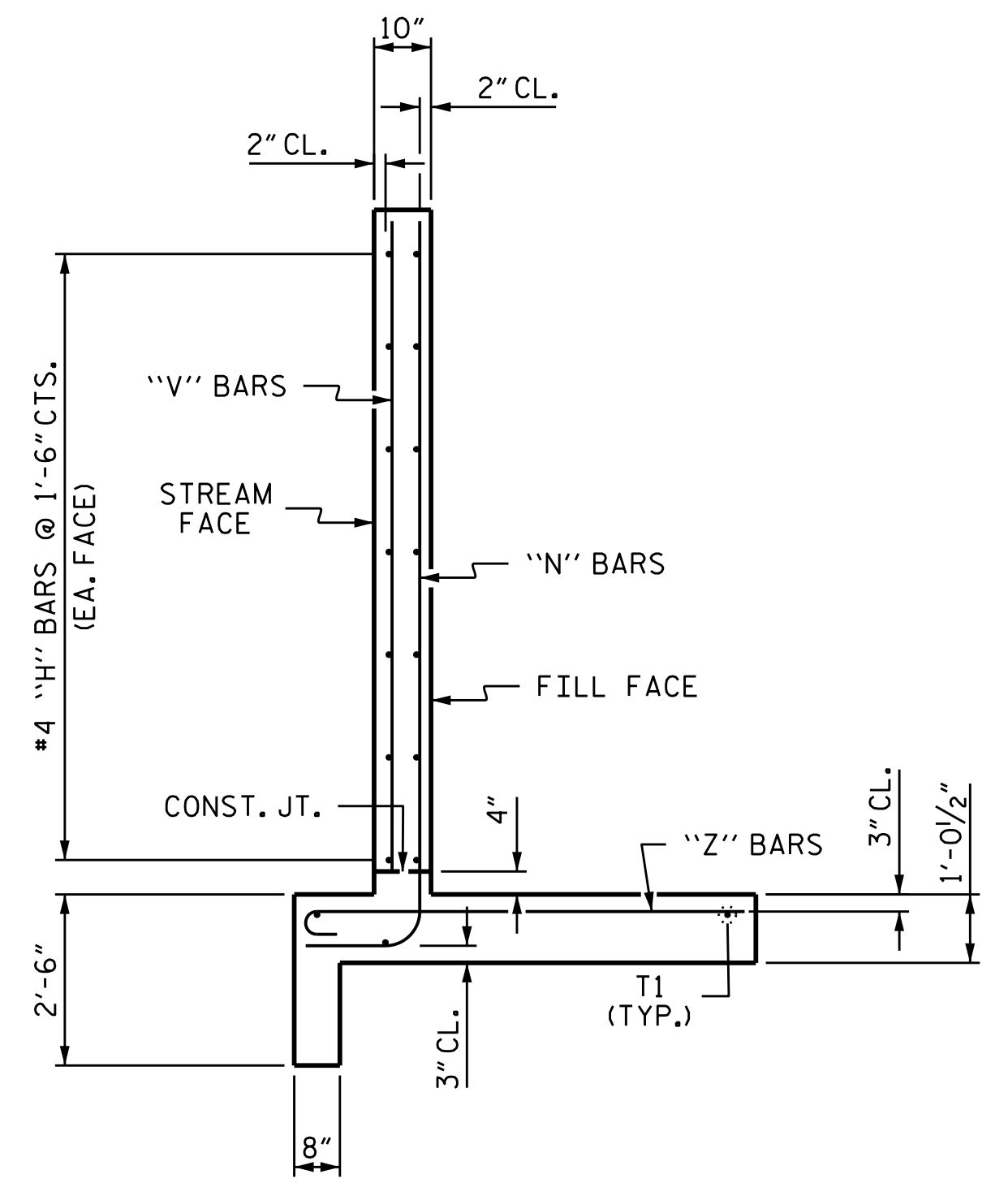


PLAN (W1)



ELEVATION (W1)



TYPICAL WING SECTION

BAR TYPES

ALL BAR DIMENSIONS ARE OUT TO OUT.

BILL OF MATERIAL

BAR	NO.	SIZE	TYPE	LENGTH	WEIGHT
H1	12	#4	STR	12'-5"	100
H2	4	#4	STR	9'-10"	26
H3	4	#4	STR	6'-5"	17
H4	4	#4	STR	2'-11"	8
H5	28	#4	1	3'-3"	61
H6	4	#4	STR	13'-6"	36
N1	4	#6	2	11'-2"	67
N2	2	#6	2	10'-10"	33
N3	6	#6	2	9'-6"	86
N4	6	#5	2	8'-3"	52
N5	6	#5	2	6'-11"	43
N6	6	#4	2	5'-7"	22
S1	6	#6	STR	6'-0"	54
T1	6	#5	STR	14'-3"	89
V1	4	#4	STR	9'-2"	24
V2	2	#4	STR	8'-9"	12
V3	6	#4	STR	7'-5"	30
V4	6	#4	STR	6'-2"	25
V5	6	#4	STR	4'-10"	19
V6	6	#4	STR	3'-7"	14
Z1	6	#6	3	6'-7"	59
Z2	6	#6	3	5'-10"	53
Z3	6	#5	3	5'-0"	31
Z4	6	#5	3	4'-2"	26
Z5	6	#4	3	3'-4"	13

REINFORCING STEEL FOR 2 WINGS 2866 LBS

CLASS A CONCRETE

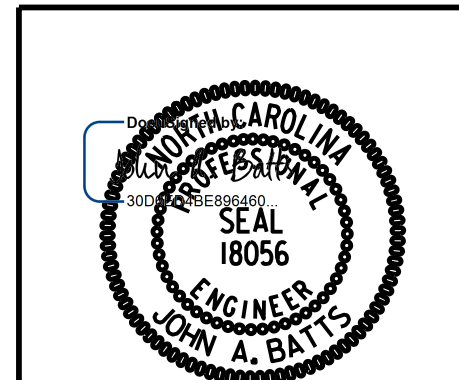
2 WINGS	13.3	CY
1 HEADWALL	0.4	CY
1 END CURTAIN WALL	0.5	CY
2 EDGEBEAMS	0.6	CY
TOTAL	14.8	CY

PROJECT NO. I-2513AA/AB
BUNCOMBE COUNTY
 STATION: 24+63.79 -RPC-

SHEET 5 OF 6

STATE OF NORTH CAROLINA
 DEPARTMENT OF TRANSPORTATION
 RALEIGH

WINGS FOR CULVERT BOX CULVERT
 H = 9'-0" SLOPE = 2:1
 90° SKEW



REVISIONS

NO.	BY:	DATE:	NO.	BY:	DATE:
1			3		
2			4		

SHEET NO. C2-5
 TOTAL SHEETS 6

12/14/2023 11:17:02 AM c:\pwworking\cecom_ds21_na_2020\d0131628\I-2513AA_SMU_CU5_104007.dgn

DRAWN BY : _____ DATE : 4-23
 CHECKED BY : J.A. BATTS DATE : 4-23
 DESIGN ENGINEER OF RECORD: J.A. BATTS DATE : 4-23

DOCUMENT NOT CONSIDERED FINAL
 UNLESS ALL SIGNATURES COMPLETED