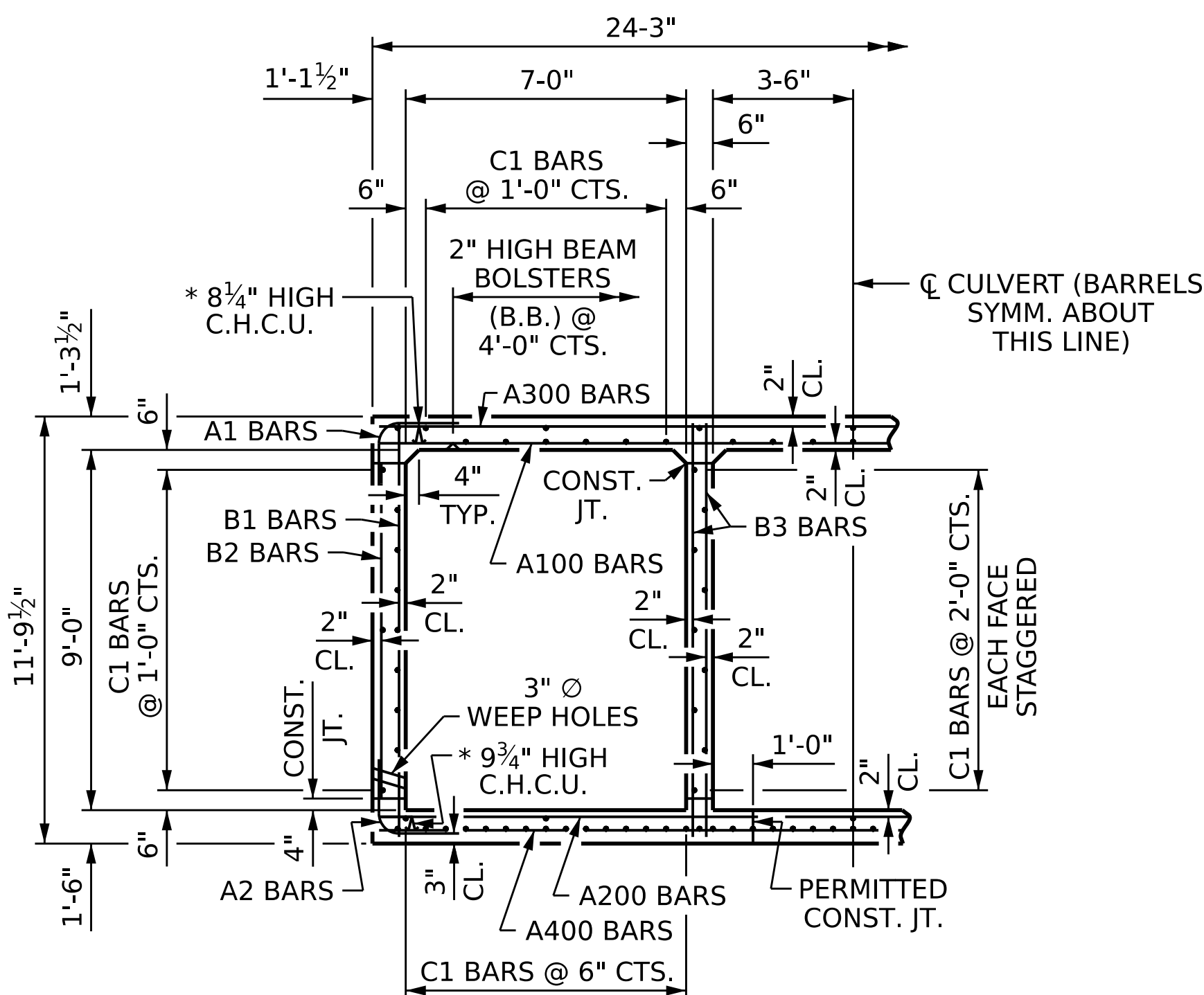


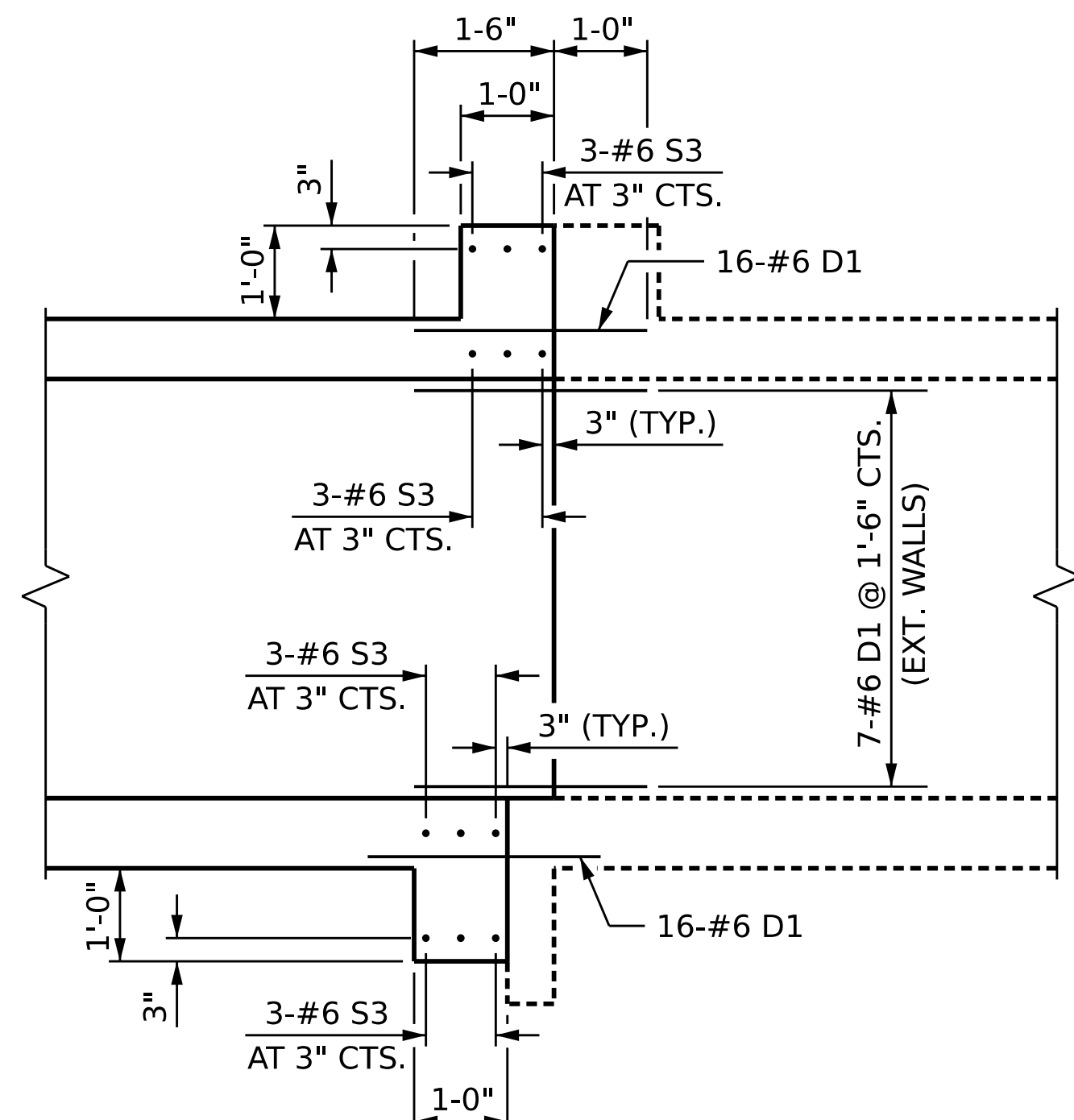
12/14/2023 11:20:29 AM c:\pwworking\king\ecom\_ds21\_na\_2020\d0131607\I-2513AA-SMU\_CU4\_100320.dgn



\* ALL CONTINUOUS HIGH CHAIR UPPER (C.H.C.U.) @ 3'-0" CTS.

**RIGHT ANGLE SECTION OF BARREL**

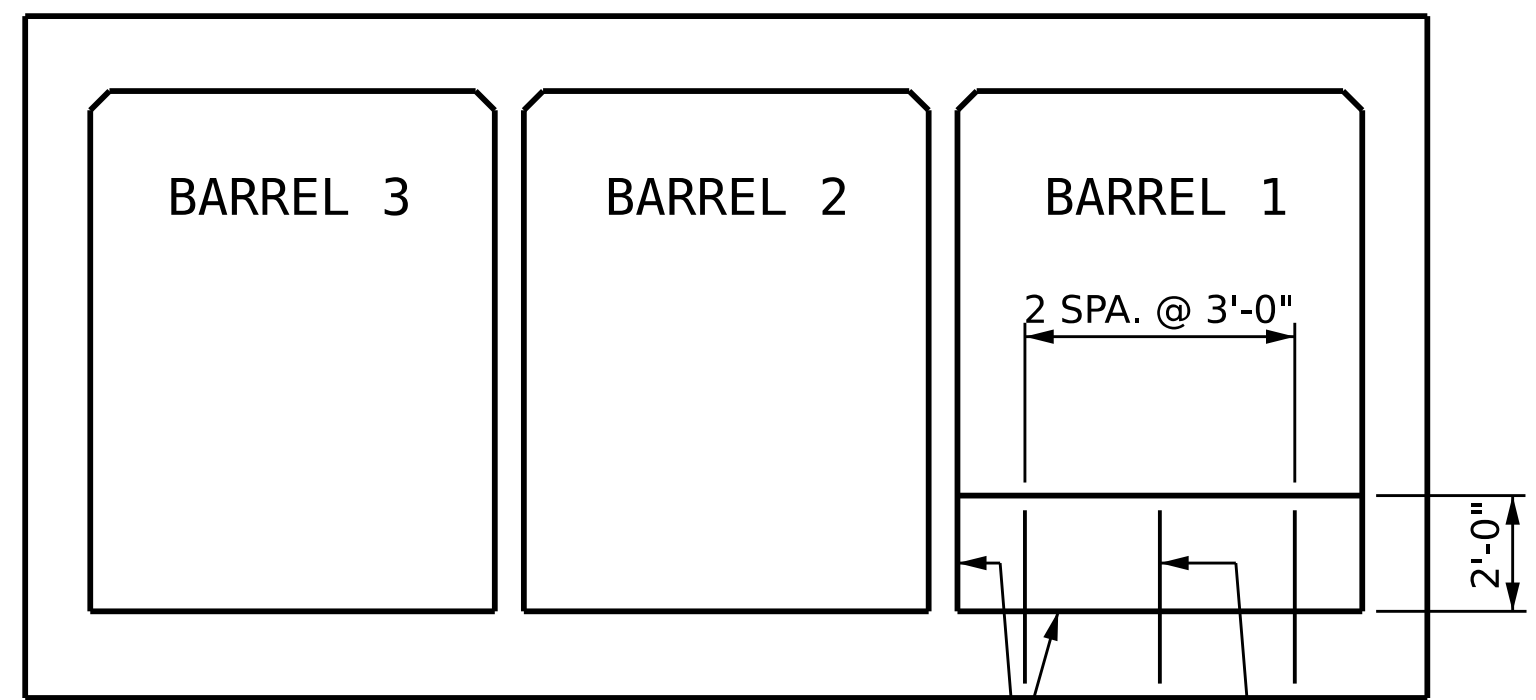
THERE ARE 118 "C" BARS IN SECTION OF BARREL



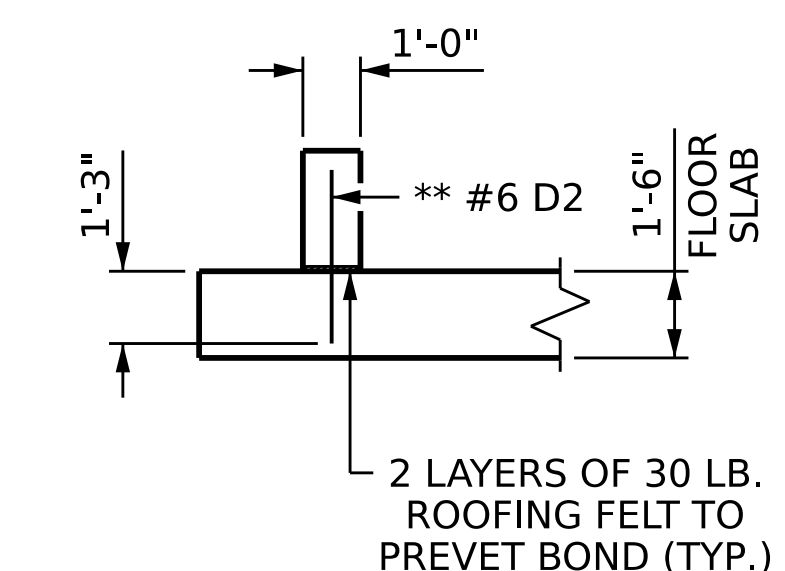
PROPOSED EXTENSION

EXISTING BARREL

**EDGE BEAM DETAIL FOR CULVERT EXTENSION**



**ELEVATION - OUTLET END LOOKING UPSTREAM**



**SECTION THROUGH SILL**

\*\* DOWELS MAY BE PUSHED INTO GREEN CONCRETE AFTER SLAB HAS BEEN FLOAT FINISHED.

**CULVERT SILL DETAILS**

BACKFILL BARREL 1 WITH 2'-0" OF NATIVE MATERIALS (SEE CULVERT SURVEY AND HYDRAULIC DESIGN REPORT FOR DESCRIPTION OF AND PLACEMENT OF NATIVE MATERIAL)

BILL OF MATERIAL					
BAR	NO.	SIZE	TYPE	LENGTH	WEIGHT
A100	154	5	STR	23'-11"	3842
A101	1	5	STR	19'-4"	20
A102	1	5	STR	15'-7"	16
A103	1	5	STR	11'-10"	12
A104	1	5	STR	8'-0"	8
A105	1	5	STR	4'-3"	4
A200	154	5	STR	23'-11"	3842
A201	1	5	STR	19'-4"	20
A202	1	5	STR	15'-7"	16
A203	1	5	STR	11'-10"	12
A204	1	5	STR	8'-0"	8
A205	1	5	STR	4'-3"	4
A300	154	6	STR	23'-11"	5532
A301	1	6	STR	19'-4"	29
A302	1	6	STR	15'-7"	23
A303	1	6	STR	11'-10"	18
A304	1	6	STR	8'-0"	12
A305	1	6	STR	4'-3"	6

\* INDICATES EPOXY COATED REINFORCING STEEL

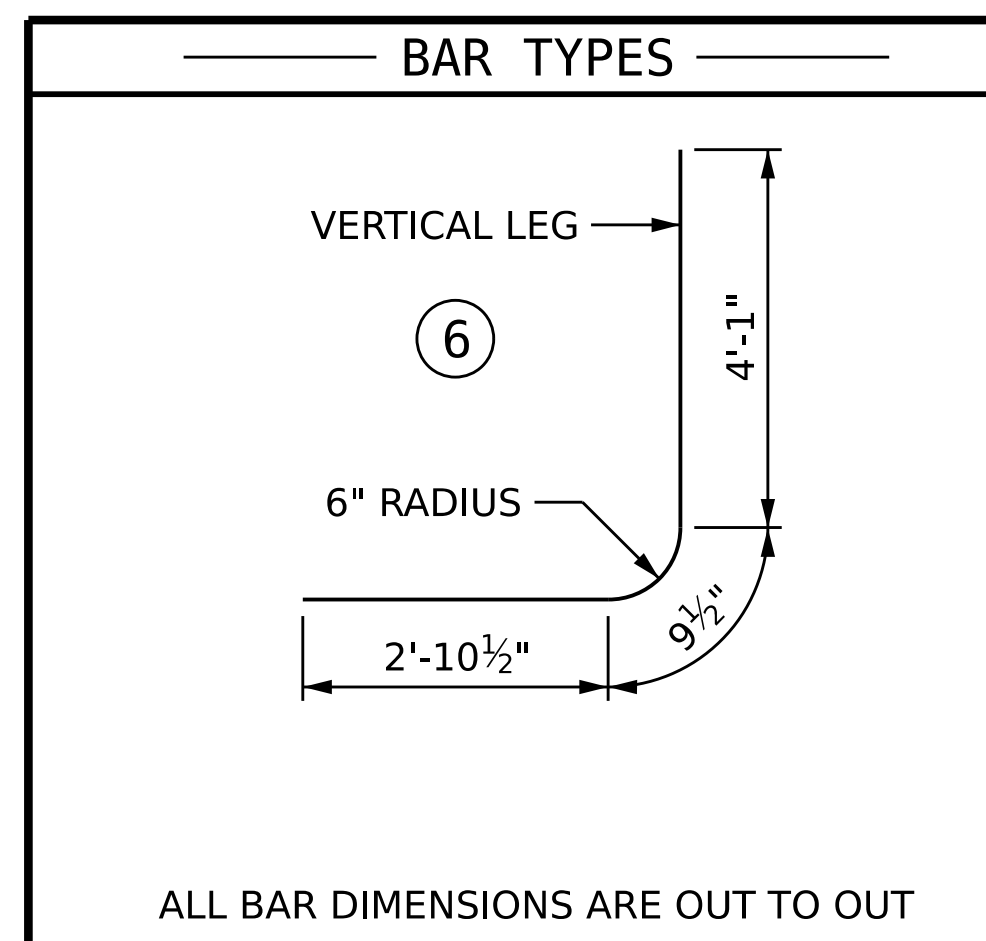
BILL OF MATERIAL					
BAR	NO.	SIZE	TYPE	LENGTH	WEIGHT
A400	154	6	STR	23'-11"	5532
A401	1	6	STR	19'-4"	29
A402	1	6	STR	15'-7"	23
A403	1	6	STR	11'-10"	18
A404	1	6	STR	8'-0"	12
A405	1	6	STR	4'-3"	6
A1	314	5	6	7'-9"	2538
A2	314	5	6	7'-9"	2538
B1	314	5	STR	11'-4"	3712
B2	314	4	STR	8'-4"	1748
B3	628	4	STR	11'-4"	4754
C1	354	4	STR	33'-9"	7981
D1	15	6	STR	2'-6"	56
D2	10	6	STR	3'-0"	45
G1	4	5	STR	23'-11"	100
S3	12	6	STR	24'-2"	436

REINFORCING STEEL LBS 42952

**CLASS A CONCRETE BREAKDOWN**

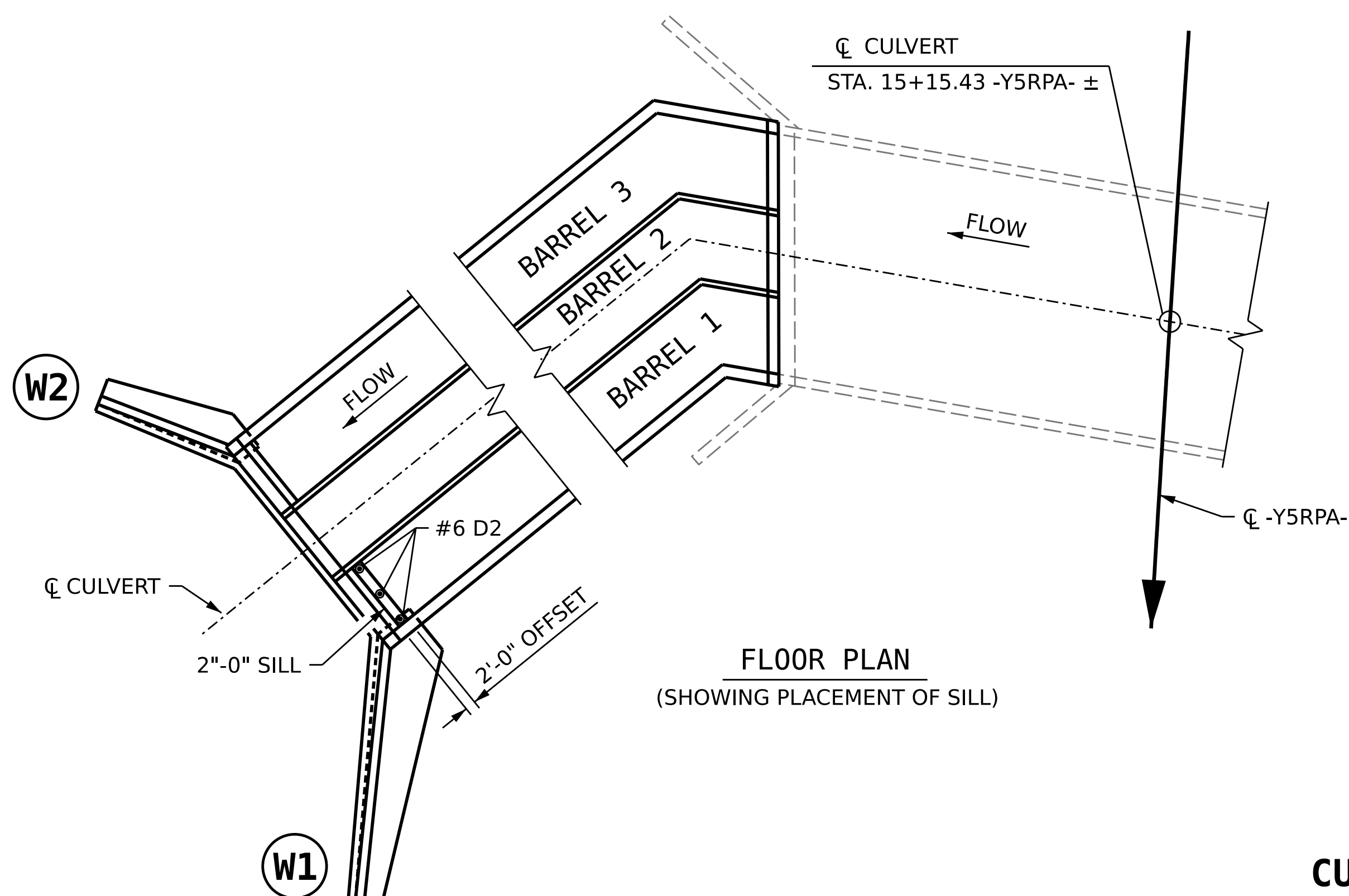
BARREL	CY	345
HEADWALL	CY	1.1
EDGE BEAMS	CY	1.8
SILL	CY	0.5
<b>TOTAL CLASS A CONCRETE</b>	<b>CY</b>	<b>348.4</b>

\* INDICATES EPOXY COATED REINFORCING STEEL



ALL BAR DIMENSIONS ARE OUT TO OUT

SPLICE CHART	
#5 B1 SPLICE LENGTH =	2'-4"
#4 B3 SPLICE LENGTH =	1'-11"
#4 C1 SPLICE LENGTH =	2'-5"
#5 A200 SPLICE LENGTH =	2'-4"
#6 A400 SPLICE LENGTH =	3'-7"



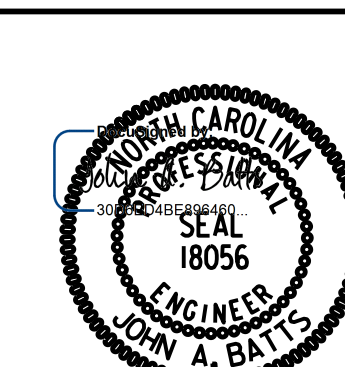
**FLOOR PLAN**  
(SHOWING PLACEMENT OF SILL)

PROJECT NO. I-2513AA/AB  
BUNCOMBE COUNTY  
STATION: 59+50.00 -Y-

SHEET 4 OF 7

STATE OF NORTH CAROLINA  
DEPARTMENT OF TRANSPORTATION  
RALEIGH

**TRIPLE 7FT. X 9FT. CONCRETE BOX CULVERT**



12/14/2023 | 8:57 AM

DRAWN BY : S.D. COOPER DATE : 5-23  
CHECKED BY : J.A. BATTS DATE : 5-23  
DESIGN ENGINEER OF RECORD: J.A. BATTS DATE : 5-23

REVISIONS				SHEET NO.	
NO.	BY:	DATE:	NO.	BY:	DATE:
1			3		
2			4		

DOCUMENT NOT CONSIDERED FINAL UNLESS ALL SIGNATURES COMPLETED

TOTAL SHEETS 7