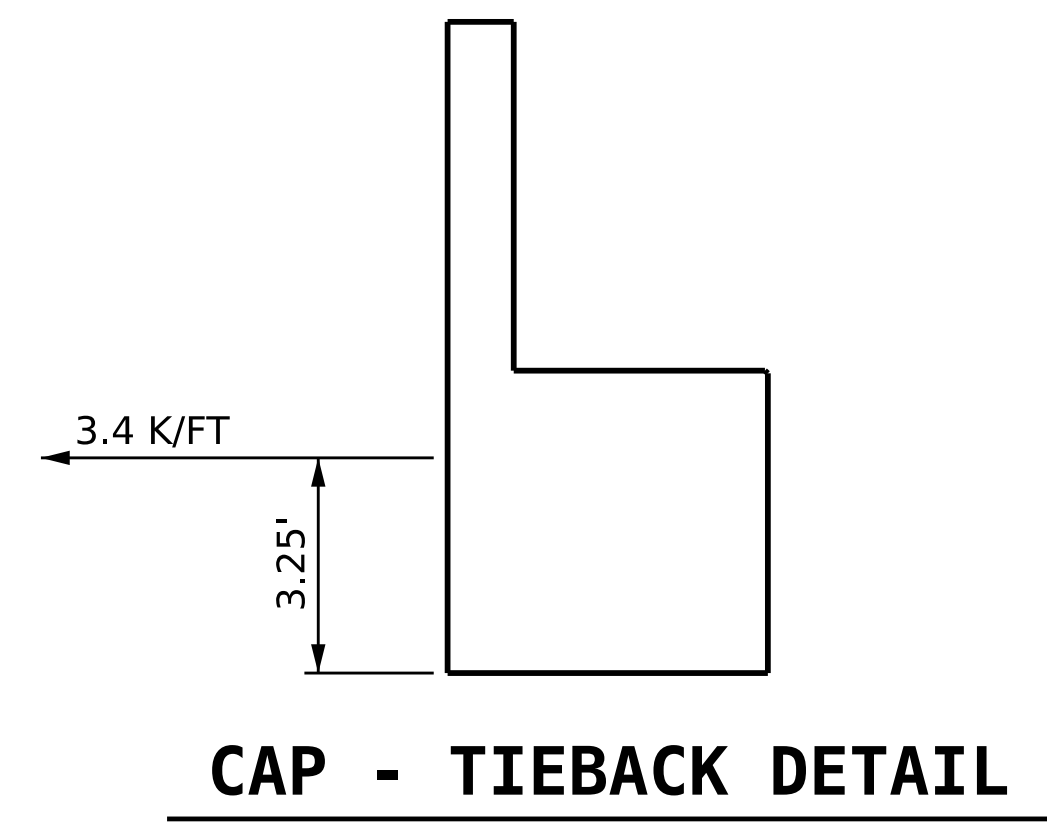


BAGGED STONE AND PIPE SHALL BE PLACED IMMEDIATELY AFTER COMPLETION OF END BENT EXCAVATION. PIPE MAY BE EITHER CONCRETE, CORRUGATED STEEL, CORRUGATED ALUMINUM ALLOY, OR CORRUGATED PLASTIC. PERFORATED PIPE WILL NOT BE ALLOWED.

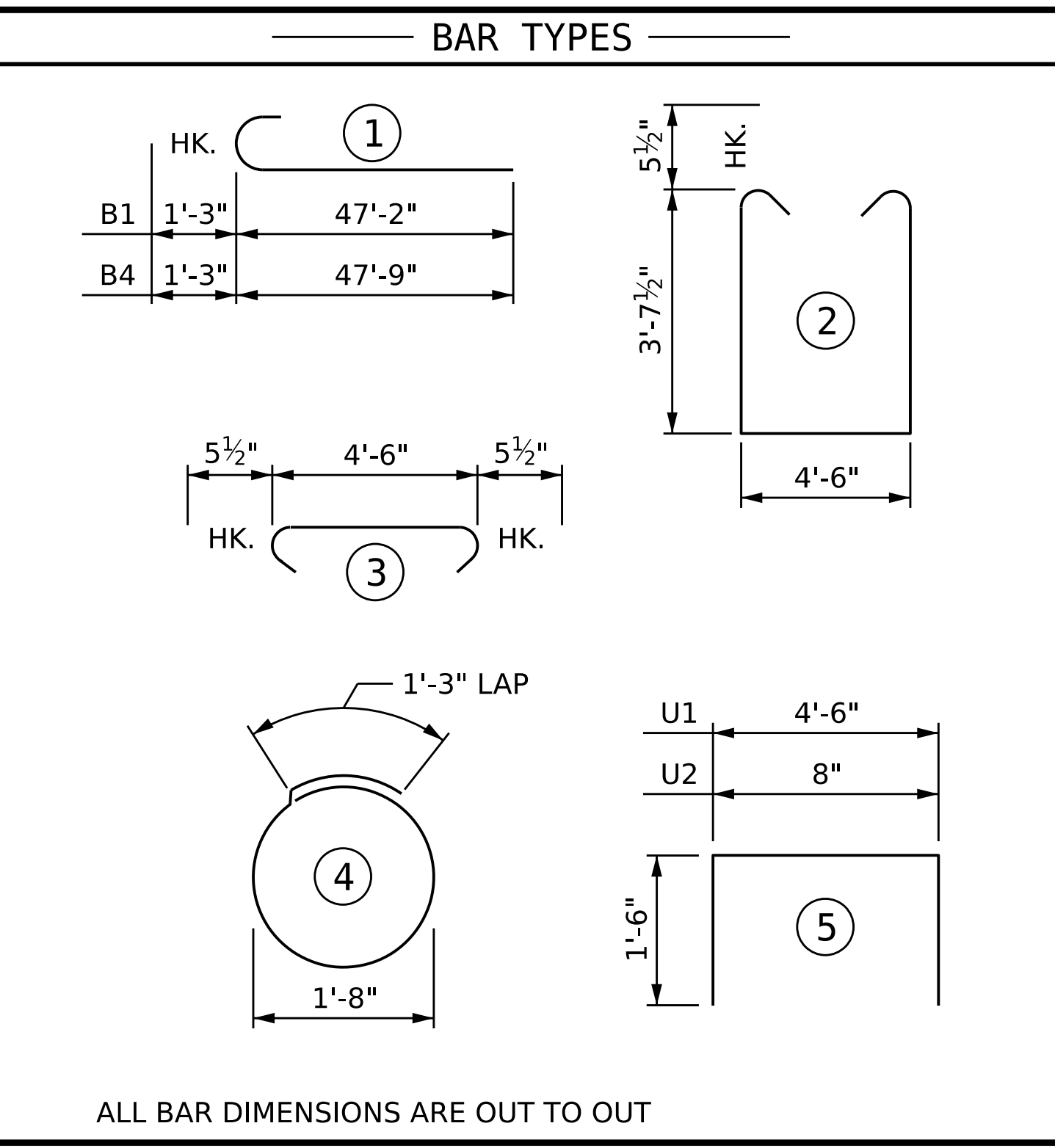
BAGGED STONE SHALL REMAIN IN PLACE UNTIL THE ENGINEER DIRECTS THAT IT BE REMOVED. THE CONTRACTOR SHALL REMOVE AND DISPOSE OF SILT ACCUMULATIONS AT BAGGED STONE WHEN SO DIRECTED BY THE ENGINEER. BAGS SHALL BE REMOVED AND REPLACED WHENEVER THE ENGINEER DETERMINES THAT THEY HAVE DETERIORATED AND LOST THEIR EFFECTIVENESS.

NO SEPARATE PAYMENT WILL BE MADE FOR THIS WORK AND THE ENTIRE COST OF THIS WORK SHALL BE INCLUDED IN THE UNIT CONTRACT PRICE BID FOR THE SEVERAL PAY ITEMS.

TEMPORARY DRAINAGE AT END BENT

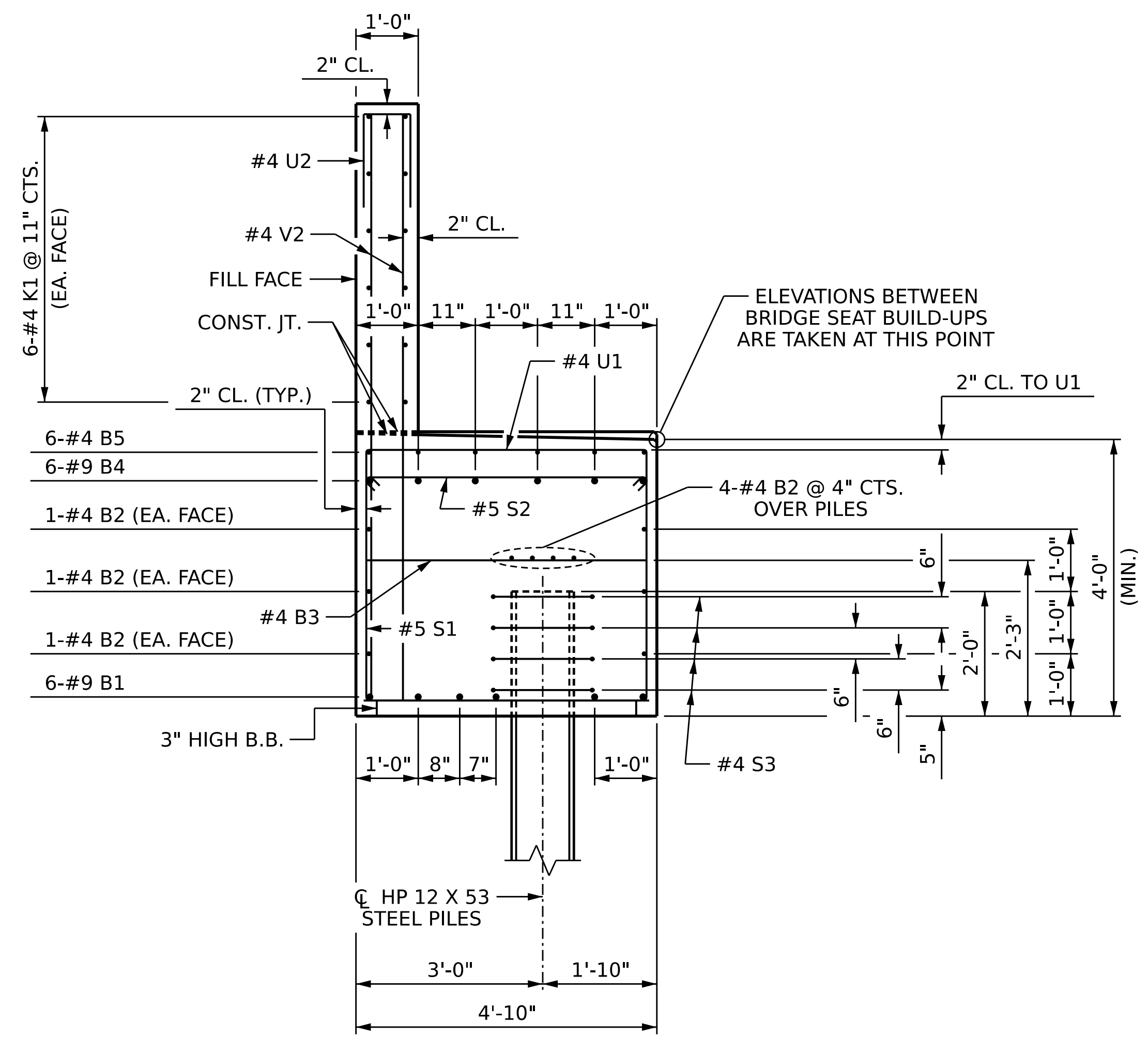


CAP - TIEBACK DETAIL

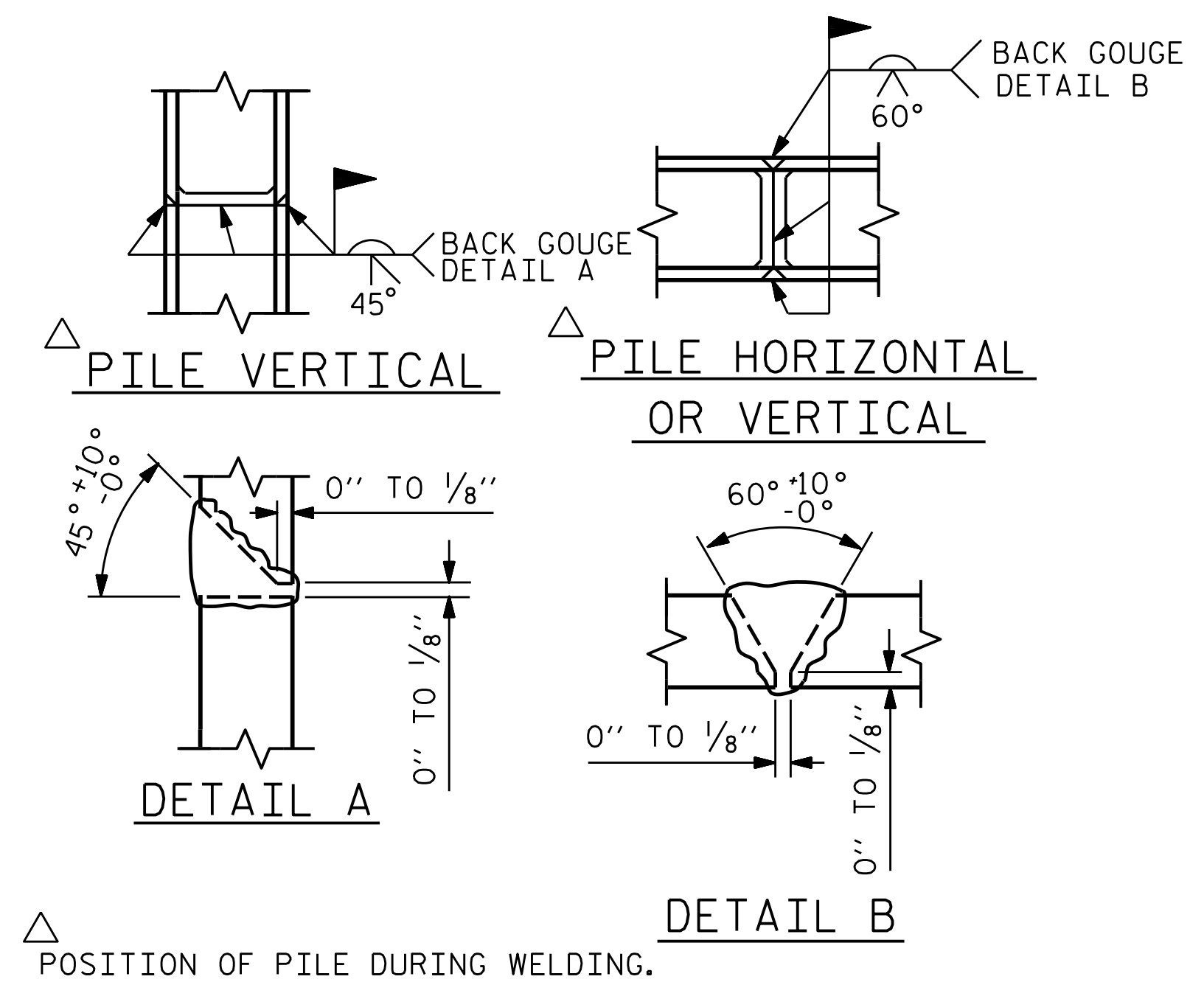


ALL BAR DIMENSIONS ARE OUT TO OUT

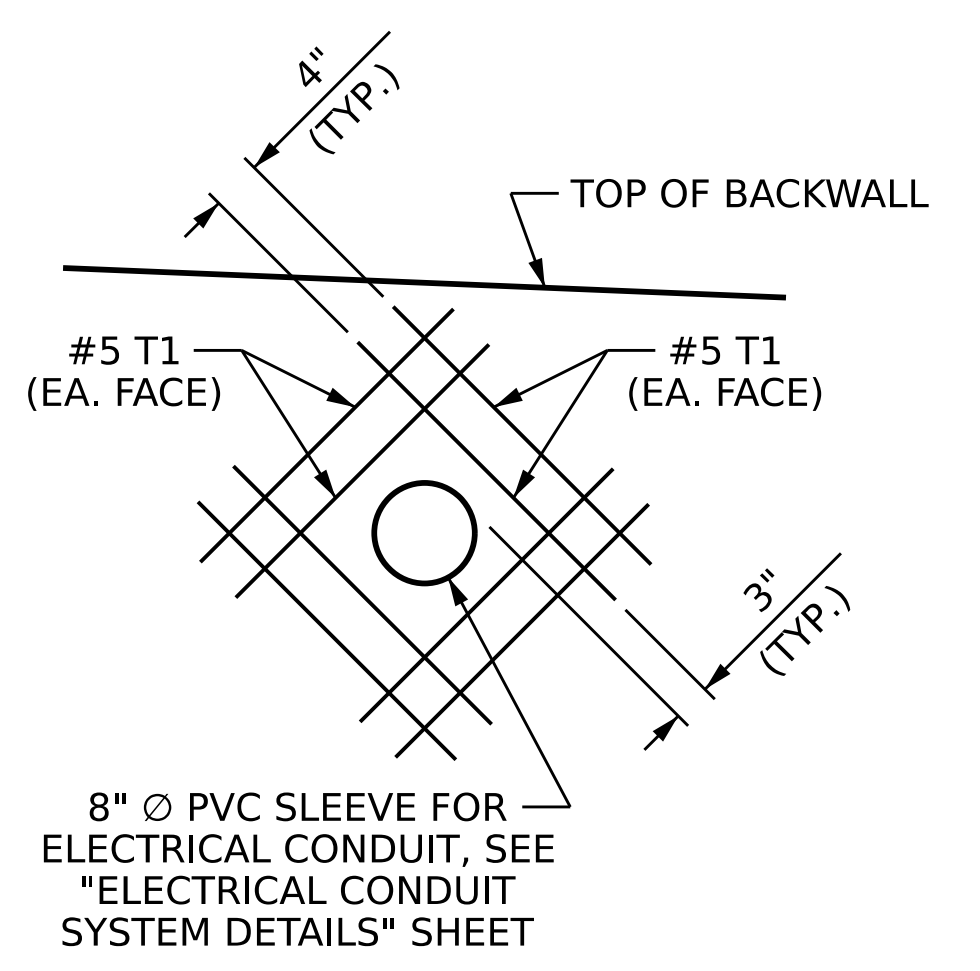
BILL OF MATERIAL					
END BENT 2					
BAR	NO.	SIZE	TYPE	LENGTH	WEIGHT
B1	12	#9	1	48'-5"	1975
B2	30	#4	STR	31'-9"	636
B3	22	#4	STR	4'-6"	66
B4	12	#9	1	49'-0"	1999
B5	12	#4	STR	15'-2"	122
B6	6	#4	STR	33'-1"	133
K1	36	#4	STR	31'-9"	764
K2	4	#4	STR	22'-10"	61
K3	4	#4	STR	6'-10"	18
S1	89	#5	2	12'-8"	1176
S2	89	#5	3	5'-5"	503
S3	40	#4	4	6'-6"	174
T1	16	#5	STR	2'-5"	40
U1	45	#4	5	7'-6"	225
U2	90	#4	5	3'-8"	220
VI	46	#5	STR	10'-11"	524
V2	118	#5	STR	8'-10"	1087
V3	17	#5	STR	10'-2"	180
TOTAL REINFORCING STEEL					9903 LB



SECTION A-A



PILE SPLICE DETAILS



DETAIL "B"

CLASS A CONCRETE BREAKDOWN	
POUR 1 (CAP, & COLLARS)	68.4 CY
POUR 2 (BACKWALL)	19.6 CY
TOTAL	88.0 CY

PROJECT NO. I-2513AA/AB
 BUNCOMBE COUNTY
 STATION: 20+16.70 -Y5RPA-

SHEET 2 OF 2

STATE OF NORTH CAROLINA
 DEPARTMENT OF TRANSPORTATION
 RALEIGH
 SUBSTRUCTURE

END BENT 2

W WGI
 5640 Dillard Drive, Suite 200
 Cary, NC 27518
 LICENSURE NO. C-4434

STATE OF NORTH CAROLINA
 PROFESSIONAL SEAL
 023908
 ENGINEER
 MARK A. AVERETTE

REVISIONS				SHEET NO.	
NO.	BY:	DATE:	NO.	BY:	DATE:
1			3		
2			4		

TOTAL SHEETS: 49

12/21/2023 1:49:50 PM c:\pwworking\cecom_ds21_na_2020\d0252774\I2513AA_SMU_EB5_100902.dgn

DRAWN BY : T. BANKOVICH DATE : 12-23
 CHECKED BY : M.A. AVERETTE DATE : 12-23
 DESIGN ENGINEER OF RECORD: M.A. AVERETTE DATE : 12-23

DOCUMENT NOT CONSIDERED FINAL
 UNLESS ALL SIGNATURES COMPLETED