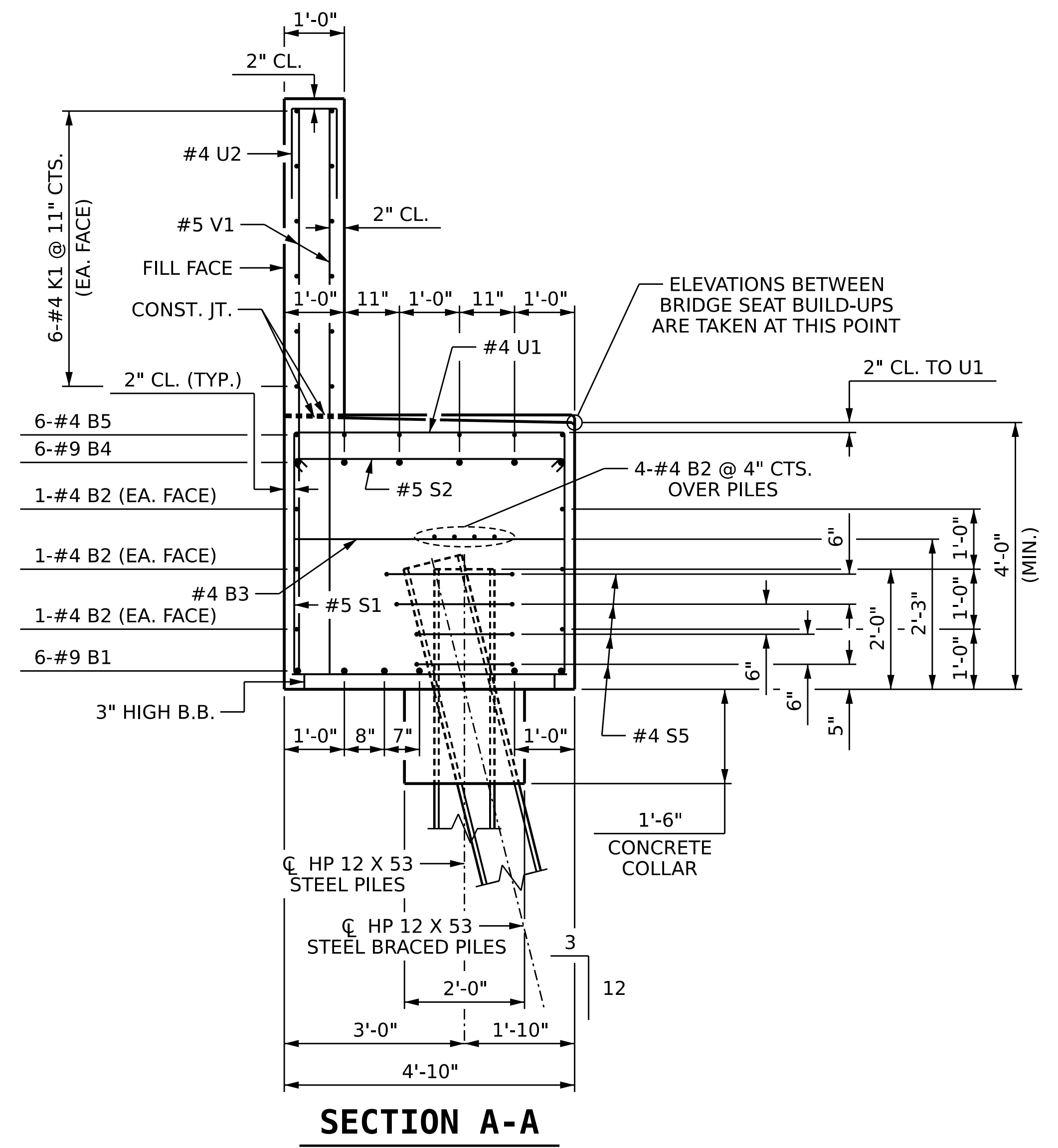


BAGGED STONE AND PIPE SHALL BE PLACED IMMEDIATELY AFTER COMPLETION OF END BENT EXCAVATION. PIPE MAY BE EITHER CONCRETE, CORRUGATED STEEL, CORRUGATED ALUMINUM ALLOY, OR CORRUGATED PLASTIC. PERFORATED PIPE WILL NOT BE ALLOWED.

BAGGED STONE SHALL REMAIN IN PLACE UNTIL THE ENGINEER DIRECTS THAT IT BE REMOVED. THE CONTRACTOR SHALL REMOVE AND DISPOSE OF SILT ACCUMULATIONS AT BAGGED STONE WHEN SO DIRECTED BY THE ENGINEER. BAGS SHALL BE REMOVED AND REPLACED WHENEVER THE ENGINEER DETERMINES THAT THEY HAVE DETERIORATED AND LOST THEIR EFFECTIVENESS.

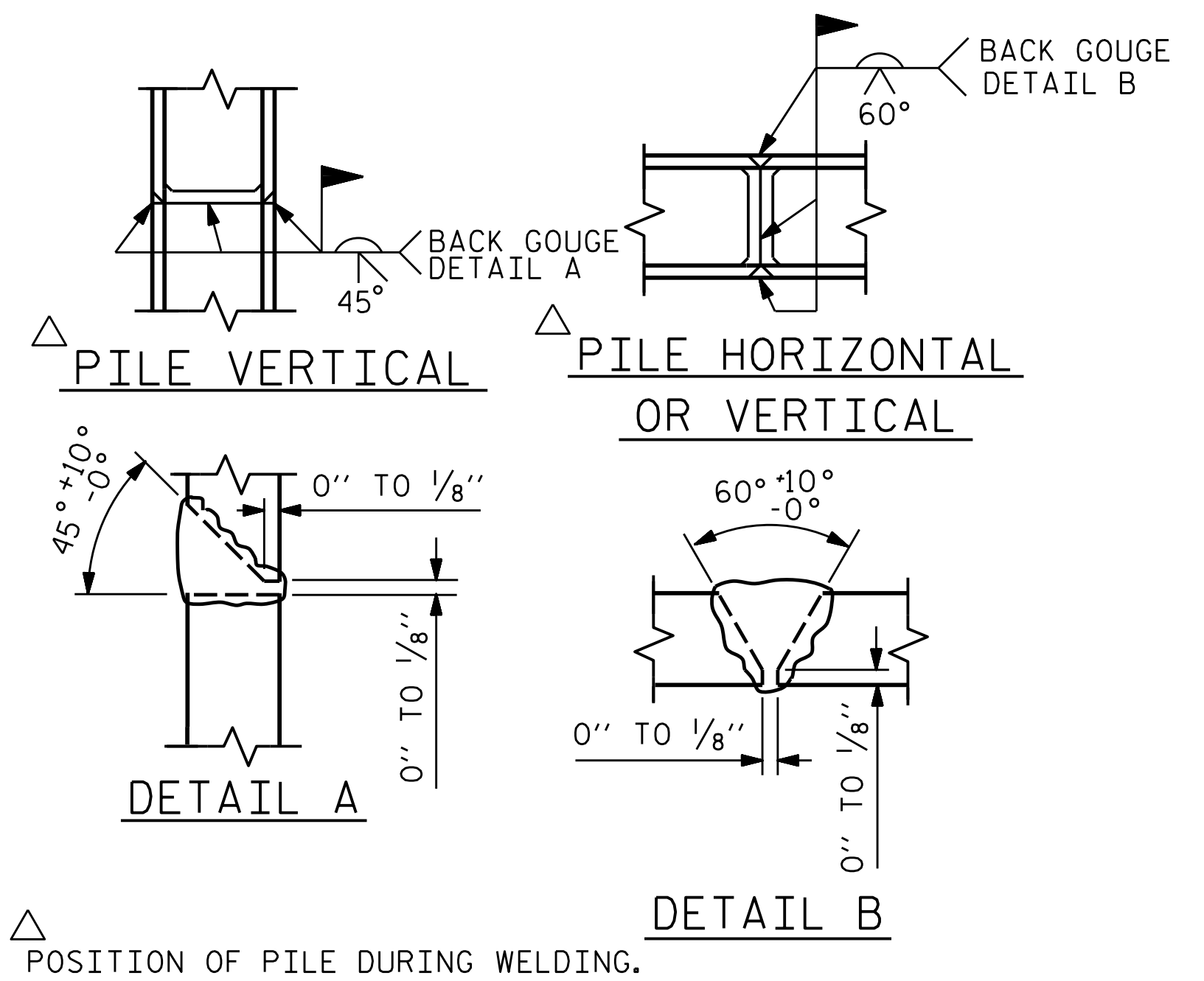
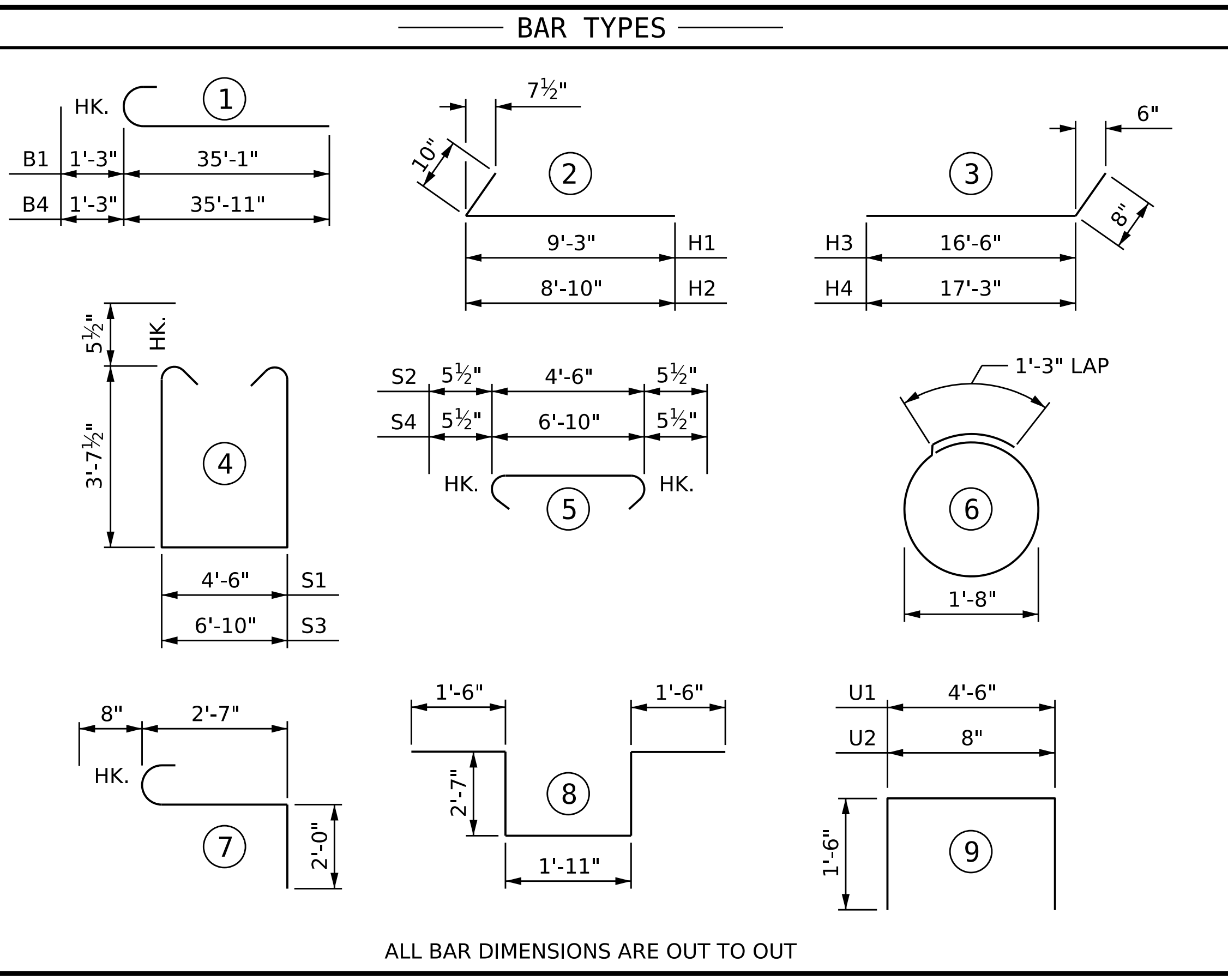
NO SEPARATE PAYMENT WILL BE MADE FOR THIS WORK AND THE ENTIRE COST OF THIS WORK SHALL BE INCLUDED IN THE UNIT CONTRACT PRICE BID FOR THE SEVERAL PAY ITEMS.

TEMPORARY DRAINAGE AT END BENT

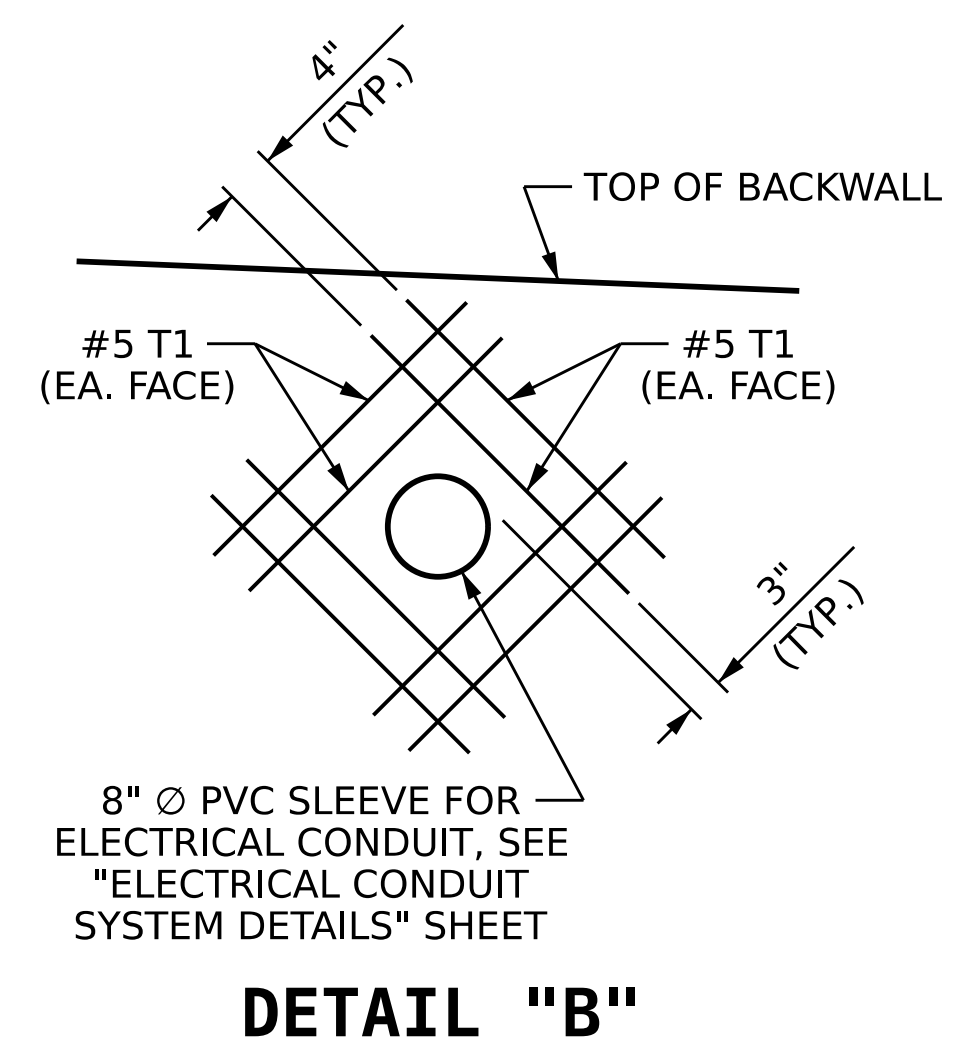


SECTION A-A

DRAWN BY : T. BANKOVICH DATE : 12-23
 CHECKED BY : M.A. AVERETTE DATE : 12-23
 DESIGN ENGINEER OF RECORD: M.A. AVERETTE DATE : 12-23



PILE SPLICE DETAILS



BILL OF MATERIAL					
END BENT 1					
BAR	NO.	SIZE	TYPE	LENGTH	WEIGHT
B1	12	#9	1	36'-4"	1482
B2	20	#4	STR	34'-4"	459
B3	15	#4	STR	4'-6"	45
B4	12	#9	1	37'-2"	1516
B5	24	#4	STR	10'-1"	162
B6	6	#4	STR	8'-7"	34
H1	15	#5	2	10'-1"	158
H2	15	#5	2	9'-8"	151
H3	12	#4	3	17'-2"	138
H4	12	#4	3	17'-11"	144
K1	24	#4	STR	34'-4"	550
K2	4	#4	STR	3'-9"	10
K3	4	#4	STR	4'-1"	11
S1	78	#5	4	12'-8"	1030
S2	78	#5	5	5'-5"	441
S3	2	#5	4	15'-0"	31
S4	2	#5	5	7'-9"	16
S5	32	#4	6	6'-6"	139
S6	3	#6	8	10'-1"	45
S7	3	#6	7	5'-3"	24
T1	16	#5	STR	2'-5"	40
U1	34	#4	9	7'-6"	170
U2	57	#4	9	3'-8"	140
V1	114	#5	STR	8'-11"	1060
V2	27	#5	STR	10'-6"	296
V3	45	#5	STR	11'-2"	524
TOTAL REINFORCING STEEL					8816 LB
CLASS A CONCRETE BREAKDOWN					
POUR 1					
(CAP, COLLARS & LOWER WINGS)					47.0 CY
POUR 2					
(UPPER WINGS & BACKWALL)					17.0 CY
TOTAL					64.0 CY

PROJECT NO. I-2513AA/AB
 BUNCOMBE COUNTY
 STATION: 20+16.70 -Y5RPA-

SHEET 3 OF 3

STATE OF NORTH CAROLINA
 DEPARTMENT OF TRANSPORTATION
 RALEIGH
 SUBSTRUCTURE

END BENT 1

W WGI
 5640 Dillard Drive, Suite 200
 Cary, NC 27518
 LICENSURE NO. C-4434

STATE OF NORTH CAROLINA
 PROFESSIONAL SEAL
 023908
 ENGINEER
 MARK A. AVERETTE

REVISIONS				SHEET NO.	
NO.	BY:	DATE:	NO.	BY:	DATE:
1			3		
2			4		

TOTAL SHEETS: 49

DOCUMENT NOT CONSIDERED FINAL
 UNLESS ALL SIGNATURES COMPLETED

12/21/2023 1:49:35 PM c:\pwworking\cecom_ds21_na_2020\d0252774_I2513AA_SMU_EB3_100902.dgn