

EXISTING NCDOT SPLICE ENCLOSURE AT PATTON AVENUE AND NEW LECEISTER HIGHWAY (SEE ITS 24 FOR LOCATION)

**COLOR CODE**  
TIA/EIA 598-C

(1) BLUE	(7) RED
(2) ORANGE	(8) BLACK
(3) GREEN	(9) YELLOW
(4) BROWN	(10) VIOLET
(5) SLATE	(11) ROSE
(6) WHITE	(12) AQUA

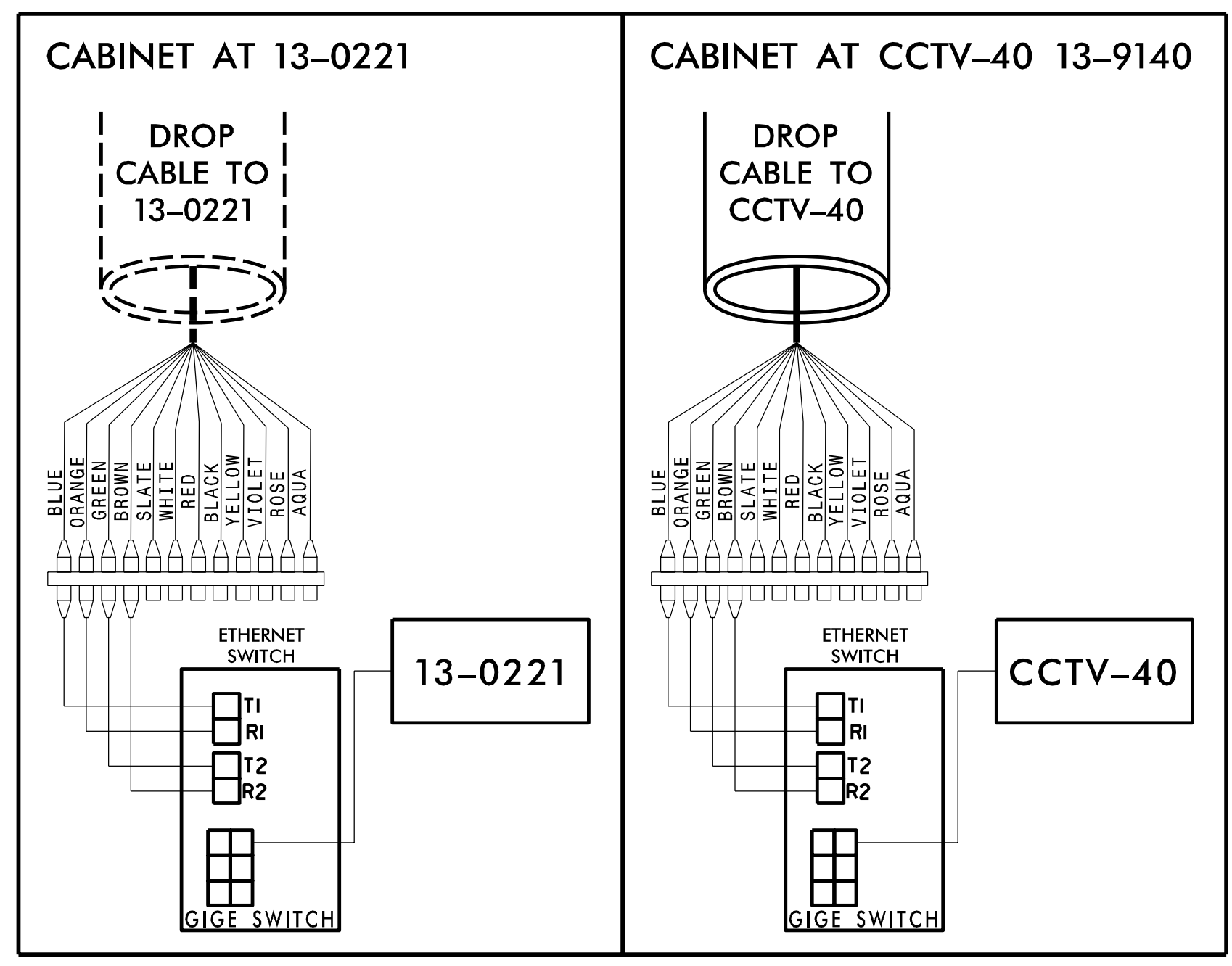
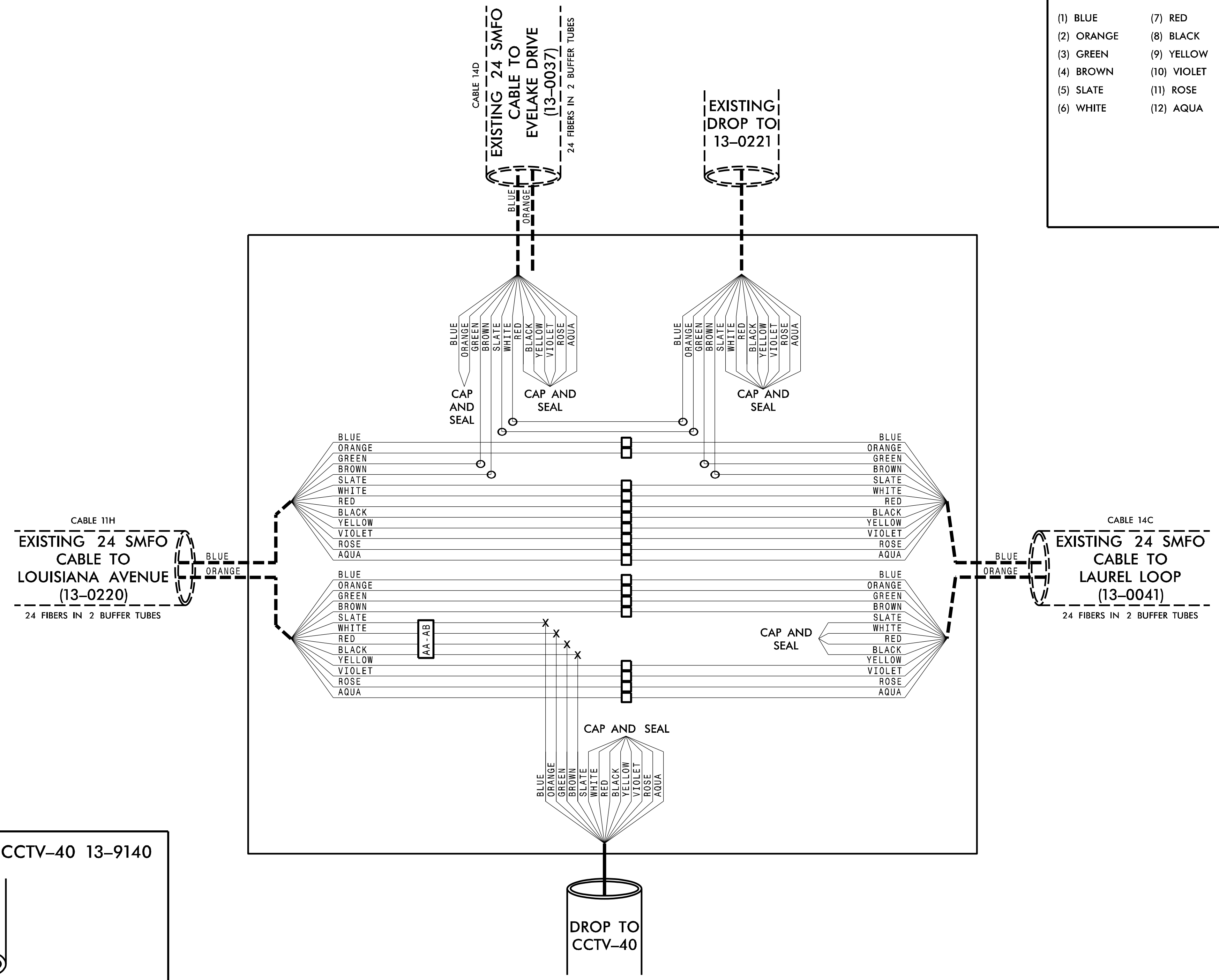
**LEGEND**

X - FUSION SPLICE INDIVIDUAL FIBER  
 O - EXISTING SPLICE  
 □ - EXPRESS INDIVIDUAL FIBER

EXPRESS - EXPRESS ENTIRE BUFFER TUBE  
 SPLICE - SPLICE ENTIRE BUFFER TUBE OR MAINTAIN IF EXISTING EXPRESSED

**NOTES:**

- FIBER INTERCONNECT CENTER RACKS ARE SCHEMATIC ONLY - ACTUAL EQUIPMENT FORM MAY VARY.
- ETHERNET SWITCH TERMINATION CONFIGURATIONS ARE GENERIC. CONTRACTOR IS RESPONSIBLE FOR DETERMINING /ENSURING PROPER TERMINATION.
- CONTRACTOR IS RESPONSIBLE FOR FIELD VERIFYING EXISTING SPLICING. THE CONTRACTOR SHALL COORDINATE WITH THE ENGINEER WHERE EXISTING SPLICING IS NOT AS EXPECTED.



NCDOT SPLICE

**EXULT ENGINEERING**  
 304-F W. Millbrook Rd  
 Raleigh, NC 27609  
 984.500.5426  
 www.exultengineering.com

Plans Prepared For:  
 Transportation Mobility and Safety Division  
 NORTH CAROLINA DEPARTMENT OF TRANSPORTATION  
 250 N. Greenfield Place, Garner, NC 27529

**I-2513 Splice Details**

DIVISION 13 BUNCOMBE COUNTY ASHEVILLE

PLAN DATE: JANUARY 2024 REVIEWED BY: T. HONEYCUTT  
 PREPARED BY: M. STANLEY REVIEWED BY: C. DAGERHARDT

REVISIONS	INIT.	DATE

SCALE: 0 NTS

SIGNATURE: \_\_\_\_\_ DATE: \_\_\_\_\_

SEAL: NORTH CAROLINA PROFESSIONAL SEAL 043814 ENGINEER TAYLOR A. HONEYCUTT