

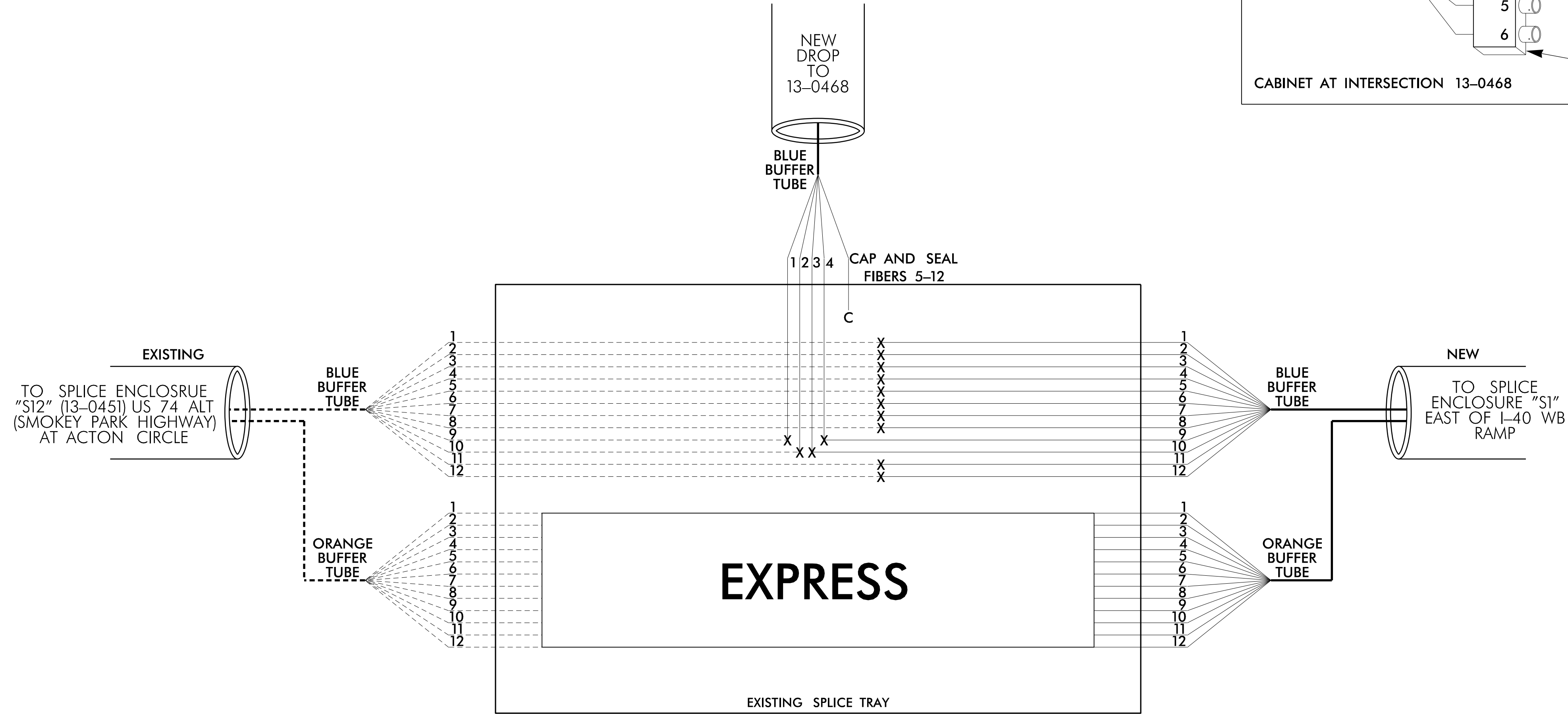
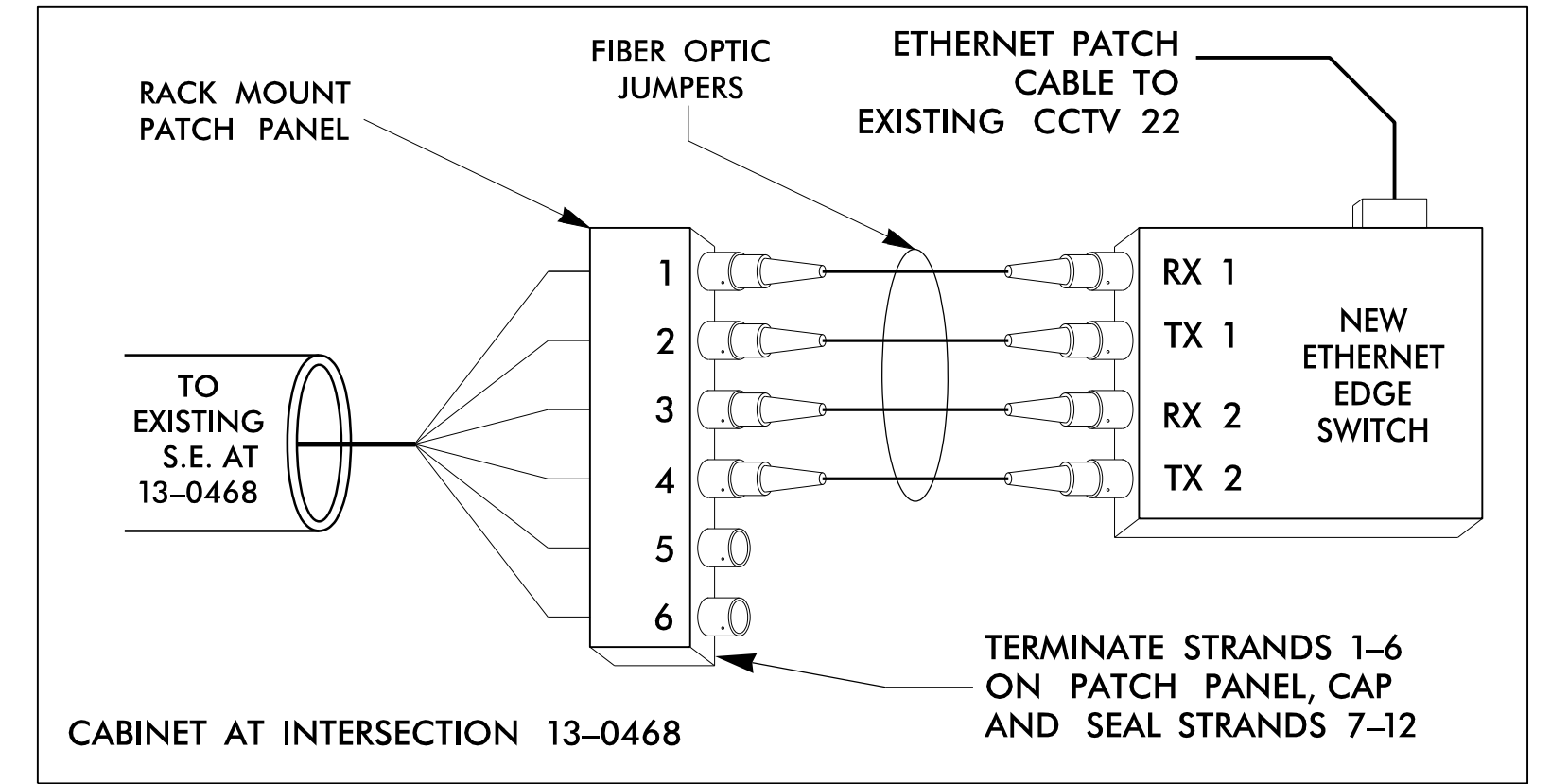
EXISTING UNDERGROUND SPLICE ENCLOSURE "S12-1" US 74 ALT (SMOKEY PARK HIGHWAY) AT I-40 WB RAMP SIG. INV. #13-0468

Notes:
Unused fibers left coiled and stored in splice tray.
Unused Buffer Tubes left coiled and stored in splice tray.

LEGEND
X = FUSION SPLICE
E = EXISTING SPLICE
C = CAP IN TRAY

EXPRESS = EXPRESS ALL FIBERS/ BUFFER TUBES
SPLICE = SPLICE ALL FIBERS/ BUFFER TUBES

COLOR CODE TIA/EIA 598-A
(1) BLUE (7) RED
(2) ORANGE (8) BLACK
(3) GREEN (9) YELLOW
(4) BROWN (10) VIOLET
(5) SLATE (11) ROSE
(6) WHITE (12) AQUA



- FIVE (5) DAYS PRIOR TO BEGINNING WORK ON THE SIGNAL SYSTEM, CONTACT THE ASHEVILLE TRAFFIC ENGINEER, KEVIN SEXTON, AT (828) 298-0094 TO ARRANGE FOR THE CITY OF ASHEVILLE TO PROGRAM THE NEW FIELD ETHERNET SWITCHES WITH THE NECESSARY NETWORK CONFIGURATION DATA, INCLUDING BUT NOT LIMITED TO: THE PROJECT IP ADDRESS, DEFAULT GATEWAY, SUBNET MASK AND VLAN ID INFORMATION. NOTIFY THE TRAFFIC ENGINEER AFTER ALL WORK IS PERFORMED TO ENSURE THAT ALL FIBER CIRCUITS ARE FUNCTIONING PROPERLY. WORK IS NOT COMPLETE UNTIL THE SIGNAL SYSTEM IS BACK UP AND OPERATIONAL.
- CONTRACTOR TO RECORD EXISTING SPLICE ARRANGEMENT FOR COMPARISON TO THE SUPPLIED SPLICE DETAILS. IF DISCREPANCIES EXIST, CONTACT THE ENGINEER TO DETERMINE HOW TO PROCEED WITH RESPLICING. PROVIDE AS-BUILT PLANS TO THE ENGINEER IF FINAL SPLICE ARRANGEMENT DIFFERS FROM THE SUPPLIED SPLICE DETAILS.
- ETHERNET SWITCH TERMINATION CONFIGURATIONS ARE GENERIC. CONTRACTOR IS RESPONSIBLE FOR DETERMINING \ ENSURING PROPER TERMINATIONS.
- INCLUDE ON THE COVER OF EACH SPLICE TRAY THE FOLLOWING:
REFERENCE SECTION 1731 "FIBER OPTIC SPLICE ENCLOSURE"

- SPLICE LOCATION
- DATE
- COMPANY NAME
- NAME OF INDIVIDUAL PERFORMING THE SPLICING

PRIOR TO INSTALLING THE COVER ON THE SPLICE TRAY TAKE A DIGITAL PHOTOGRAPH SHOWING THE SPLICE TRAY AND INFORMATION SHOWN ABOVE (1-4) AND SUBMIT PHOTOGRAPH ALONG WITH OTDR TEST RESULTS.

DOCUMENT NOT CONSIDERED FINAL UNLESS ALL SIGNATURES COMPLETED

Prepared for the Offices of:

AECOM
NC Firm License No.: F-0342
5438 Wade Park Boulevard
Suite 200 Raleigh, NC 27607
Phone: 919-461-1100

Asheville Signal System Splice Details

Division 13 Buncombe County Asheville

PLAN DATE: December 2023 REVIEWED BY: M. Cavenaugh
PREPARED BY: M. Tindal REVIEWED BY: R. Garrett

SCALE: 0 NA
N.T.S.

DocuSigned by:
Rehelle Garrett 12/5/2023
SIGNATURE DATE
CADD Filename: