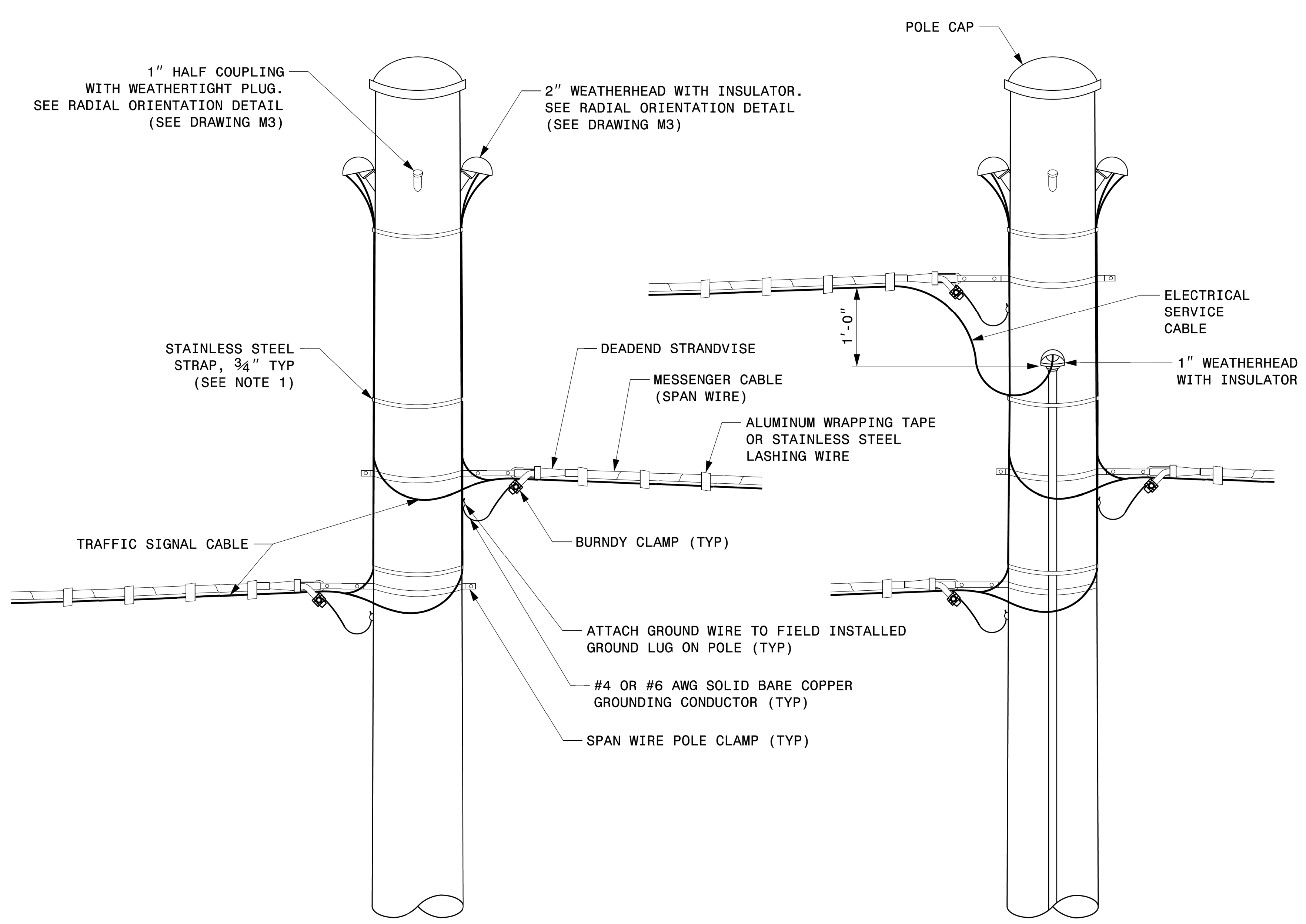


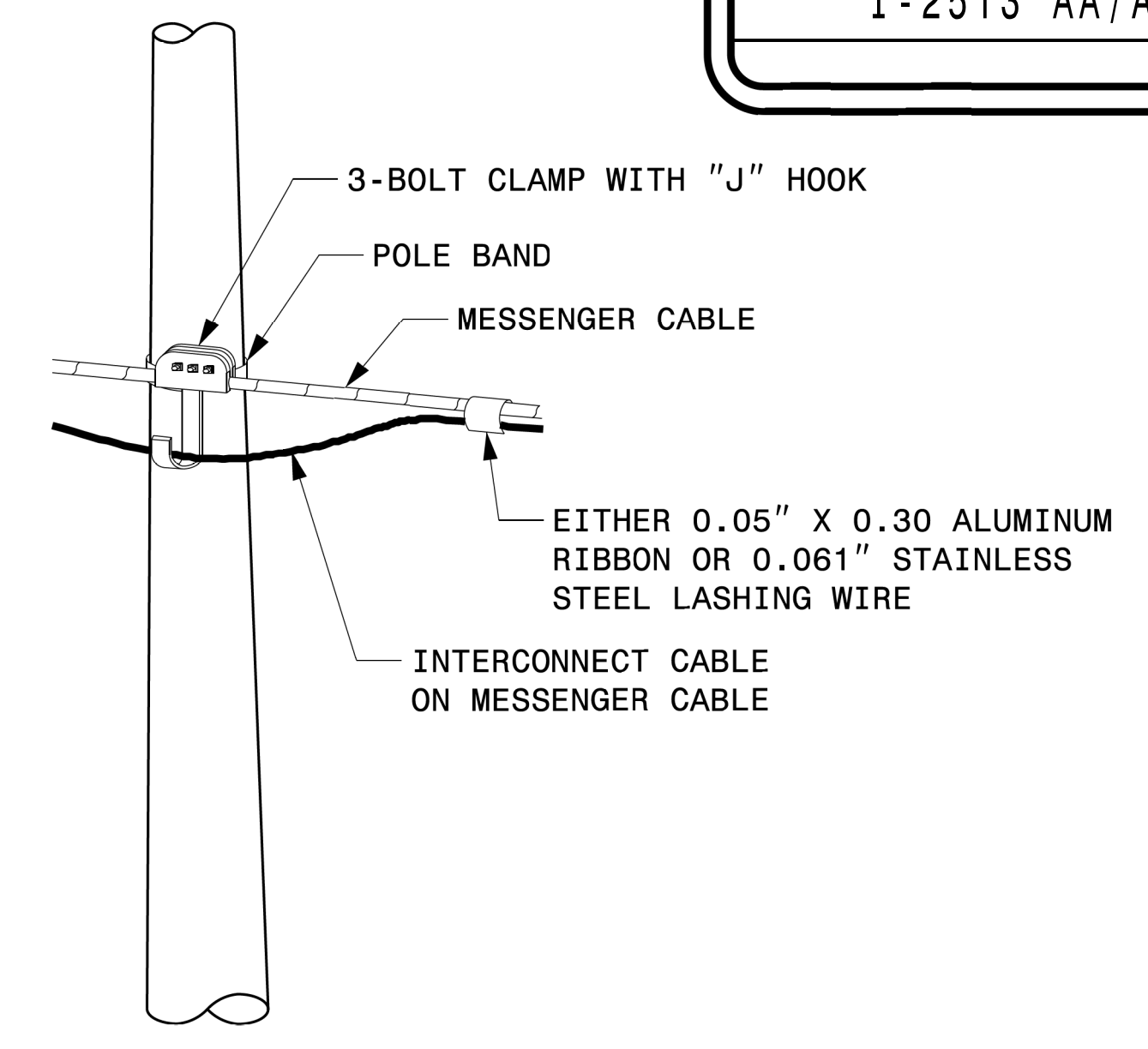
PROJECT I.D. NO.	SHEET NO.
I-2513 AA/AB	Sig.M6



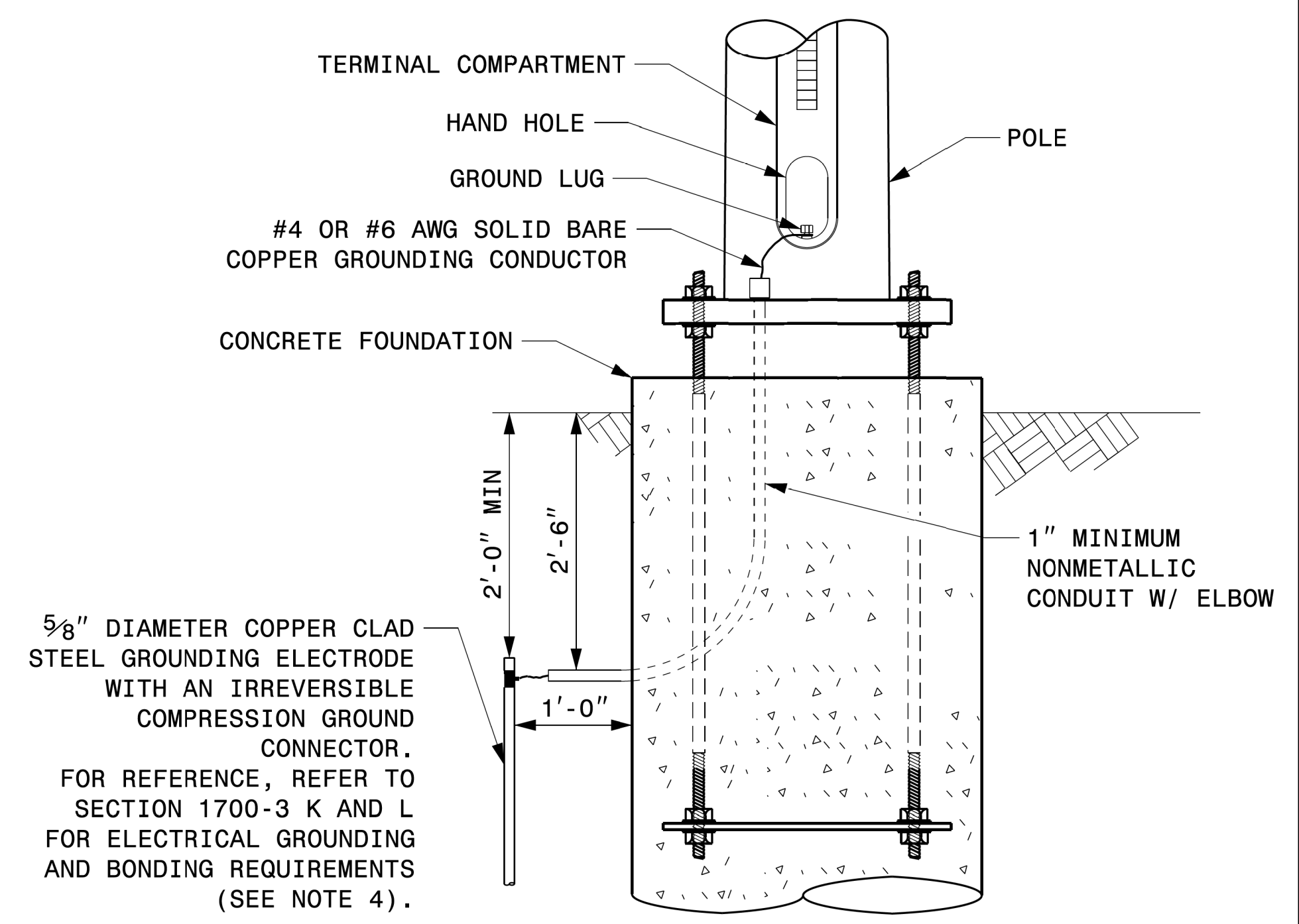
STRAIN POLE ATTACHMENTS

NOTES:

1. STRAP ALL SIGNAL CABLES TO THE SIDE OF THE POLE WITH 3/4" STAINLESS STEEL STRAPS WHEN THE DISTANCE BETWEEN SPAN WIRE ATTACHMENT CLAMP AND WEATHERHEADS EXCEEDS 3'-0".
2. PROVIDE MINIMUM TWO SPAN WIRE POLE CLAMPS PER POLE.
3. IT IS PROHIBITED TO ATTACH TWO SPAN WIRES AT ONE POLE CLAMP.
4. FOR GENERAL REQUIREMENTS, REFER TO NCDOT STANDARD SPECIFICATIONS FOR ROADWAY AND STRUCTURES, JANUARY 2024.



ATTACHMENT OF CABLE TO INTERMEDIATE METAL POLE



METAL POLE GROUNDING DETAIL FOR STRAIN POLE AND MAST ARM

09-2023-03-12-41 S:\ITS\AS\MTS\S\gn\sig\Drawings\2024 Metal Pole Std Drawings for LRF02024 Sig.M6 Std. Fabrication Detail for Strain Poles.dgn kcdur:ggm

Fabrication Details – Strain Pole Attachments

<p>750 N. Grandfield Hwy, Garner, NC 27529</p>	<p>Typical Fabrication Details For Strain Pole Attachments</p>		<p>SEAL</p>			
	<p>PLAN DATE: SEPTEMBER 2023 DESIGNED BY: C.F. ANDREWS</p> <p>PREPARED BY: K.C. DURIGON REVIEWED BY: D.C. SARKAR</p>	<p>REVISIONS</p> <table border="1"> <tr> <th>INIT.</th> <th>DATE</th> </tr> <tr> <td> </td> <td> </td> </tr> </table>		INIT.	DATE	
INIT.	DATE					
<p>SCALE: 0 NA NONE</p>	<p>DATE: 09/21/2023</p>		<p>DATE</p>			