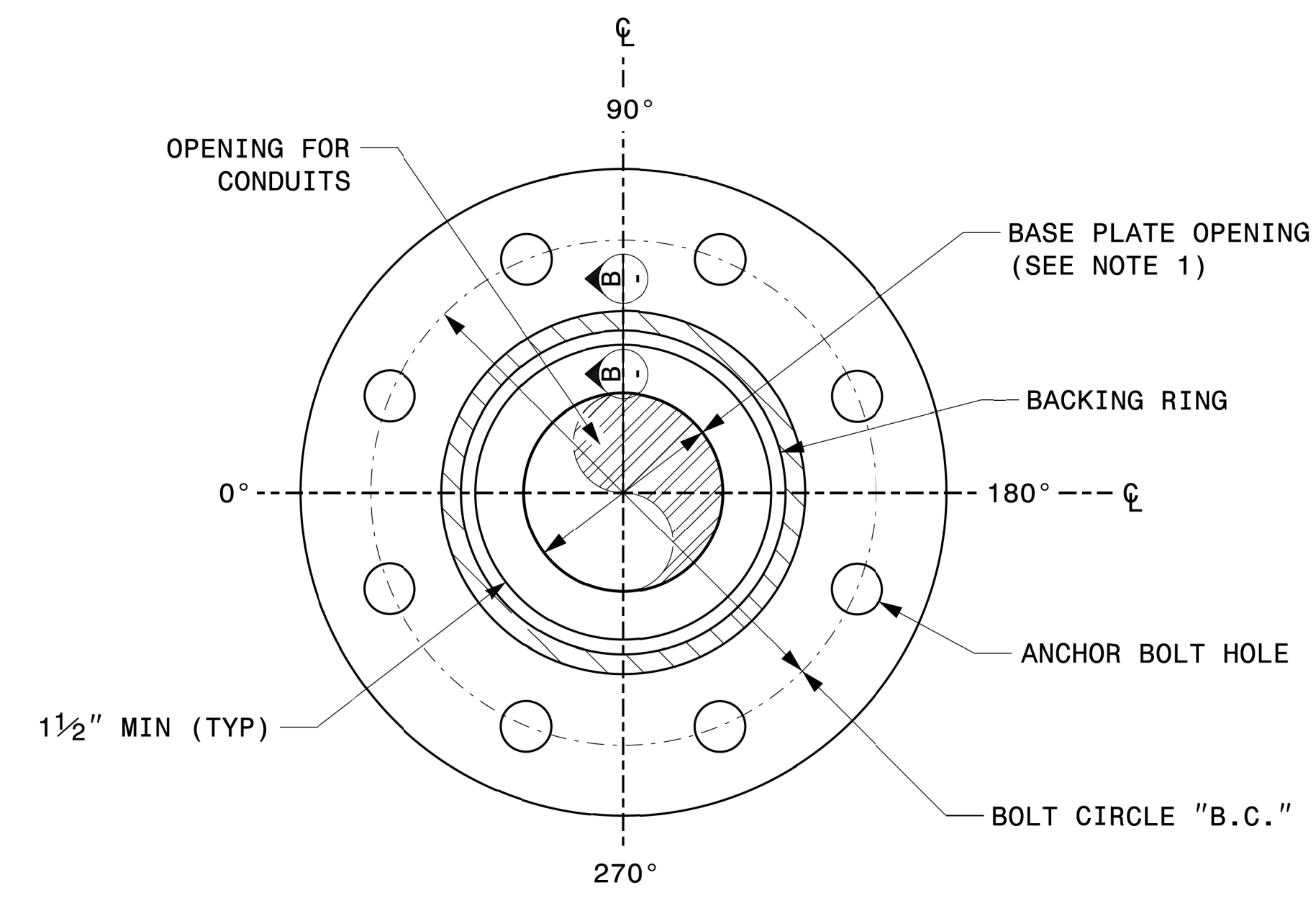
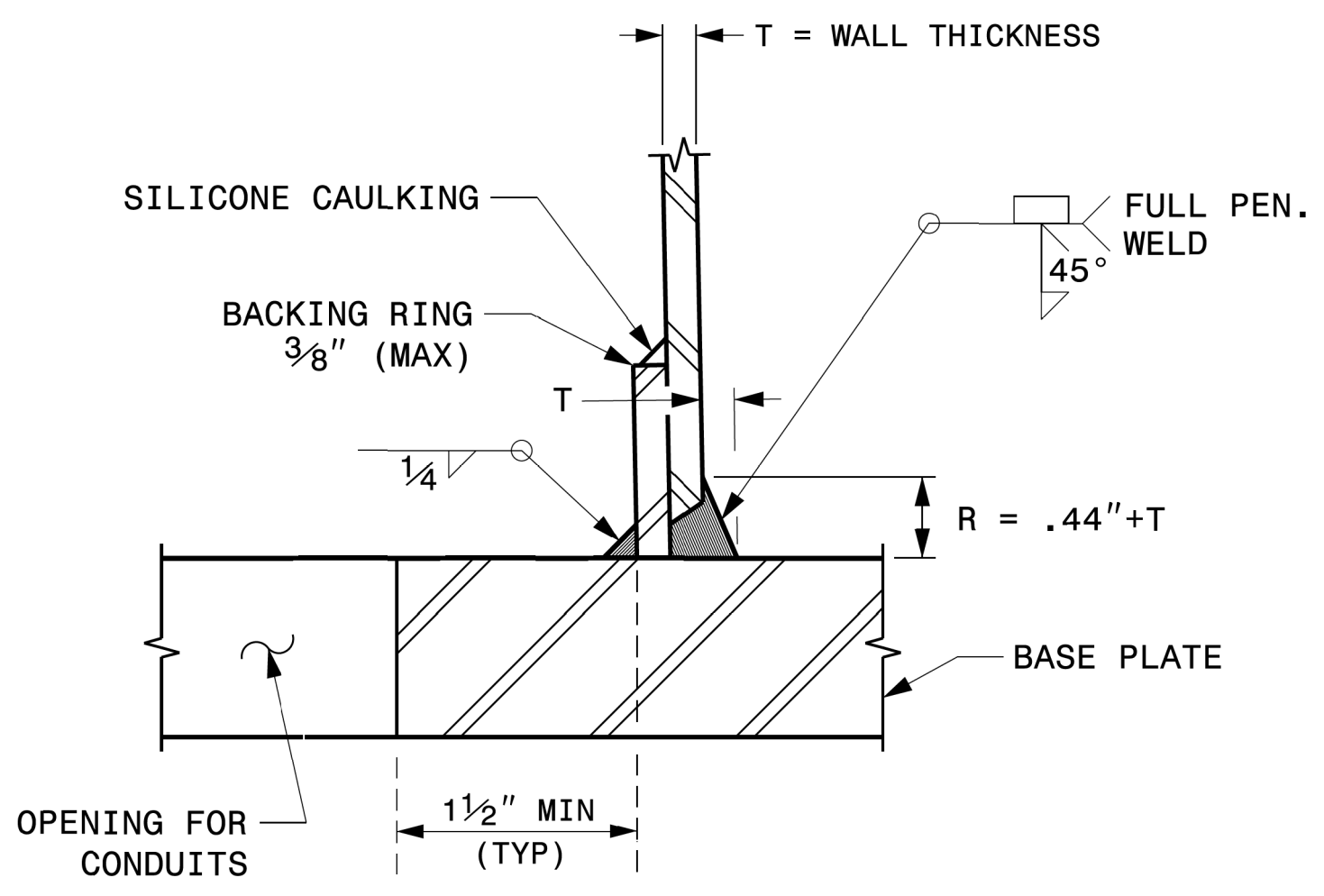


NOTE:

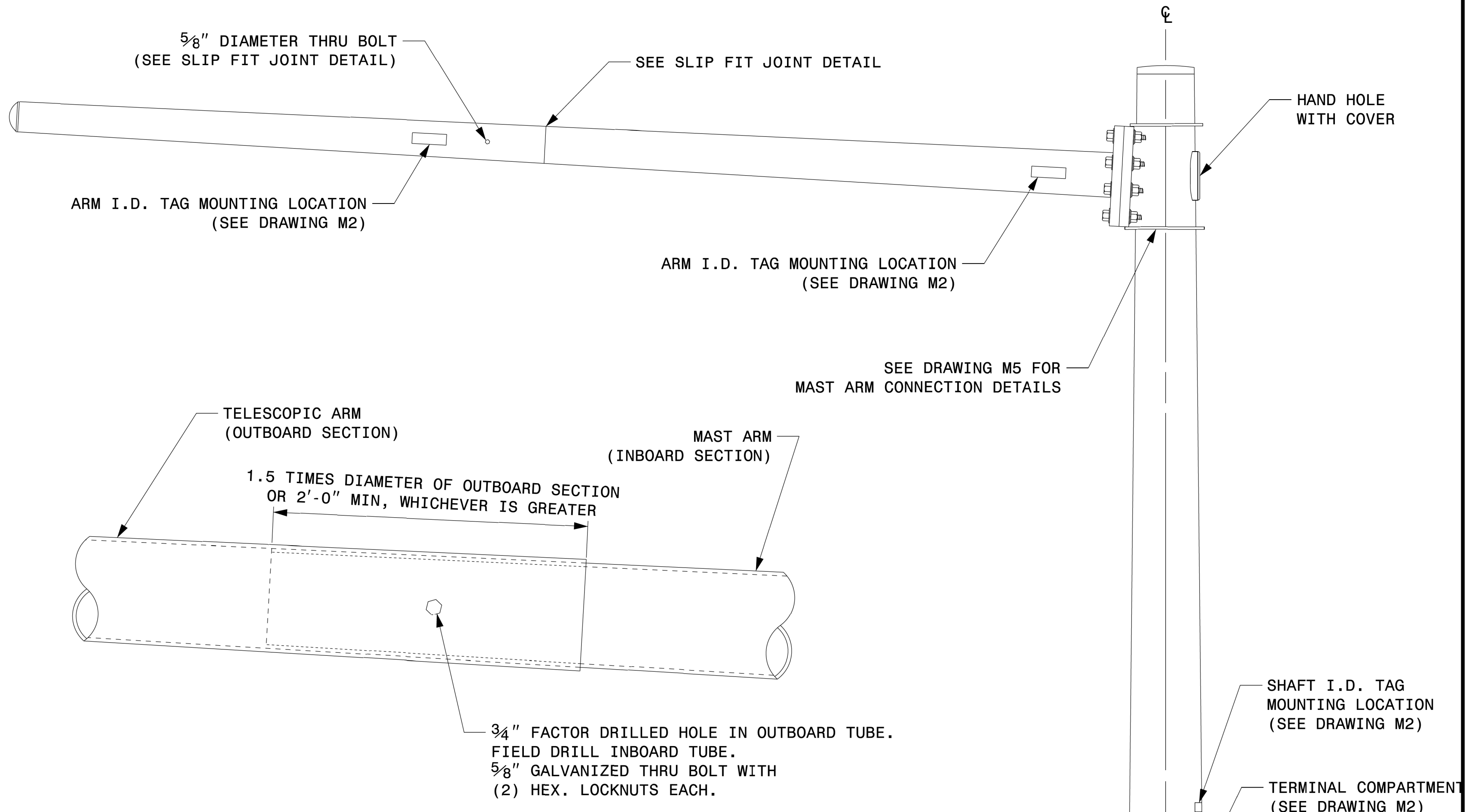
1. OPENING IN POLE BASE PLATE SHALL BE EQUAL TO POLE BASE INSIDE DIAMETER MINUS 3 1/2" BUT SHALL NOT BE LESS THAN 8 1/2".



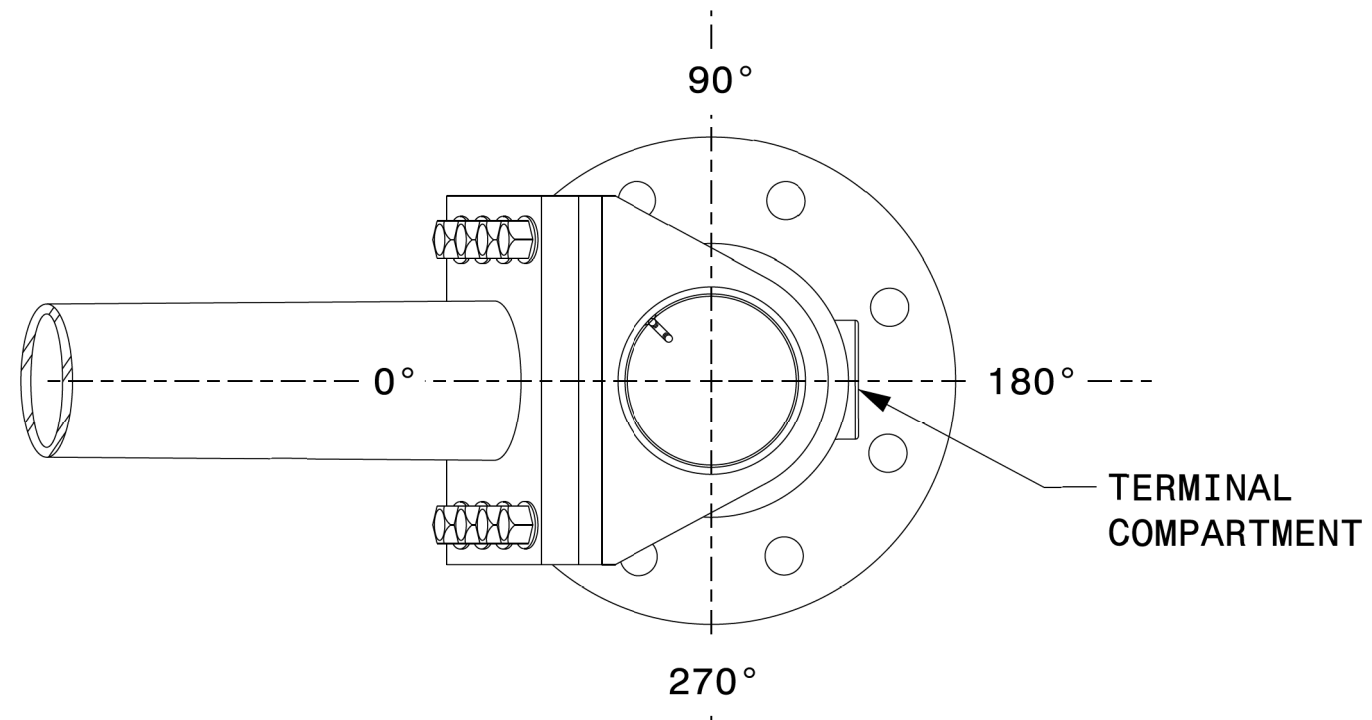
**SECTION A-A
POLE BASE PLATE DETAILS**



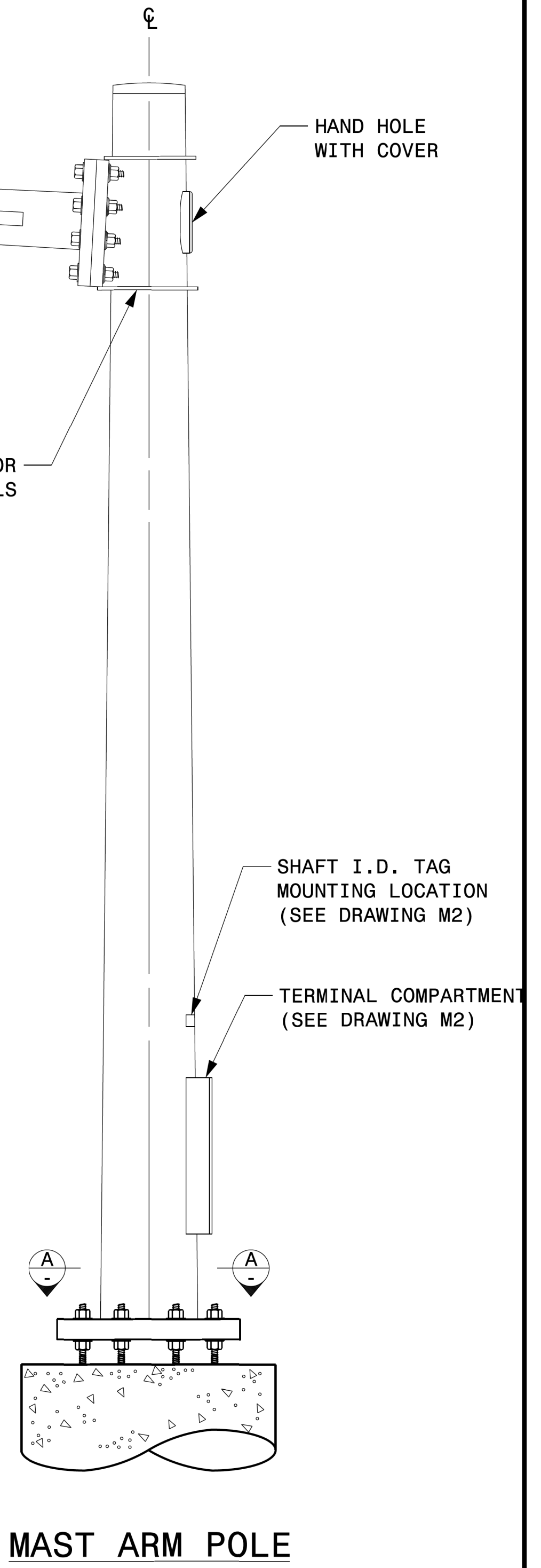
**SECTION B-B
(POLE ATTACHMENT TO BASE PLATE)
FULL-PENETRATION
GROOVE WELD DETAIL**



SLIP FIT JOINT DETAIL FOR MAST ARM



MAST ARM RADIAL ORIENTATION



MAST ARM POLE

Fabrication Details – Mast Arm Poles

	<p>Prepared in the Offices of:</p>		<p>Typical Fabrication Details For Mast Arm Poles</p>		<p>SEAL</p>			
	<p>PLAN DATE: SEPTEMBER 2023 DESIGNED BY: K.C. DURIGON</p> <p>PREPARED BY: K.C. DURIGON REVIEWED BY: D.C. SARKAR</p>	<p>REVISIONS</p> <table border="1"> <tr> <th>INIT.</th> <th>DATE</th> </tr> <tr> <td> </td> <td> </td> </tr> </table>	INIT.	DATE				<p>SCALE</p> <p>0 NA</p> <p>NONE</p>
INIT.	DATE							

08-01-2023 12:35 S:\TSS\SM\TSS\Sig\01\sig\1 Design Section\Structures\Drawings\2024 Metal Pole Std Drawings for LRF02024 Sig.M4 Std. Fabrication Detail for Mast Arm Poles.dgn kcdurigon