

OVERLAP PROGRAMMING DETAIL

Front Panel
Main Menu >Controller >Overlap >Overlap Parameters/Overlap Timings

Web Interface
Home >Controller >Overlap Configuration >Overlaps

Overlap Plan 1

Overlap	1	2	3	4
Type	FYA 4 - Section	Off	FYA 4 - Section	Normal
Included Phases	6	-	6	4,5
Modifier Phases	-	-	5	-
Modifier Overlaps	-	-	-	-
Trail Green	0	0	0	0
Trail Yellow	0.0	0.0	0.0	0.0
Trail Red	0.0	0.0	0.0	0.0

FLASHER CIRCUIT MODIFICATION DETAIL

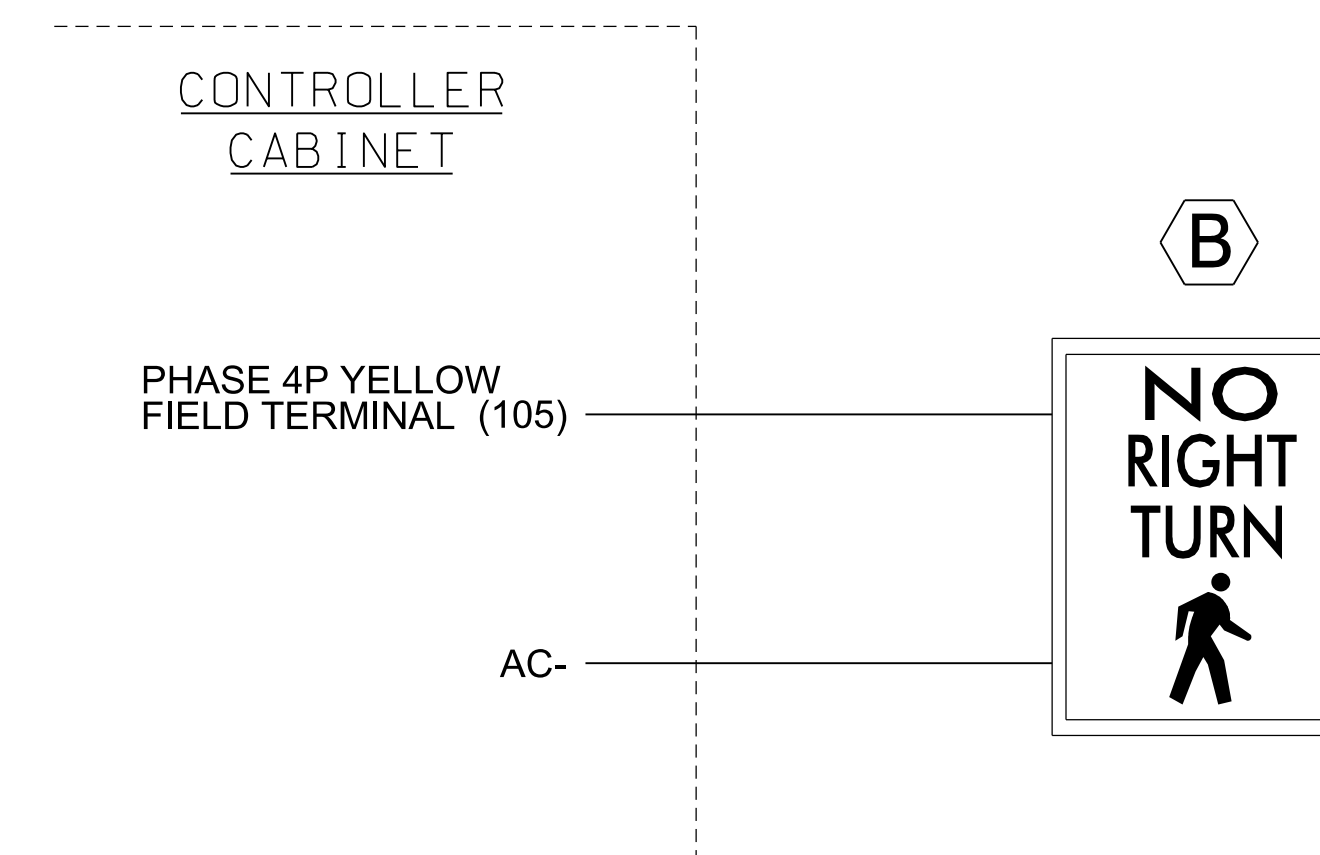
IN ORDER TO ENSURE THAT SIGNALS FLASH CONCURRENTLY ON THE SAME APPROACH, MAKE THE FOLLOWING FLASHER CIRCUIT CHANGES:

- ON REAR OF PDA - REMOVE WIRE FROM TERM. T2-4 AND TERMINATE ON T2-2.
- ON REAR OF PDA - REMOVE WIRE FROM TERM. T2-5 AND TERMINATE ON T2-3.
- REMOVE FLASHER UNIT 2.

THE CHANGES LISTED ABOVE TIES ALL PHASES AND OVERLAPS TO FLASHER UNIT 1.

BLANKOUT SIGN (B) WIRING DETAIL

(wire sign as shown)



NOTE: IF FIELD TERMINAL 105 HAS A CONFLICT MONITOR WIRE CONNECTED, REMOVE, TAPE, AND LABEL WIRE.

OUTPUT POINTS PROGRAMMING DETAIL

Front Panel
Main Menu >Controller >More >Advanced IO >Output Points

Web Interface
Home >Controller >Advanced IO >Cabinet Configuration >Output Points

IO Module 1

Output Point	Description	Output Control Type	Index
35	C1-37	Global Variable	35

LOGIC PROCESSOR PROGRAMMING

Front Panel
Main Menu >Controller >More >User Programs >Definition

Web Interface
Home >Controller >User Programs Configuration >User Programs Definition

Program 1

Statement	Result	Index	Operation	Parameter A	Index	Parameter B	Index	Delay	Ext
1	Global Variable	35	Result=(AorB)	Phase Walk	4	Phase Ped Clearance	4	0.0	0.0

LOGIC STATEMENT DESCRIPTION

Statement 1 Description: Illuminate Blankout Sign (B) at beginning of Phase 4 WALK to the end of Phase 4 DON'T WALK.

SEQUENCE DETAIL

Front Panel
Main Menu >Controller >Sequence & Phs Config>Sequences

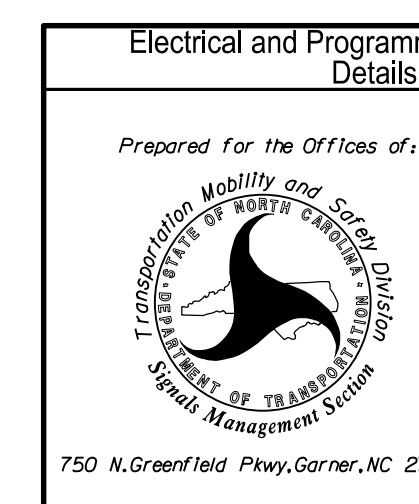
Web Interface
Home >Controller >Sequence

Sequence 1

Ring	Sequence Data
1	2,a,4,b
2	5,6,a,8,b

THIS ELECTRICAL DETAIL IS FOR THE SIGNAL DESIGN: 13-0468
DESIGNED: December 2023
SEALED: 12/5/2023
REVISED:

Final Design
Electrical Detail - Sheet 2 of 2



Prepared for the Offices of:		US 19-23 (Smokey Park Highway) at I-40 WB Ramps	
Division 13		Buncombe County Asheville	
PLAN DATE: December 2023	REVIEWED BY: J O Deaton	REVISIONS	
PREPARED BY: M W Yalch	REVIEWED BY:	INIT.	DATE
SIGNATURE			

DOCUMENT NOT CONSIDERED FINAL UNLESS ALL SIGNATURES COMPLETED

