

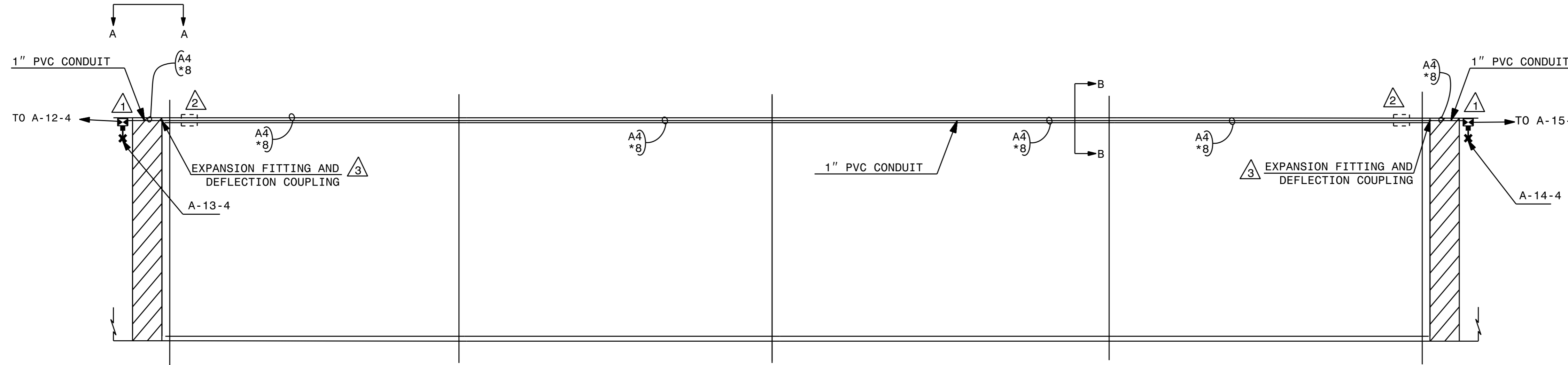
USE FOR LIGHTING CONSTRUCTION ONLY



NTS

12/21/2023

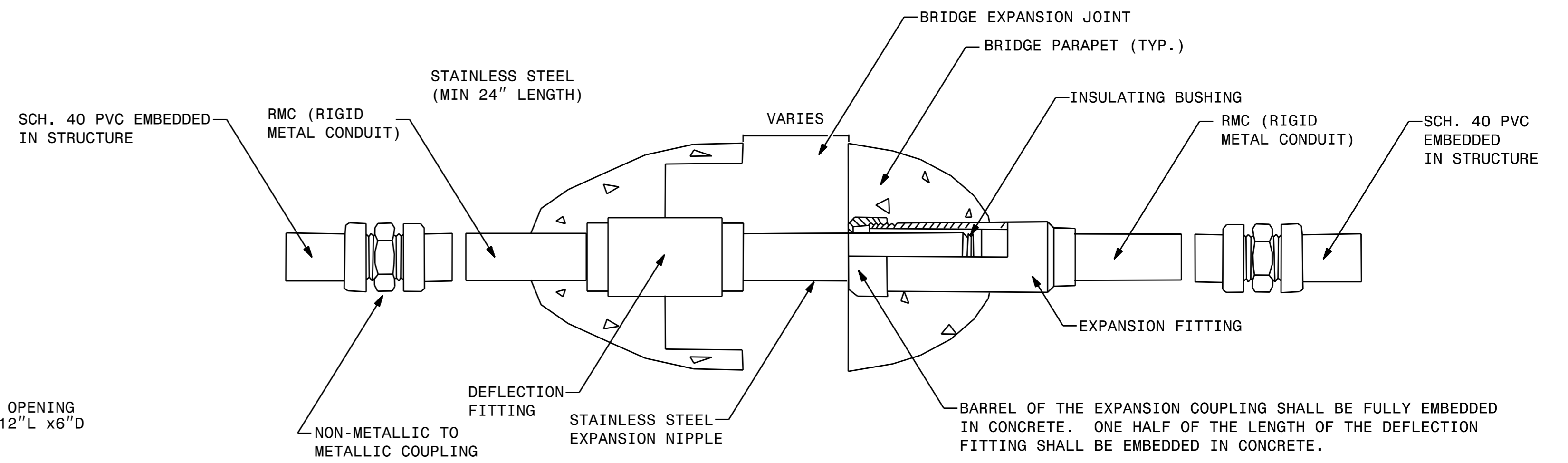
DESIGNED BY: Nathan P. Dominguez  
**DOCUMENT NOT CONSIDERED FINAL  
 UNLESS ALL SIGNATURES COMPLETED**



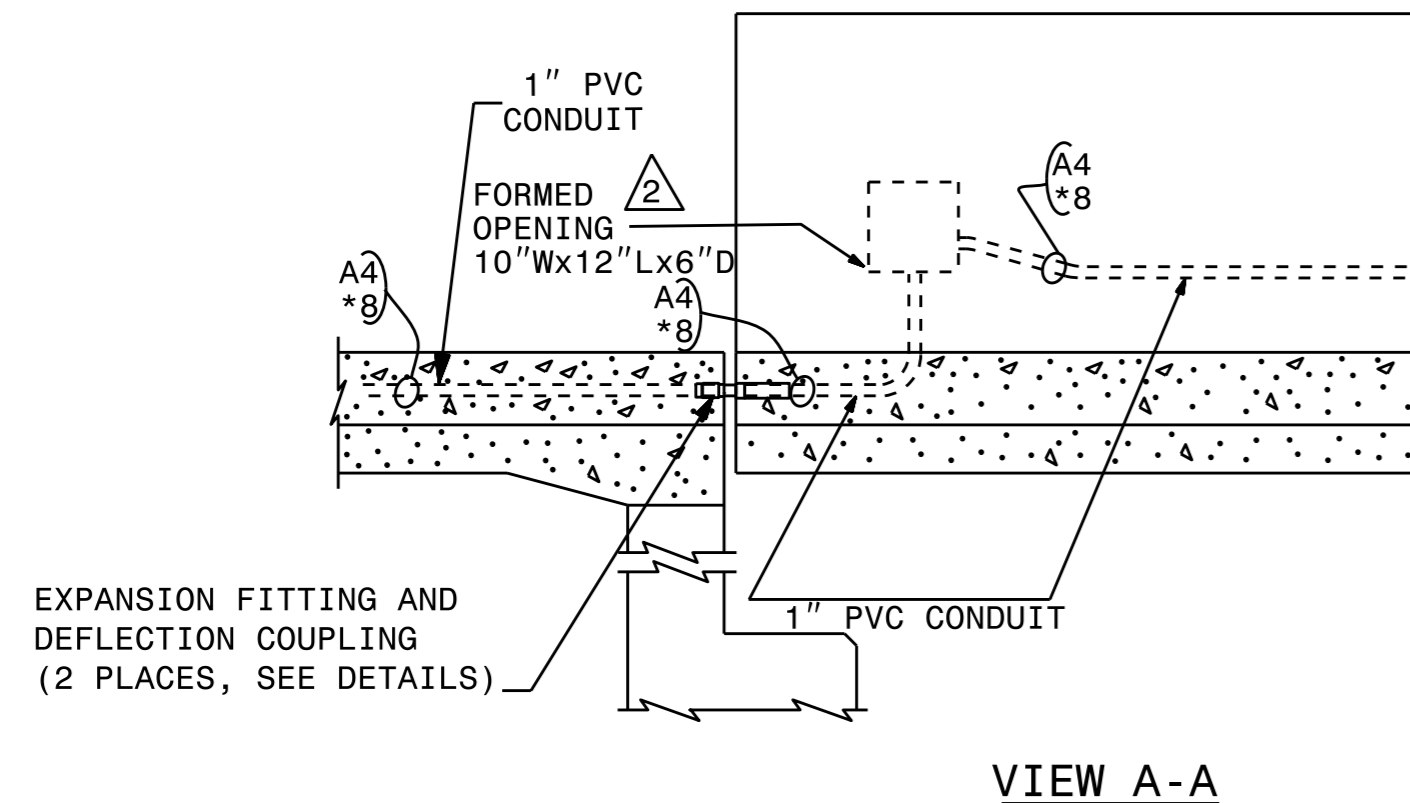
CONDUIT SYSTEM LAYOUT

NOTES

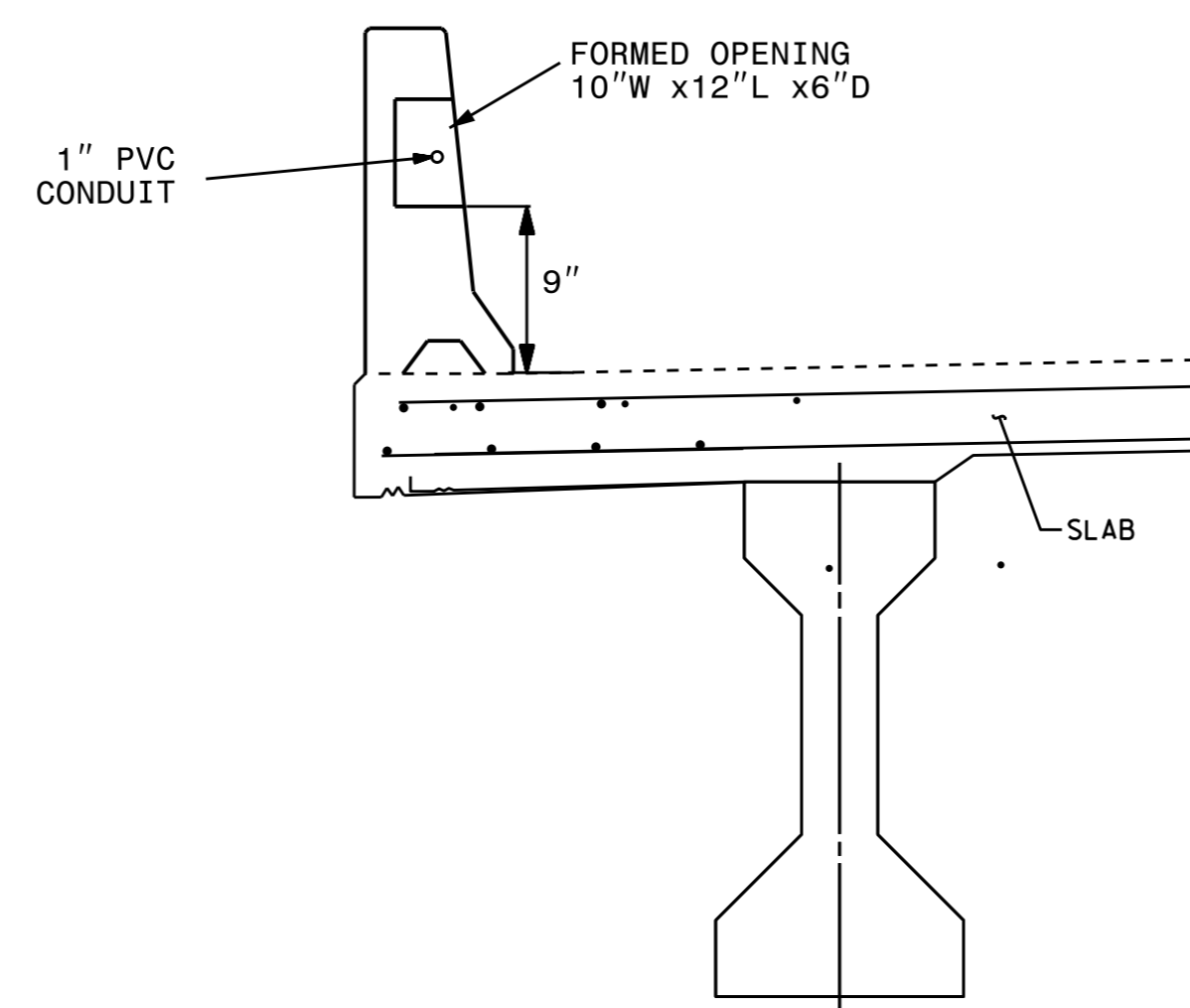
- 1 TYPE LS18 JUNCTION BOXES ARE 18" L X 12" W X 18" H.
- 2 FORMED OPENINGS ARE 10" W X 12" L X 6" H. SEE DETAILS ON SHEET E-7.
- 3 PROVIDE EXPANSION FITTINGS AT ALL BRIDGE EXPANSION JOINTS AND WHERE APPROACH SLAB MEETS INTEGRAL END BENT.
- 4 BARREL OF THE EXPANSION COUPLING SHALL BE FULLY EMBEDDED IN CONCRETE. ONE HALF OF THE LENGTH OF THE DEFLECTION FITTING SHALL BE EMBEDDED IN CONCRETE.



EXPANSION/DEFLECTION COUPLINGS DETAIL



VIEW A-A



VIEW B-B

I9-SEP-2023 08:34  
 R:\Lighting\Lighting Design\I2513.LE.PSH.E6.dgn  
 msquad1 At PD-329439L

2			
1			
Rev.	Date	Description	Approved
NORTH CAROLINA DEPARTMENT OF TRANSPORTATION ROADWAY DESIGN LIGHTING/ELECTRICAL SECTION <b>BRIDGE CONDUIT SYSTEM</b> US 74/SMOKEY PARK HWY INTERCHANGE BUNCOMBE COUNTY			
Drawn By:	MSQ	Approved By:	RGH
Dwg No.:			