
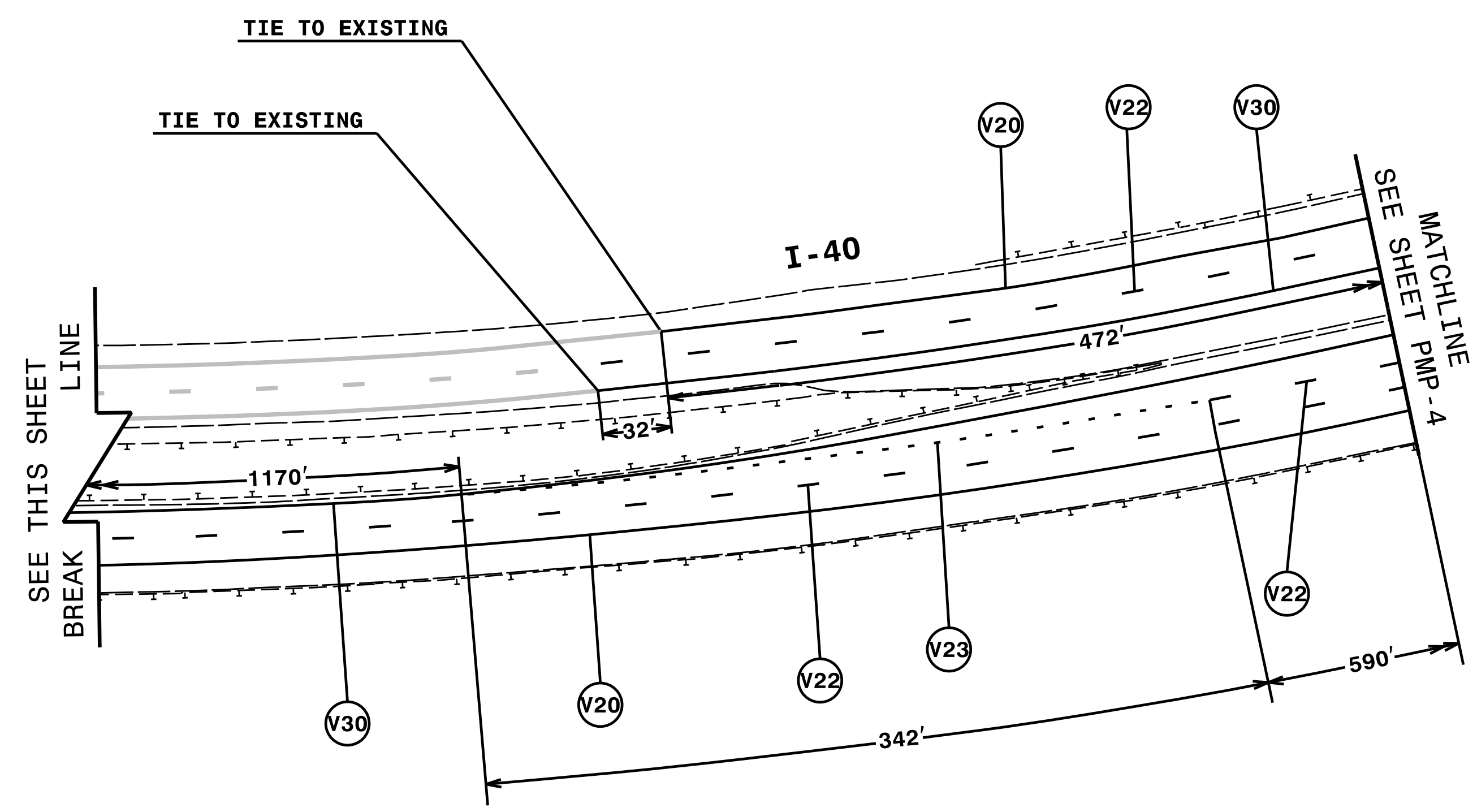
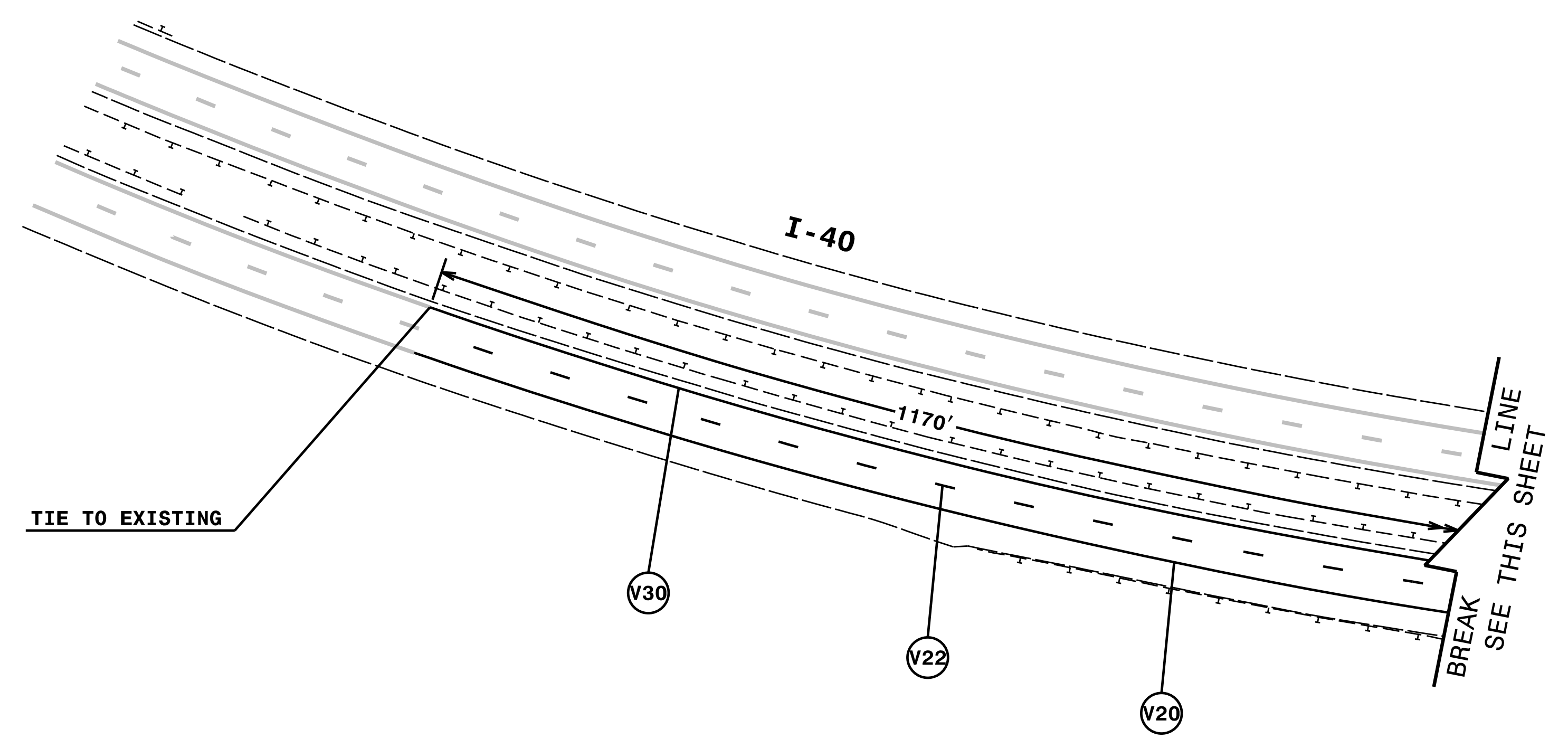
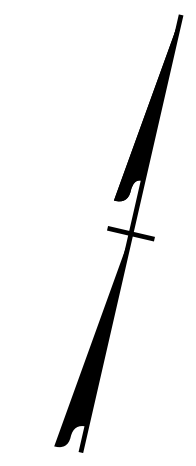


PROJECT REFERENCE NO.	SHEET NO.
I-2513AA/AB	PMP-3
APPROVED: <i>Andrew D. Klinkstein</i> E3078784596448	
DATE: 2/1/2024	
SEAL	
	
DOCUMENT NOT CONSIDERED FINAL UNLESS ALL SIGNATURES COMPLETED	



NOTE: ALL LANE WIDTHS ARE 12' UNLESS OTHERWISE SHOWN.

\$\$\$\$\$SYTIME\$\$\$\$\$  
\$\$\$\$\$DGN\$\$\$\$\$  
\$\$\$\$\$USERNAM\$\$\$\$\$

**HNTB** HNTB NORTH CAROLINA, P.C.  
343 E. SIX FORKS ROAD, SUITE 200  
RALEIGH, NORTH CAROLINA 27609  
NC LICENSE NO: C-1554  
(919) 546-8997

# PAVEMENT MARKING DETAIL