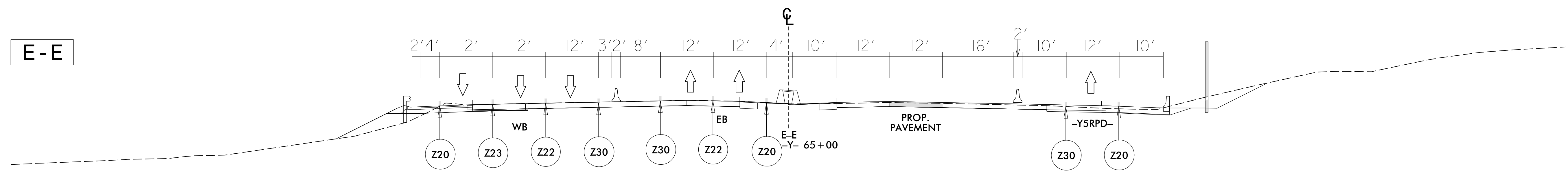
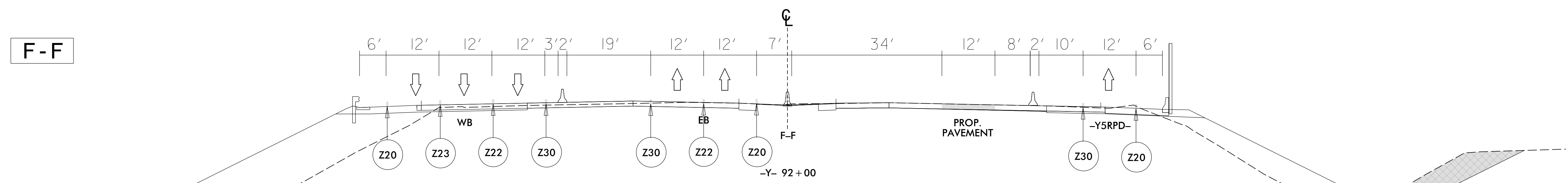


I-25 PHASE 5

E-E



F-F



04-JAN-2024 01:55 R:\Projects\I-25\08-01-2513A\_Work Zone Traffic Control\Traffic Control\CP\ProjectWise\Phase 5\I-2513AA\_PHASE\_5\_TMP-49.dgn

**LEGEND**

	NEW TEMPORARY MARKINGS
	EXISTING MARKINGS (GRAY)
	NEW CONSTRUCTION AREAS
	TEMPORARY PAVEMENT
	ON-GOING CONSTRUCTION
	REMOVAL
	OVERLAY/WEDGING

NOTE: THE CONTRACTOR SHALL RELOCATE INFORMATION SIGNS BEFORE CONSTRUCTION REMOVES THEM.

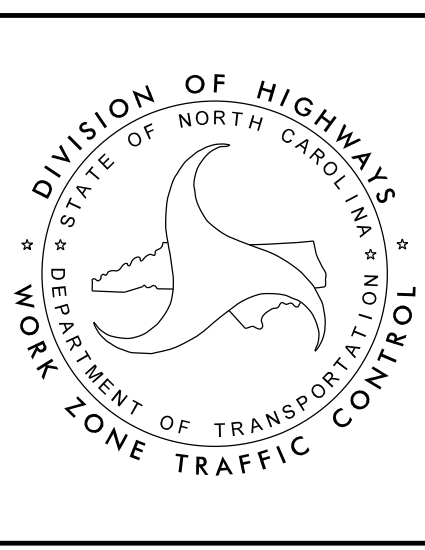
NOTE: ALL LANE WIDTHS ARE 11' UNLESS OTHERWISE SHOWN.

**ICE of Carolinas, PLLC**  
 4505 Falls of Neuse Road, Suite 110  
 Raleigh, North Carolina 27609  
 Phone: 803-822-0333  
 License #: P-0999

APPROVED:   
 DATE: 1/4/2024

SEAL

**DOCUMENT NOT CONSIDERED FINAL UNLESS ALL SIGNATURES COMPLETED**



**TEMPORARY TRAFFIC CONTROL PHASE V DETAIL AREA 1**