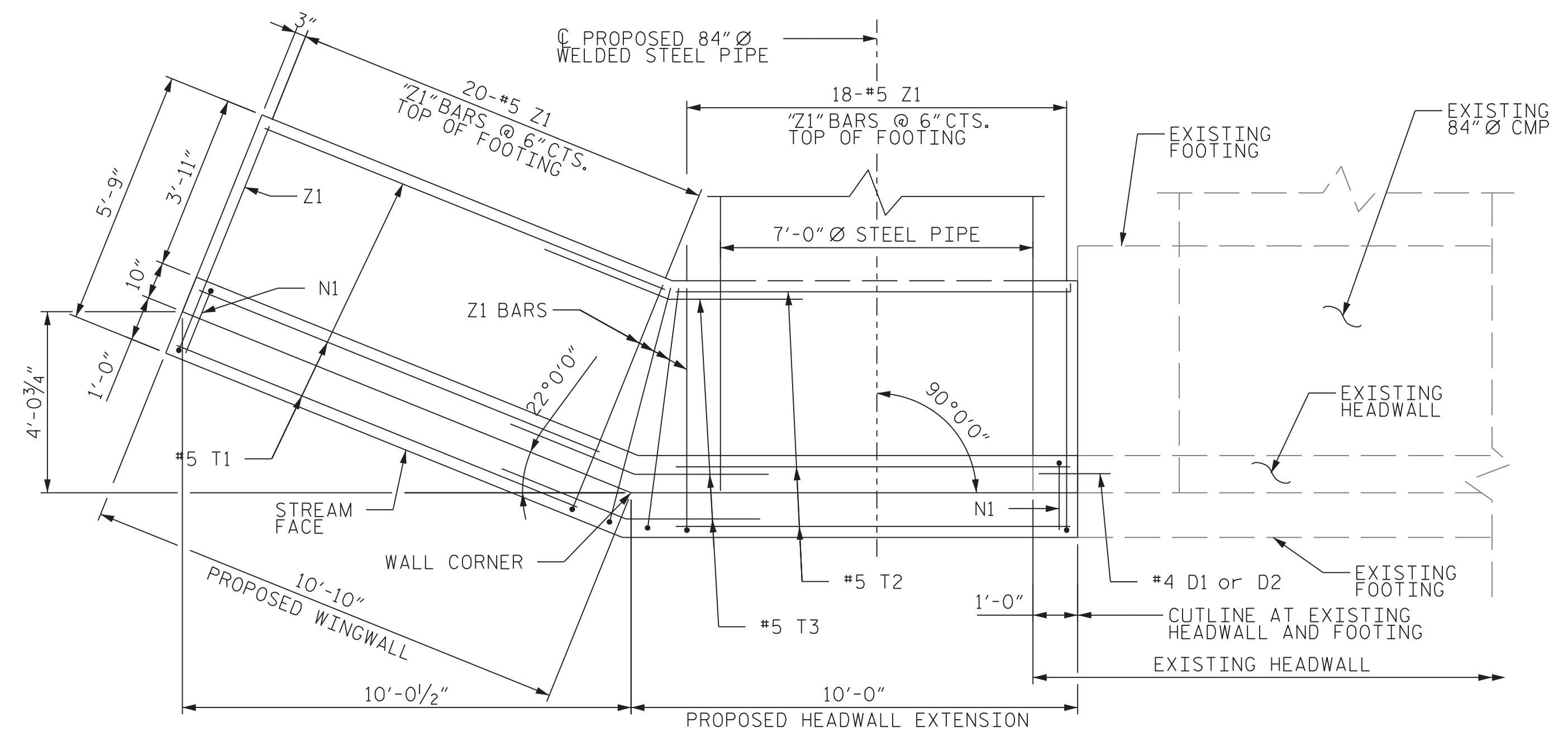


HEADWALL EXTENSION AND WINGWALL ELEVATION

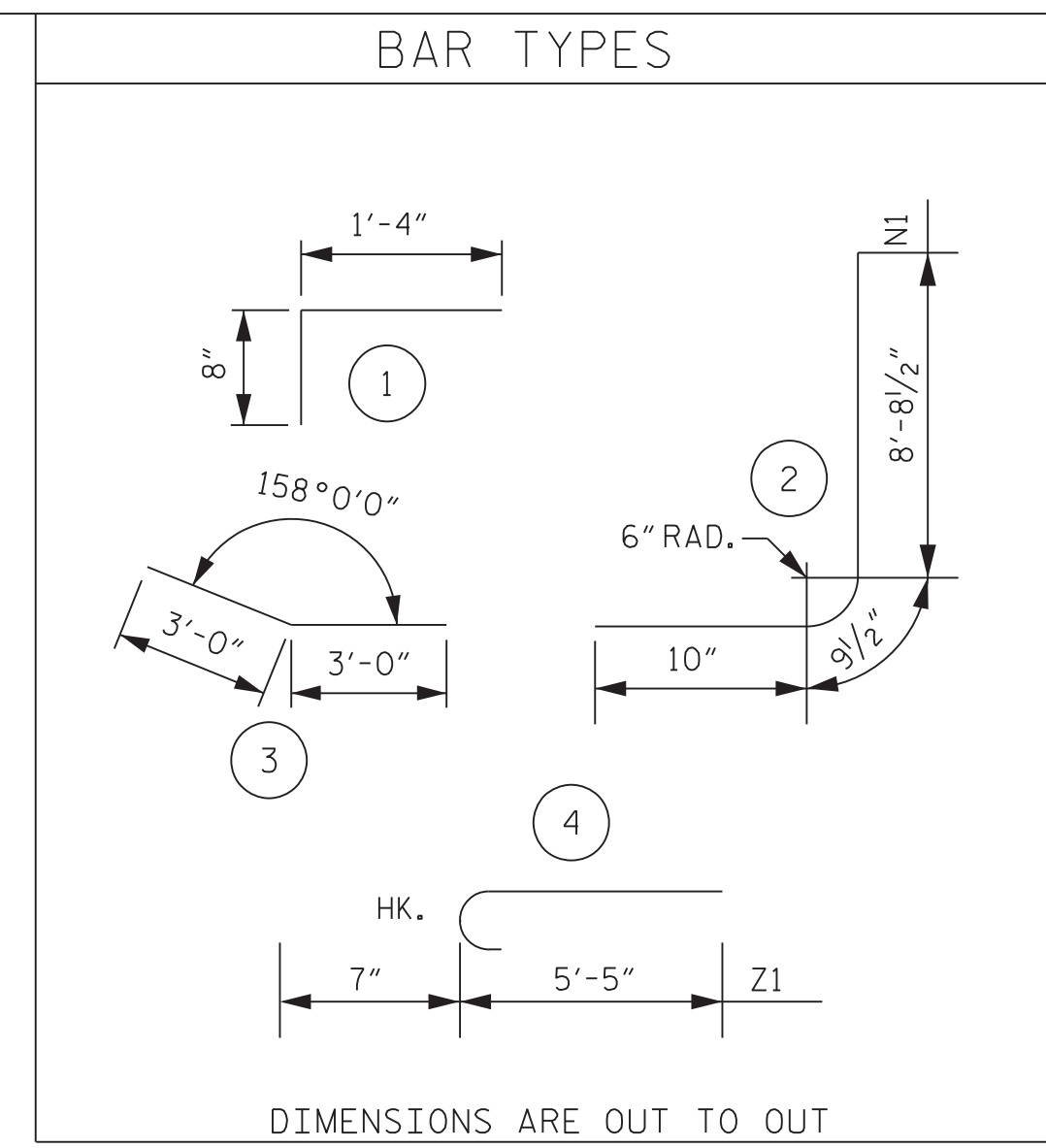
\* PROPOSED ELEVATIONS TO BE FIELD VERIFIED  
 ■ SEE REMOVAL NOTES  
 H3 BAR, FIELD BEND AS NECESSARY



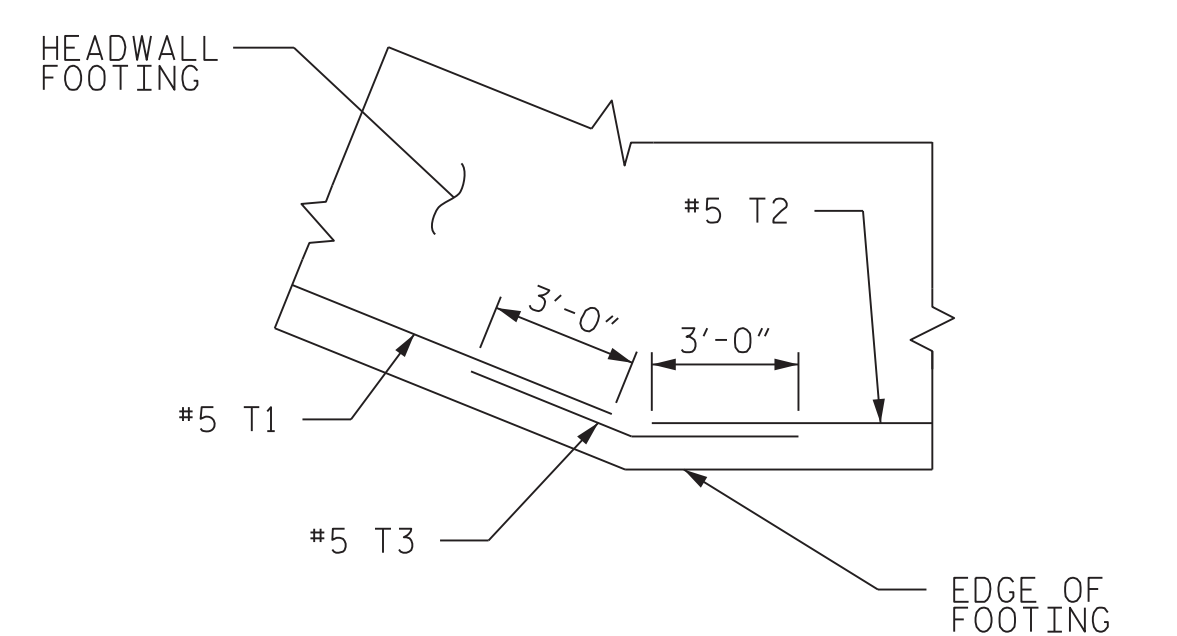
HEADWALL EXTENSION AND WINGWALL PLAN VIEW

NOTES:

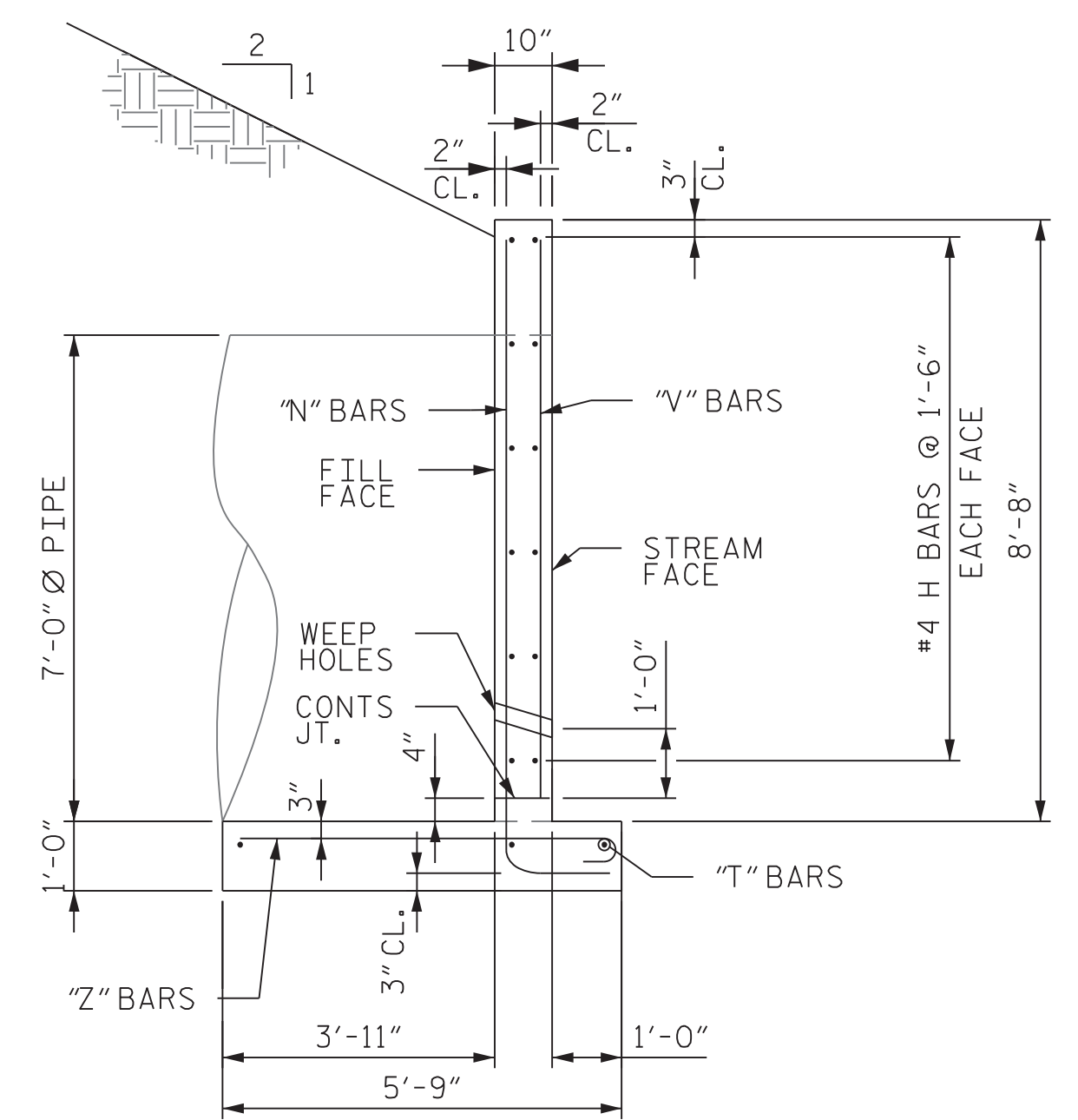
1. 3" Ø WEEP HOLES INDICATED TO BE IN ACCORDANCE WITH THE SPECIFICATIONS.



BILL OF MATERIAL					
DIMENSIONS ARE OUT TO OUT					
BAR	NO.	SIZE	TYPE	LENGTH	WEIGHT
B1	2	#4	STR	7'-0"	10
B2	4	#4	STR	5'-10"	16
B3	2	#4	STR	4'-9"	7
D1	8	#4	STR	2'-0"	11
D2	6	#4	1	2'-0"	9
H1	4	#4	STR	10'-6"	29
H2	4	#4	STR	9'-8"	26
H3	8	#4	STR	14'-6 1/2"	78
H4	8	#4	STR	12'-2"	66
N1	27	#5	2	10'-4"	291
T1	3	#5	STR	9'-8"	31
T2	3	#5	STR	8'-10"	28
T3	7	#5	3	6'-0"	44
V1	16	#4	STR	8'-2"	88
Z1	40	#5	4	6'-0"	251
REINFORCING STEEL FOR HEADWALL & WINGWALL					985 LBS.



TYPICAL T BAR LAP SPLICE DETAIL



TYPICAL HEADWALL AND WINGWALL SECTION

HEADWALL & WING QUANTITIES	
REINFORCING STEEL FOR HEADWALL & WINGWALL	985 LBS.
CLASS A CONCRETE	
1 WING	3.5 C.Y.
1 HEADWALL	5.1 C.Y.
TOTAL	8.6 C.Y.

PROJECT NO. I-2513 AA/AB  
 BUNCOMBE COUNTY  
 STATION: 13+94-BRSSPUR-

ENGINEER OF RECORD

DocuSigned by:  
 Juan D. Mosquera  
 2/8/2024

STATE OF NORTH CAROLINA  
 DEPARTMENT OF TRANSPORTATION  
 REINFORCED CONCRETE  
 HEADWALL EXTENSION  
 FOR 84" Ø  
 WELDED STEEL PIPE

REVISIONS					
NO.	BY:	DATE:	NO.	BY:	DATE:
1			3		
2			4		

SHEET NO. 2D-10  
 TOTAL SHEETS 2

P:\2024\I-2513AA\Structures\DWG\Pipe Headwall\I-2513AA-W-I\_2C-4.dgn  
 1/23/2024 11:03:26 AM