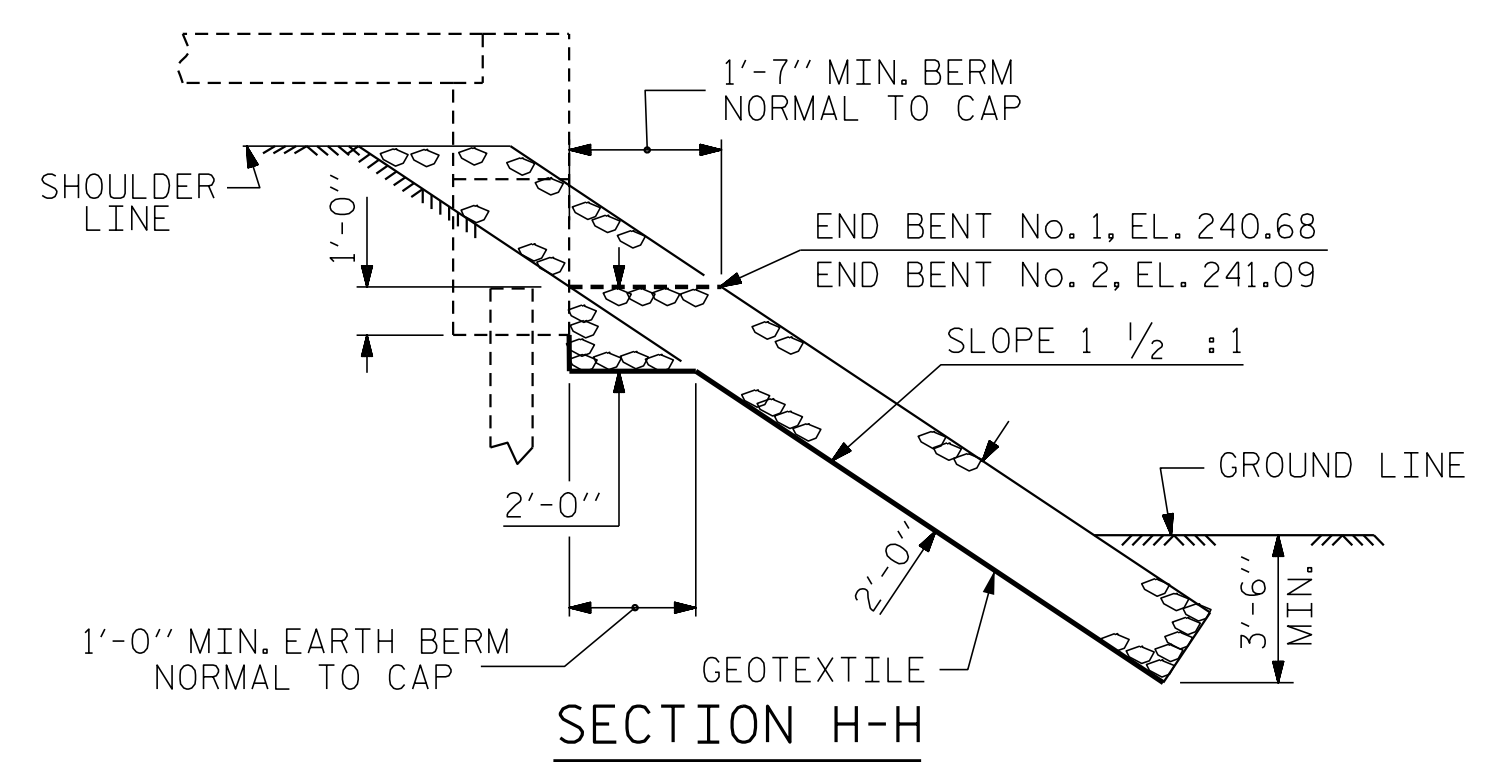


ESTIMATED QUANTITIES		
BRIDGE @ STA. 18+07.50 -L-	RIP RAP CLASS II (2'-0" THICK)	GEOTEXTILE FOR DRAINAGE
	TONS	SQUARE YARDS
END BENT 1	392	435
END BENT 2	366	406

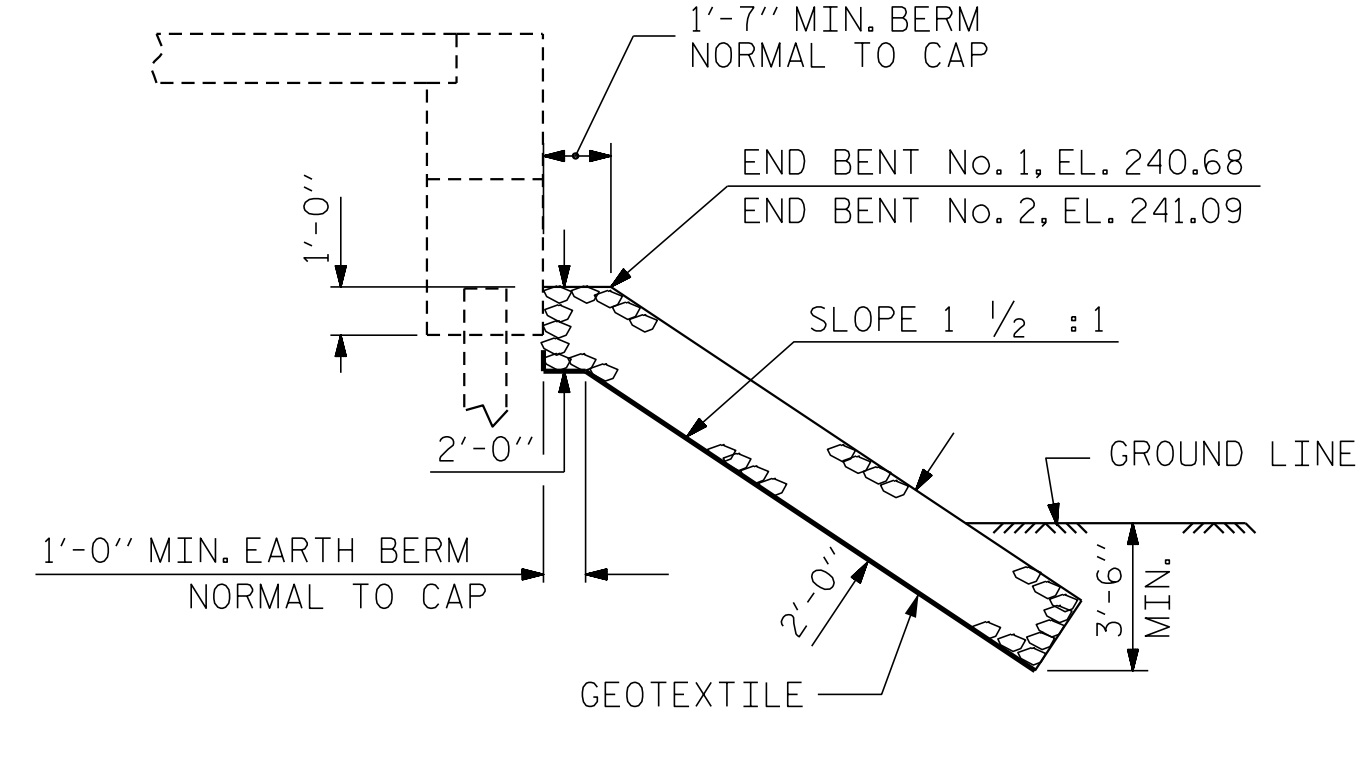
AT END BENT No. 1

PLAN OF RIP RAP

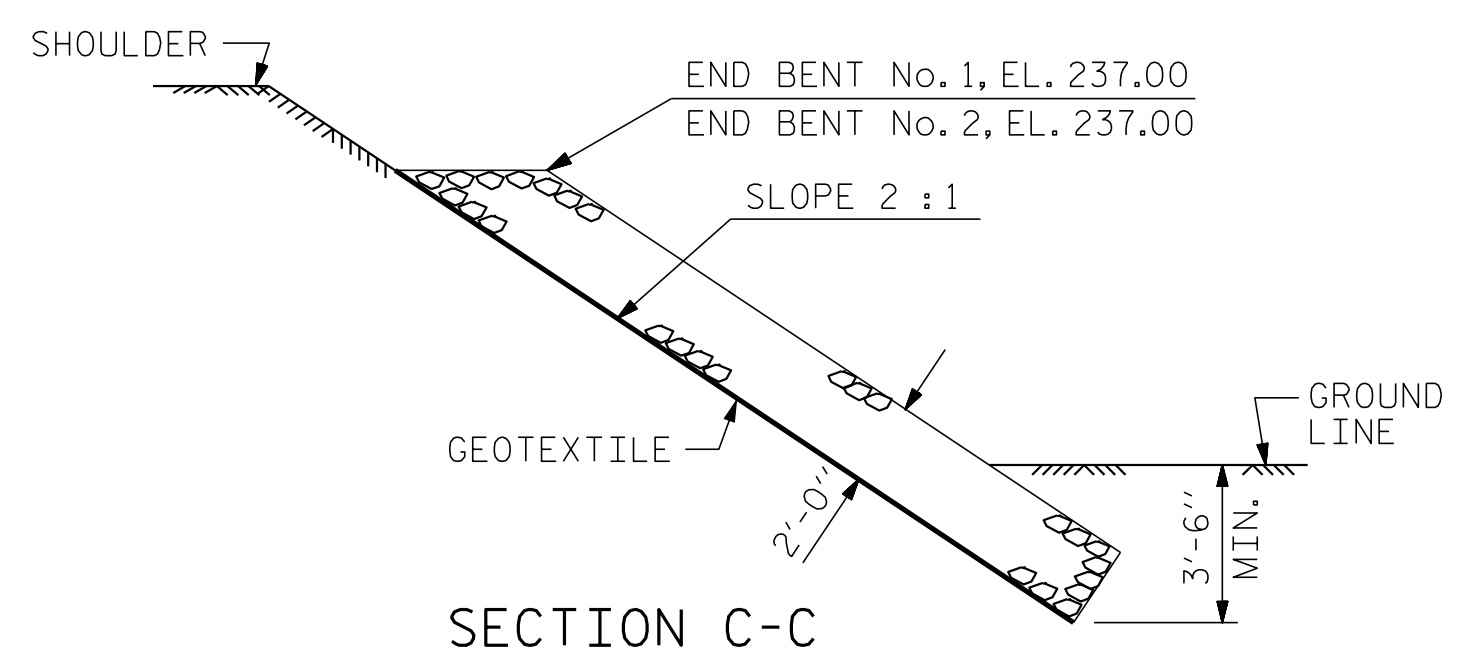
AT END BENT No. 2



SECTION H-H



SECTION C-C



SECTION C-C

PROJECT NO. BR-0062  
ANSON COUNTY  
 STATION: 18+07.50 -L-

P:\2020\20130.01\_BR-0062\Structures\DWG\BR-0062\_SD\_RR\_0.300 14.dgn  
 1/19/2024 9:46:02 AM

ASSEMBLED BY : J. PENDERGRAFT	DATE : 11-22
CHECKED BY : J. DILWORTH	DATE : 11-22
DRAWN BY : REK 1/84	REV. 10/1/11 MAA/GM
CHECKED BY : RDU 1/84	REV. 12/21/11 MAA/GM
	REV. 12/17 MAA/THC

ENGINEER OF RECORD  
 1/22/2024

Designed by:  
 Gregory M. Gulland  
 WETHERILL ENGINEERING

1223 Jones Franklin Rd.  
 Raleigh, N.C. 27606  
 Bus: 919 851 8077  
 Fax: 919 851 8107  
 LICENSE NO. F-0377

STATE OF NORTH CAROLINA  
 DEPARTMENT OF TRANSPORTATION  
 RALEIGH

STANDARD  
 RIP RAP DETAILS

REVISIONS					
NO.	BY:	DATE:	NO.	BY:	DATE:
1			3		
2			4		

SHEET NO. S-34  
 TOTAL SHEETS 35

DOCUMENT NOT CONSIDERED FINAL  
 UNLESS ALL SIGNATURES COMPLETED