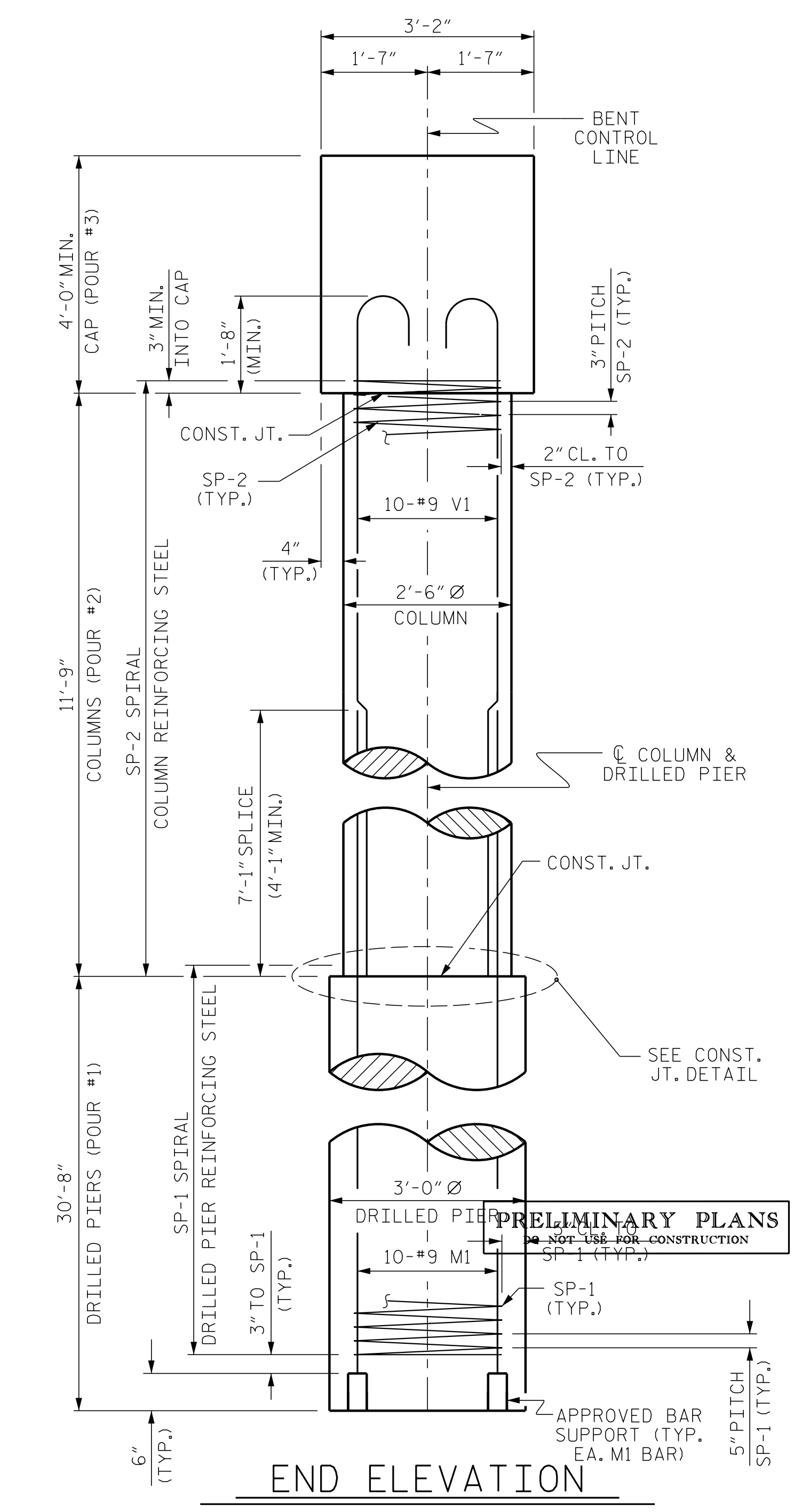
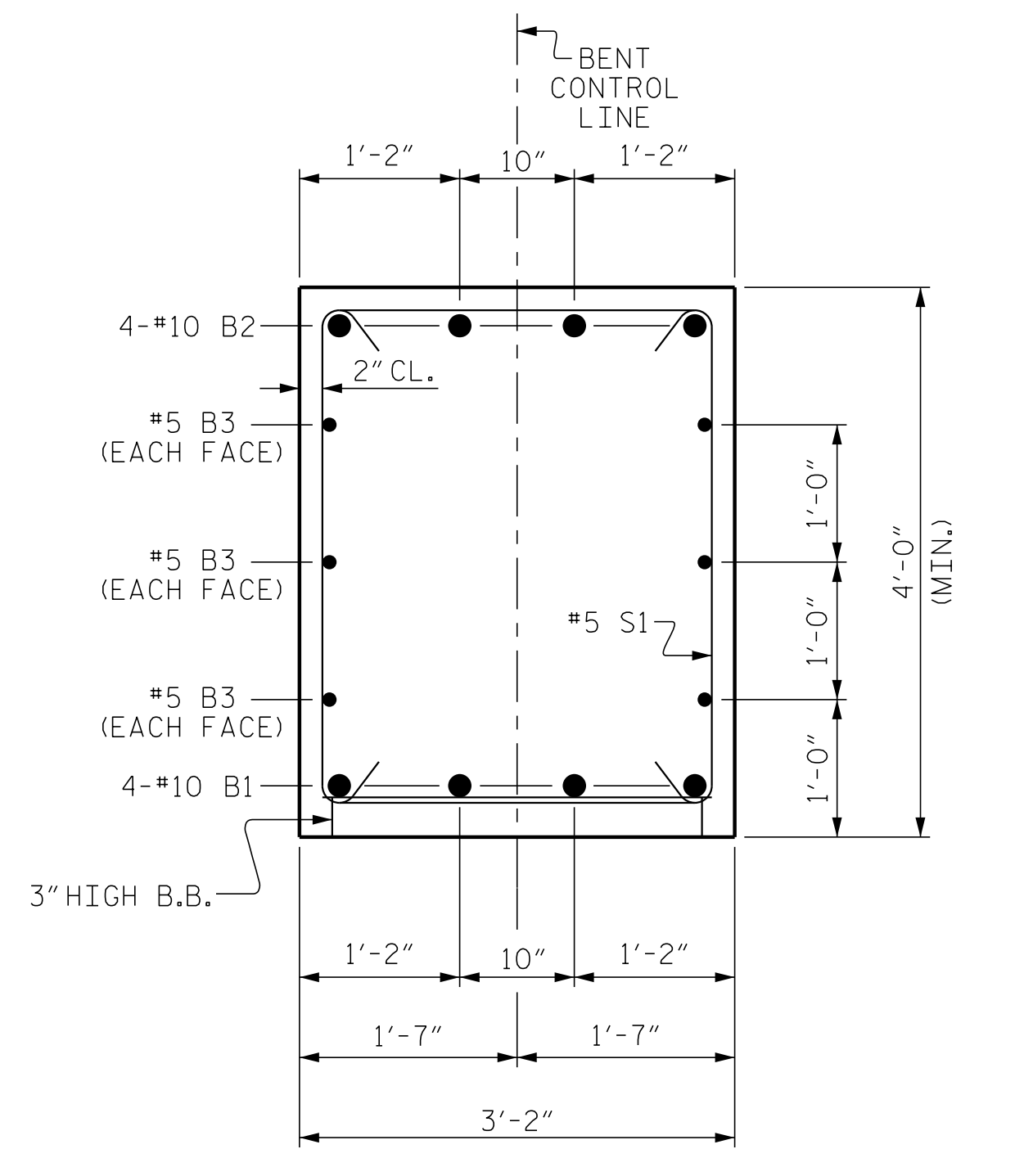


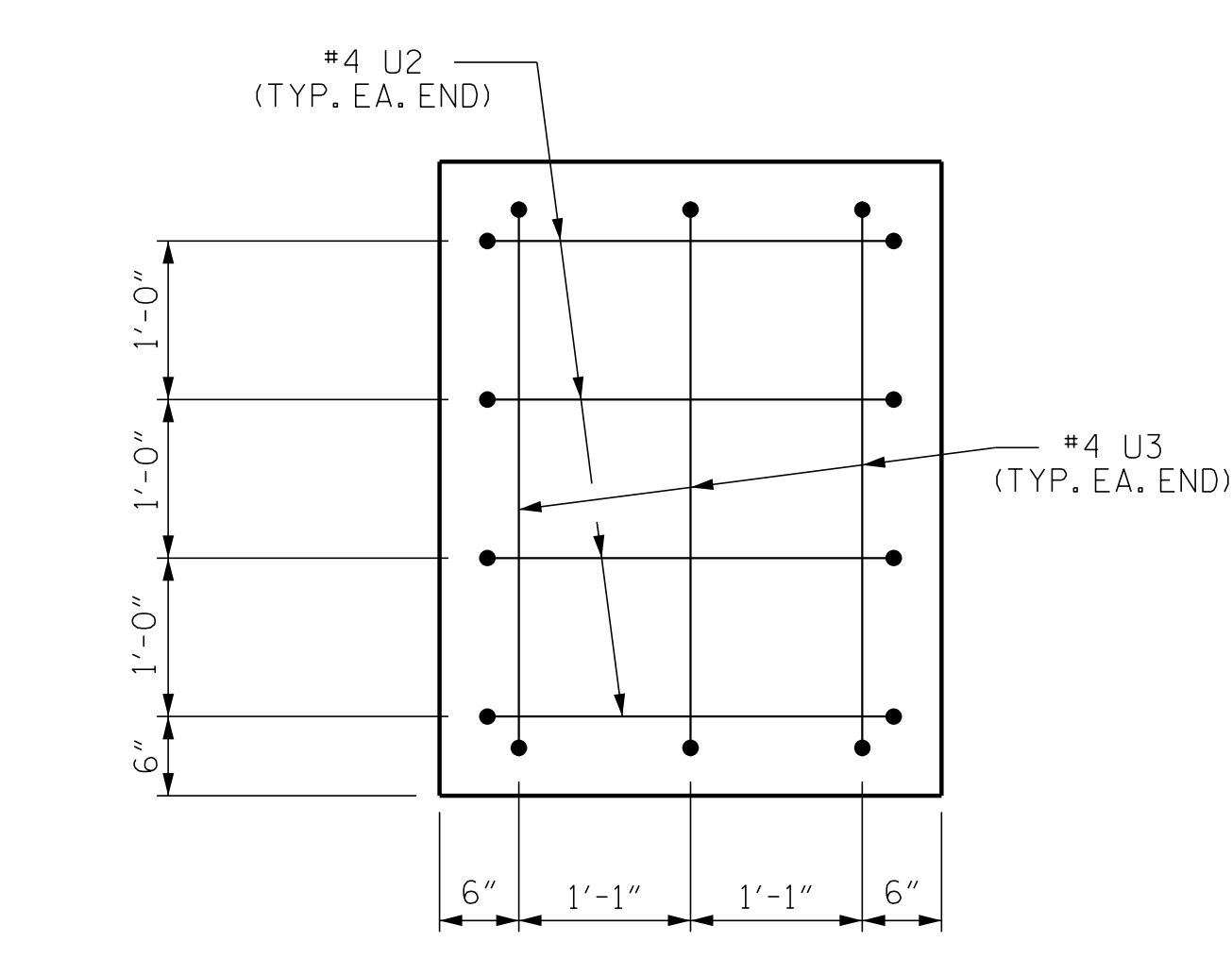
PLAN OF DRILLED PIERS & COLUMNS



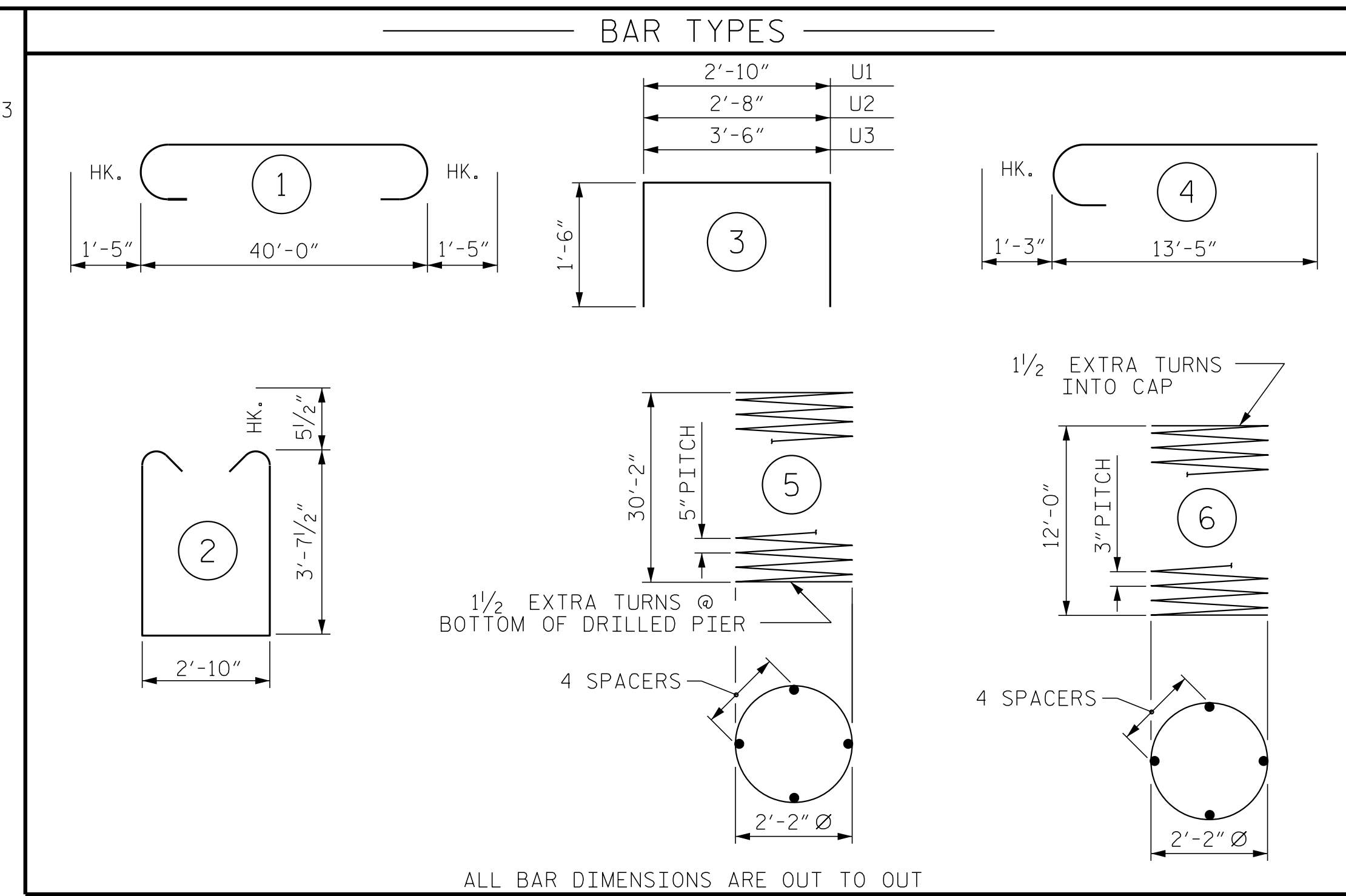
END ELEVATION



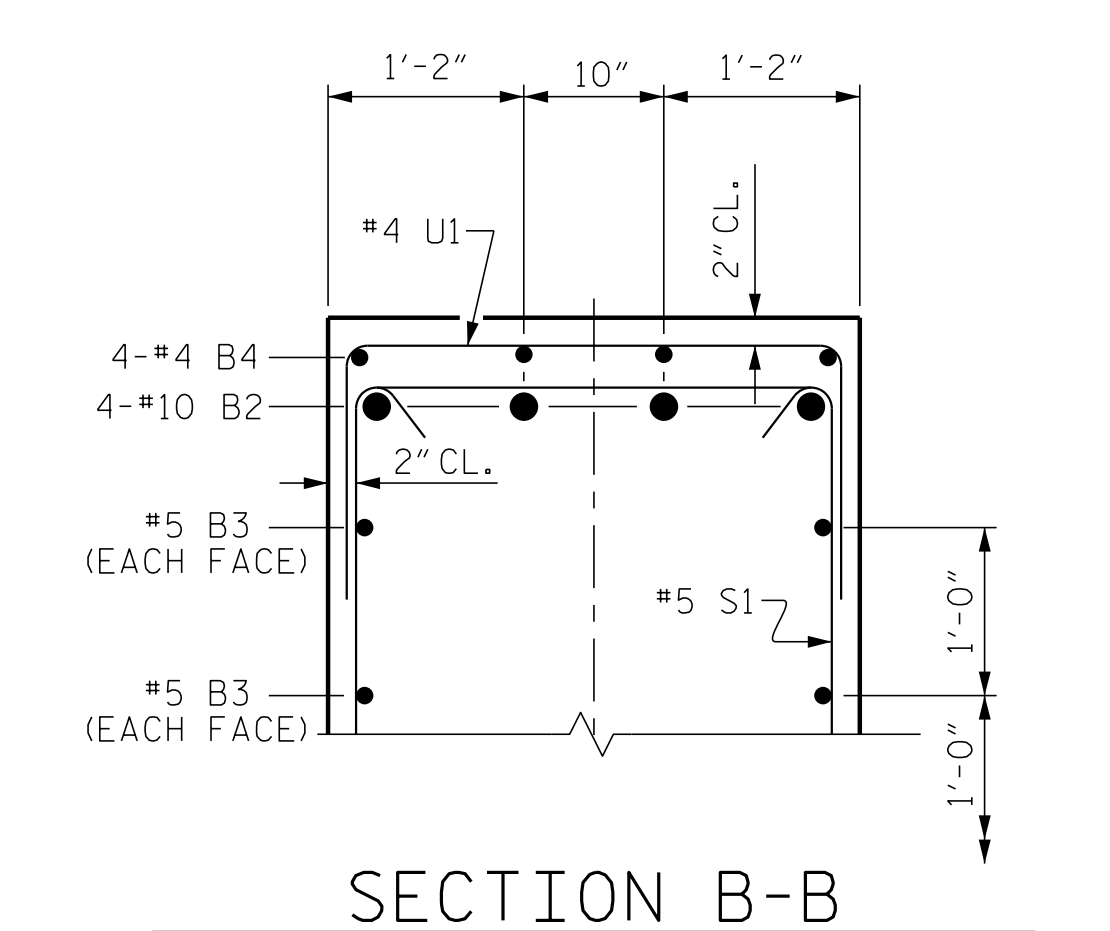
SECTION A-A



END OF CAP VIEW (TYPICAL BOTH ENDS)



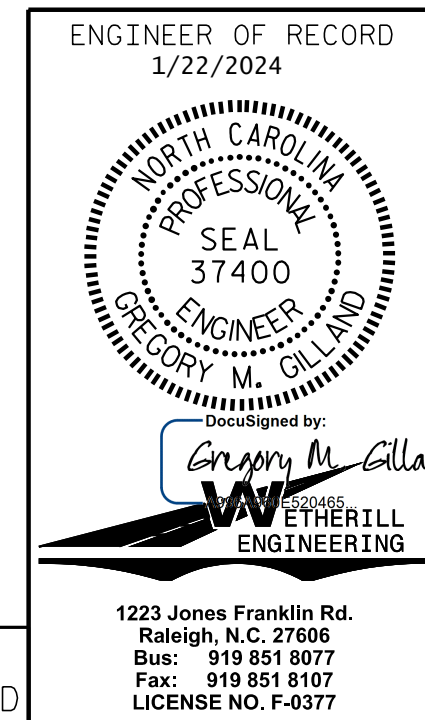
CONSTRUCTION JOINT DETAIL



SECTION B-B

BILL OF MATERIAL					
BENT No. 2					
BAR	NO.	SIZE	TYPE	LENGTH	WEIGHT
B1	4	#10	STR	40'-0"	688
B2	4	#10	1	42'-10"	737
B3	6	#5	STR	40'-2"	251
B4	4	#4	STR	3'-8"	10
M1	30	#9	STR	37'-3"	3,800
S1	42	#5	2	11'-0"	482
U1	36	#4	3	5'-10"	140
U2	8	#4	3	5'-8"	30
U3	6	#4	3	6'-6"	26
V1	30	#9	4	14'-8"	1,496
REINFORCING STEEL					7,660 LBS.
SP-1	3	*	5	492'-7"	1,541
SP-2	3	**	6	330'-9"	663
SPIRAL COLUMN REINFORCING STEEL					2,204 LBS.
* THE SP-1 SPIRAL REINFORCING STEEL SHALL BE W31 OR D-31 COLD DRAWN WIRE OR #5 PLAIN OR DEFORMED BAR					
** THE SP-2 SPIRAL REINFORCING STEEL SHALL BE W20 OR D-20 COLD DRAWN WIRE OR #4 PLAIN OR DEFORMED BAR					
CLASS A CONCRETE BREAKDOWN					
POUR #2 (COLUMNS)					6.4 C.Y.
POUR #3 (CAP)					19.6 C.Y.
TOTAL CLASS A CONCRETE					26.0 C.Y.

PROJECT NO. BR-0062
 ANSON COUNTY
 STATION: 18+07.50 -L-
 SHEET 2 OF 2



STATE OF NORTH CAROLINA DEPARTMENT OF TRANSPORTATION RALEIGH					
SUBSTRUCTURE BENT No. 2					
REVISIONS					
NO.	BY:	DATE:	NO.	BY:	DATE:
1			3		
2			4		

PA:2020130.01_BR-0062_Structures\DCM\BR-0062_SD_BT_0300 14.dgn
 1/19/2024 9:40:36 AM

DRAWN BY: G. GILLAND DATE: 10-23
 CHECKED BY: J. DILWORTH DATE: 10-23

DOCUMENT NOT CONSIDERED FINAL
 UNLESS ALL SIGNATURES COMPLETED

1223 Jones Franklin Rd.
 Raleigh, N.C. 27606
 Bus: 919 851 8077
 Fax: 919 851 8107
 LICENSE NO. F-0377

SHEET NO.
 S-30
 TOTAL SHEETS
 35