

**NOTES**

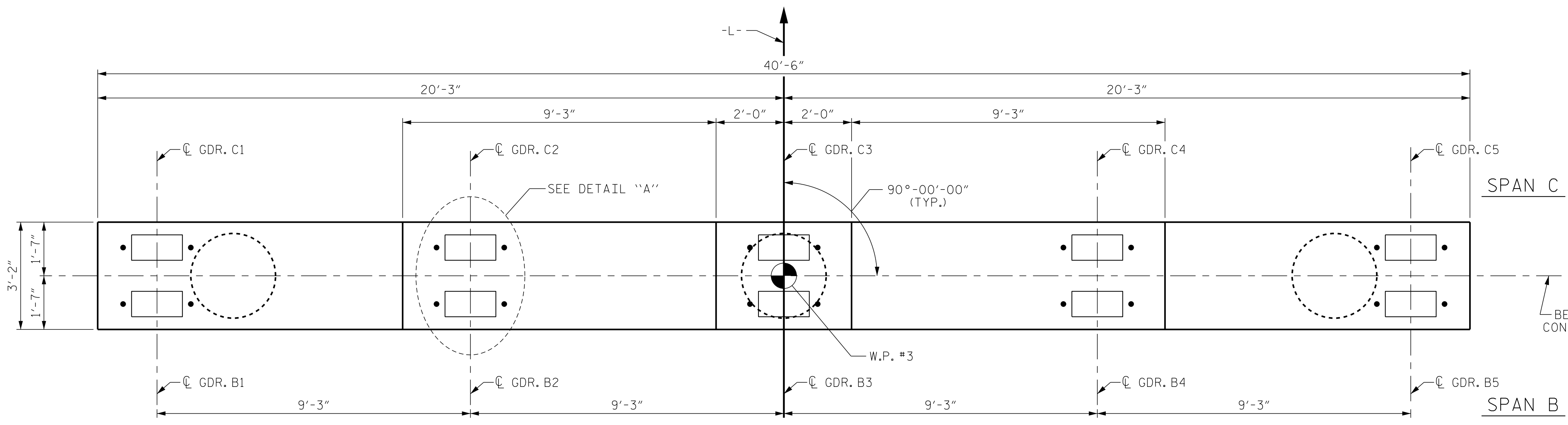
STIRRUPS IN CAP MAY BE SHIFTED AS NECESSARY TO CLEAR ANCHOR BOLTS.

HOOKS ON V1 BARS MAY BE TURNED AS NECESSARY FOR PLACING REINFORCING STEEL.

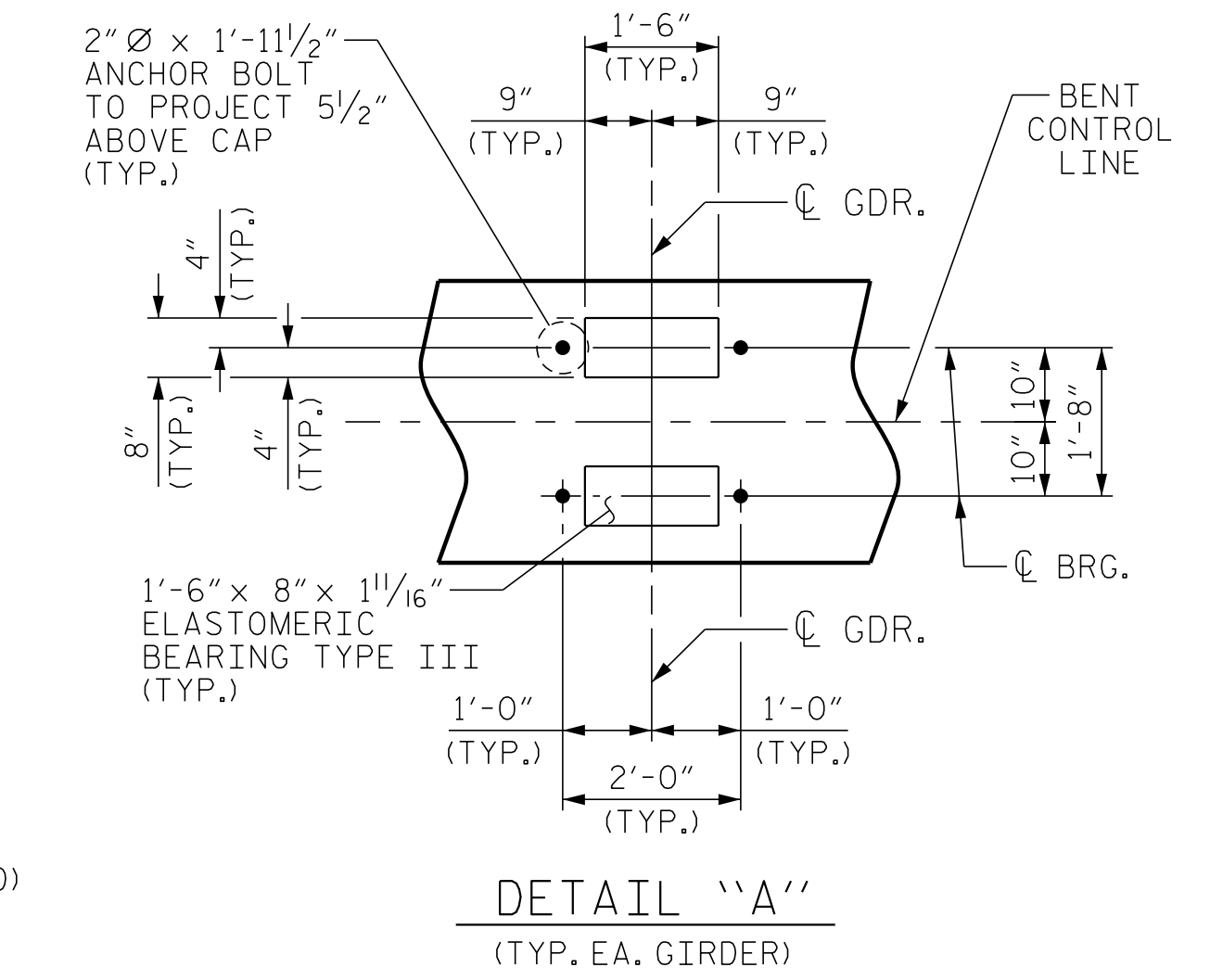
ALL STEEL IN THE DRILLED PIERS IS INCLUDED IN THE PAY ITEMS FOR "REINFORCING STEEL" AND "SPIRAL COLUMN REINFORCING STEEL."

THE CONTRACTOR'S ATTENTION IS CALLED TO THE FACT THAT THE LONGITUDINAL REINFORCEMENT FOR DRILLED PIERS IS DETAILED WITH 3 FEET OF EXTRA LENGTH.

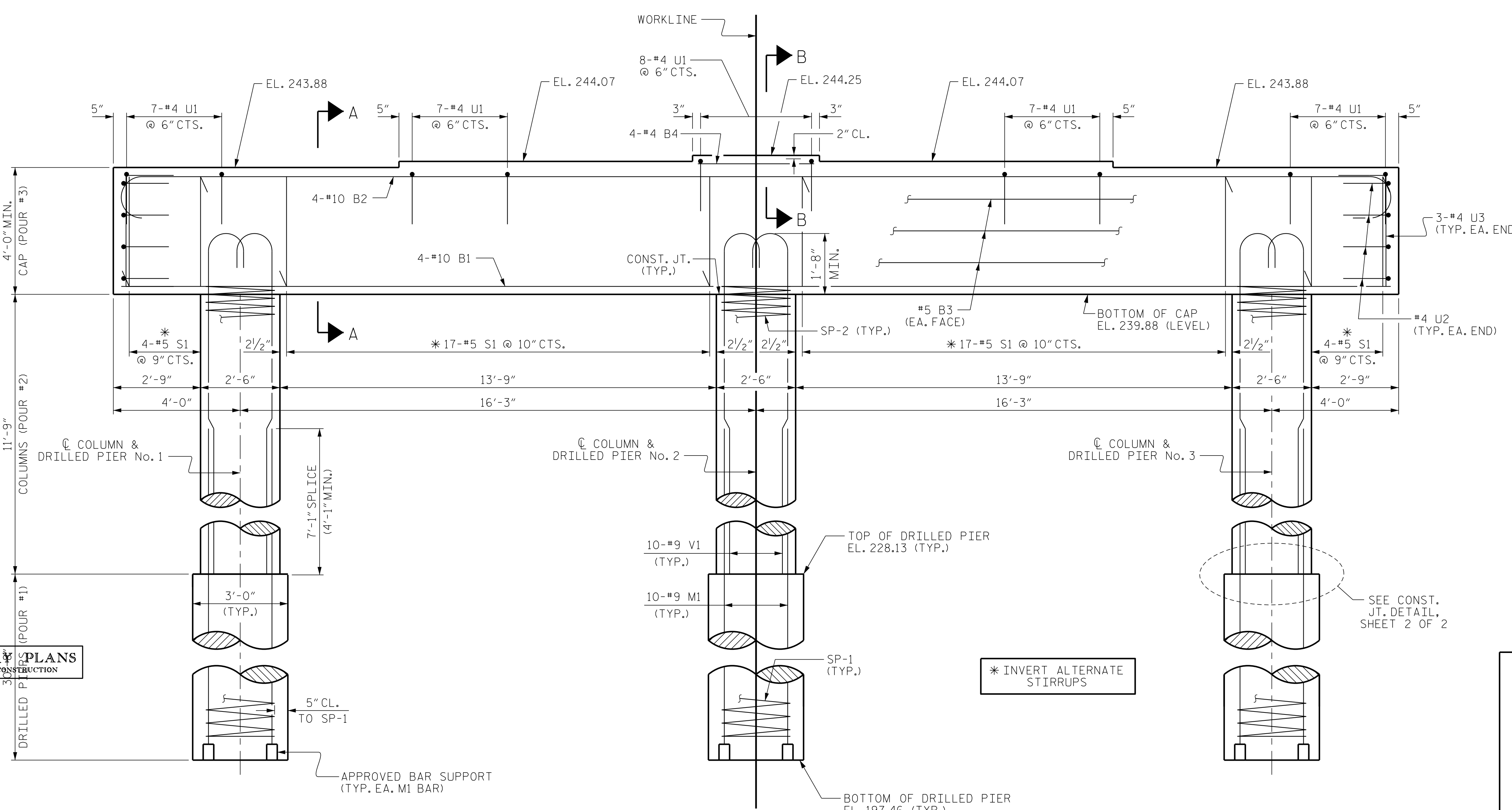
SPLICING OF THE LONGITUDINAL BARS IN THE DRILLED PIER WILL NOT BE PERMITTED.



**PLAN**

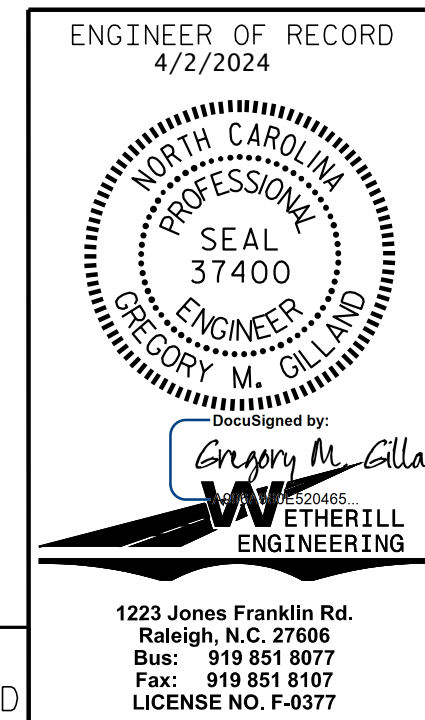


**DETAIL "A"**  
(TYP. EA. GIRDER)



**ELEVATION**

PROJECT NO. BR-0062  
ANSON COUNTY  
 STATION: 18+07.50 -L-  
 SHEET 1 OF 2



STATE OF NORTH CAROLINA DEPARTMENT OF TRANSPORTATION RALEIGH					
SUBSTRUCTURE BENT No. 2					
REVISIONS					
NO.	BY:	DATE:	NO.	BY:	DATE:
1			3		
2			4		
					SHEET NO. S-29
					TOTAL SHEETS 35

P:\2020\20130.01\_BR-0062\Structures\DWG\BR-0062-SD\_BT\_0300 14.dgn  
 4/2/2024 3:14:02 PM

**PRELIMINARY PLANS**  
DO NOT USE FOR CONSTRUCTION

DRAWN BY: G. GILLAND DATE: 10-23  
 CHECKED BY: J. DILWORTH DATE: 10-23

DOCUMENT NOT CONSIDERED FINAL  
UNLESS ALL SIGNATURES COMPLETED

1223 Jones Franklin Rd.  
Raleigh, N.C. 27606  
Bus: 919 851 8077  
Fax: 919 851 8107  
LICENSE NO. F-0377