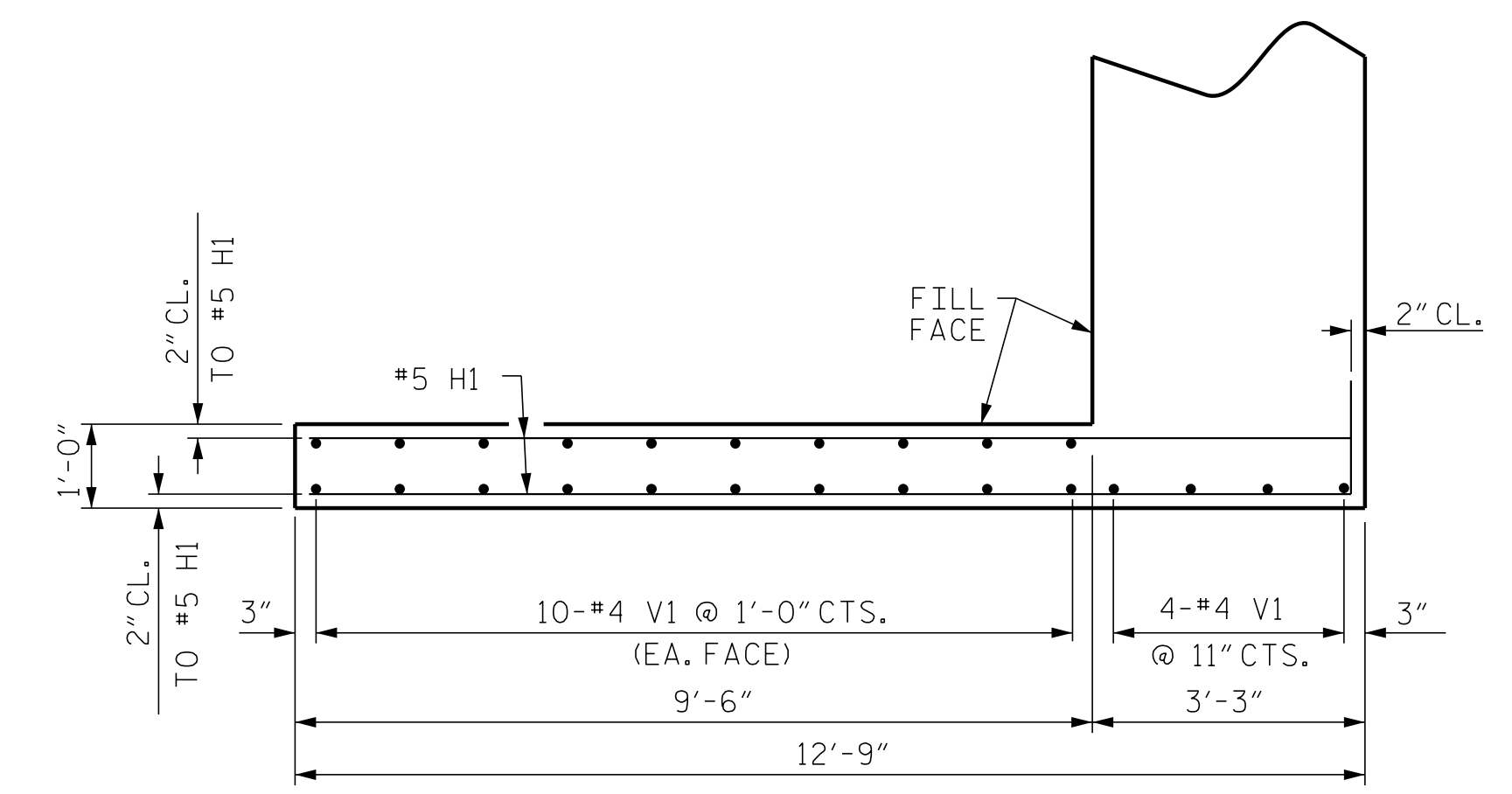
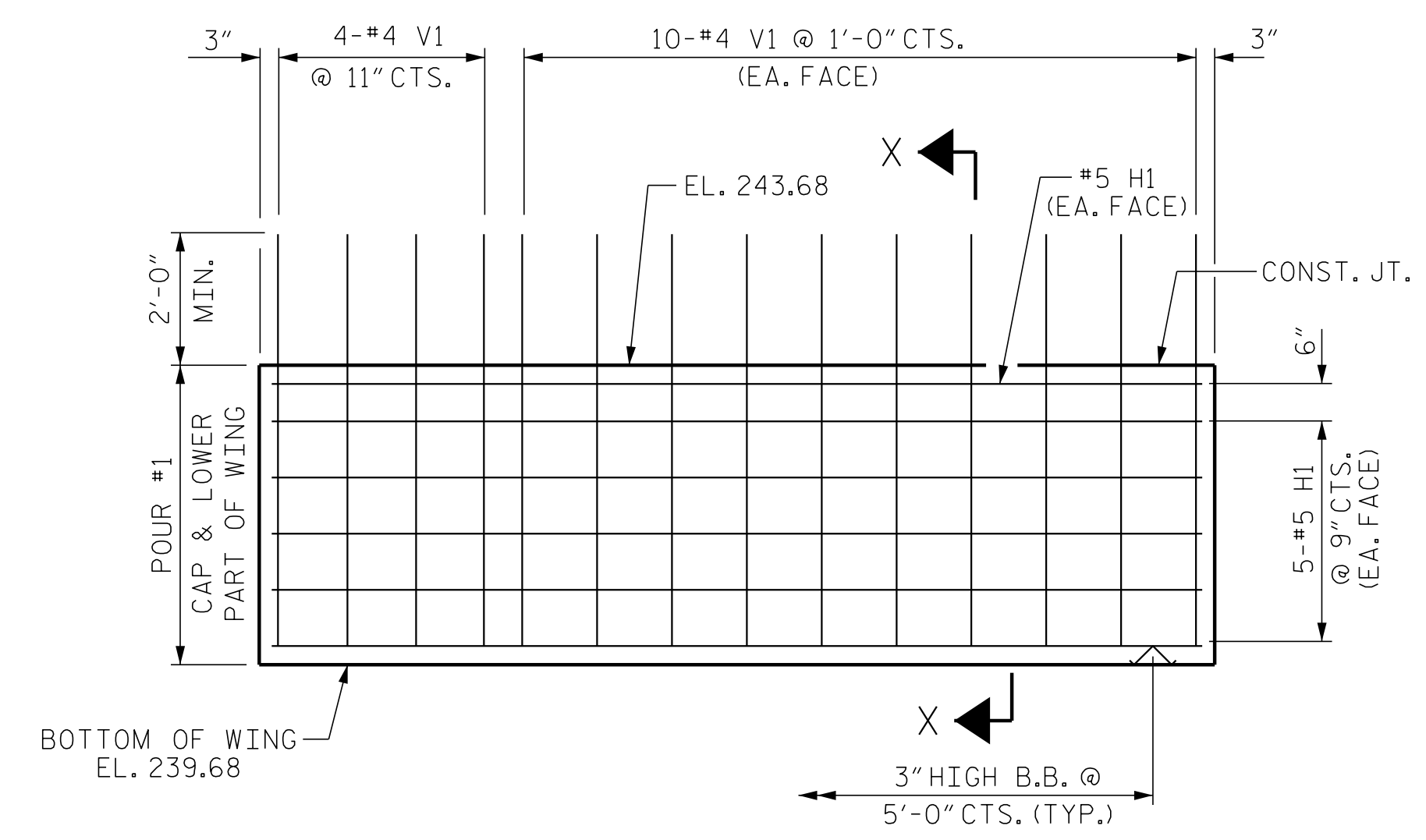


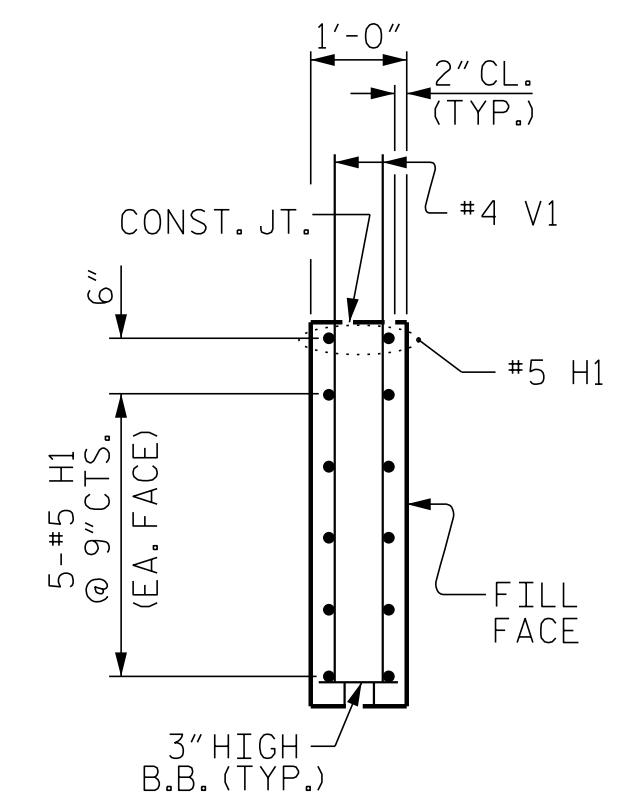
PLAN OF WING - W1



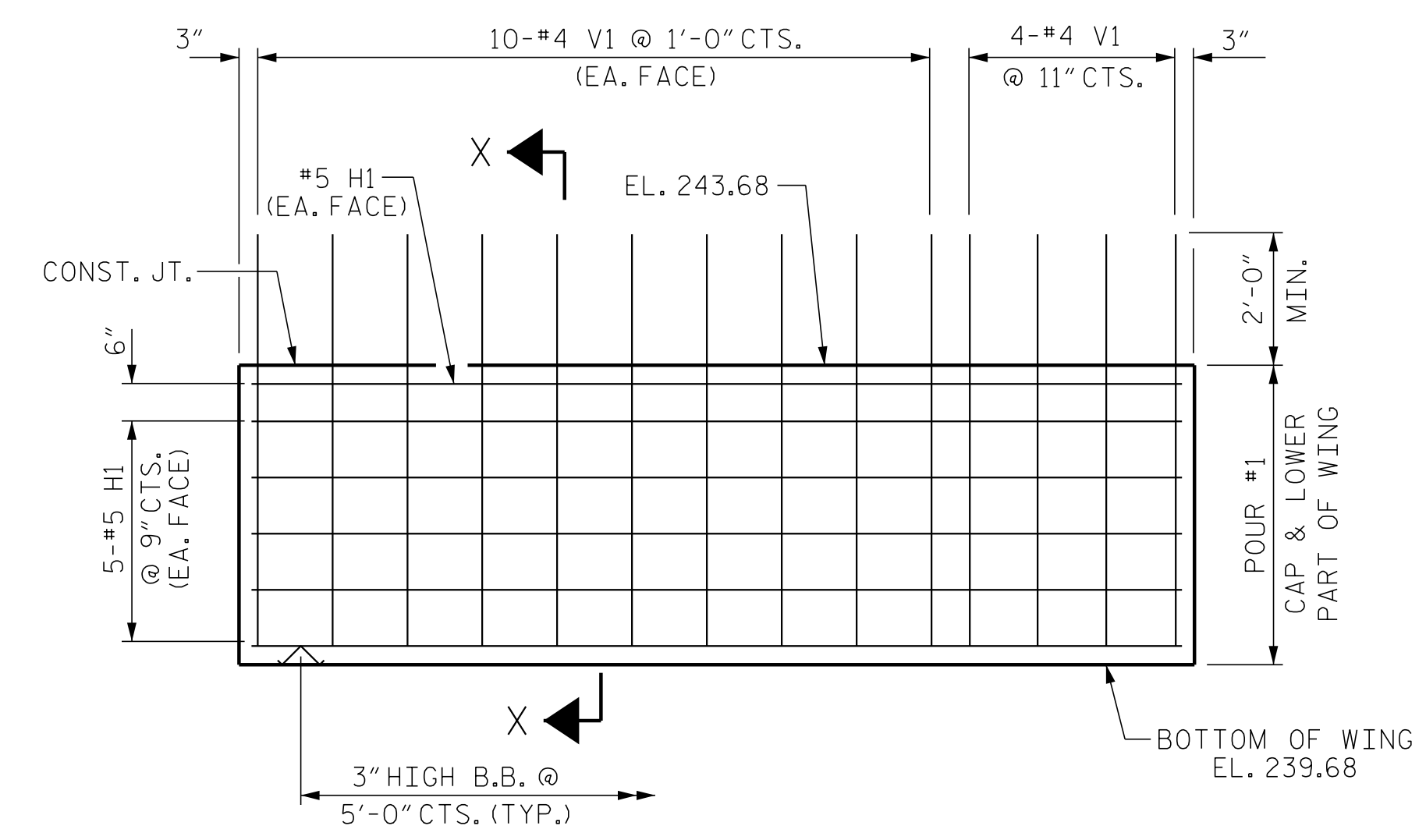
PLAN OF WING - W2



ELEVATION OF WING - W1

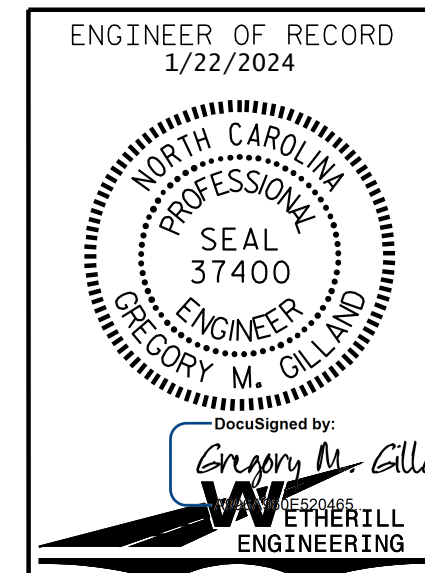


SECTION X-X



ELEVATION OF WING - W2

PROJECT NO. BR-0062  
ANSON COUNTY  
 STATION: 18+07.50 -L-  
 SHEET 2 OF 3



STATE OF NORTH CAROLINA  
 DEPARTMENT OF TRANSPORTATION  
 RALEIGH  
 SUBSTRUCTURE  
 END BENT No. 1

1223 Jones Franklin Rd.  
 Raleigh, N.C. 27606  
 Bus: 919 851 8077  
 Fax: 919 851 8107  
 LICENSE NO. F-0377

REVISIONS						SHEET NO.
NO.	BY:	DATE:	NO.	BY:	DATE:	S-25
1			3			TOTAL SHEETS
2			4			35

DOCUMENT NOT CONSIDERED FINAL  
 UNLESS ALL SIGNATURES COMPLETED

PA:2020\20130.01\_BR-0062\Structures\DWG\BR-0062\_SD\_EB\_0300 14.dgn  
 1/19/2024 9:33:57 AM

DRAWN BY: J. PENDERGRAFT/DAH DATE: 5/23  
 CHECKED BY: G. GILLAND DATE: 10/23