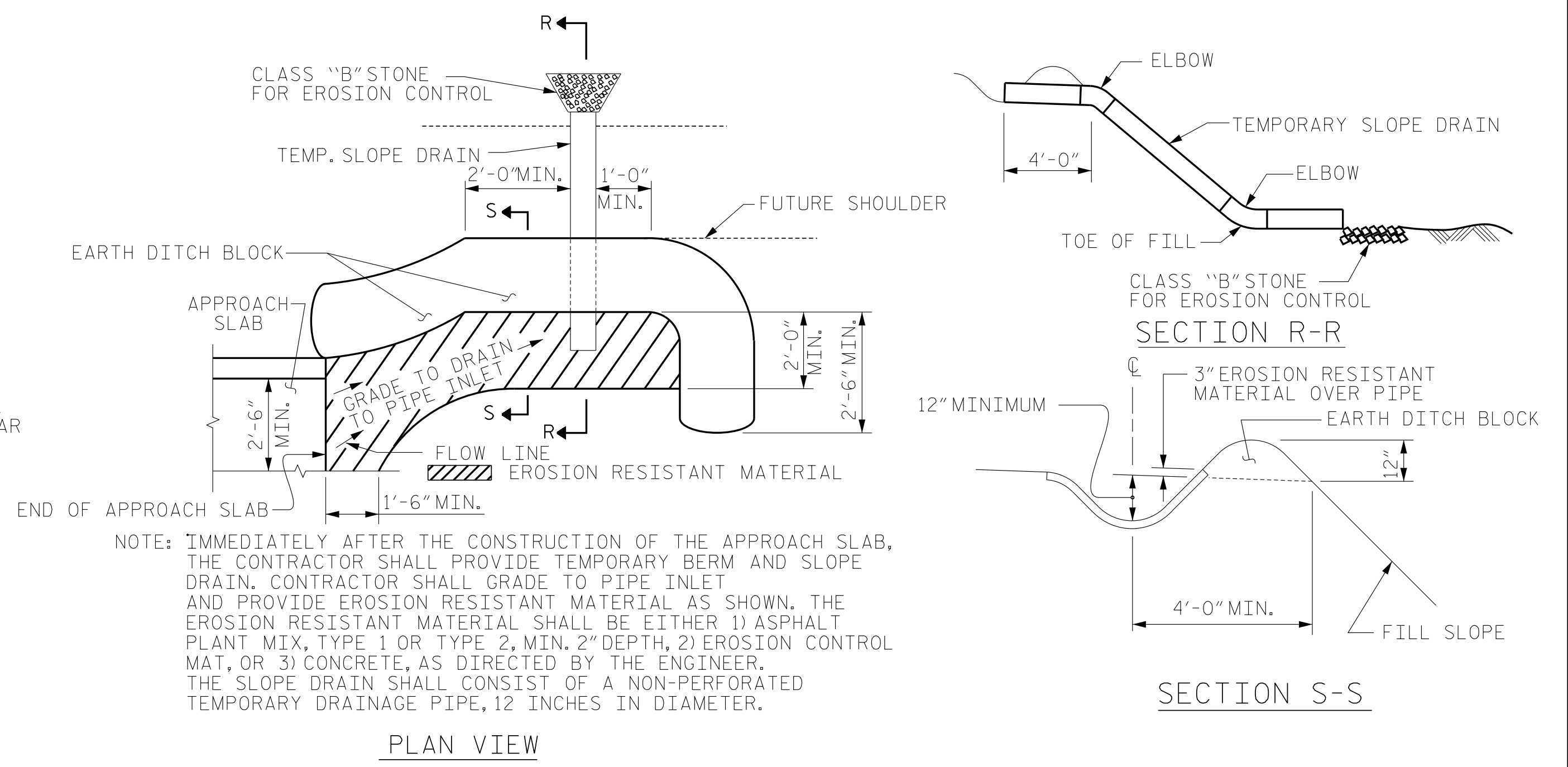
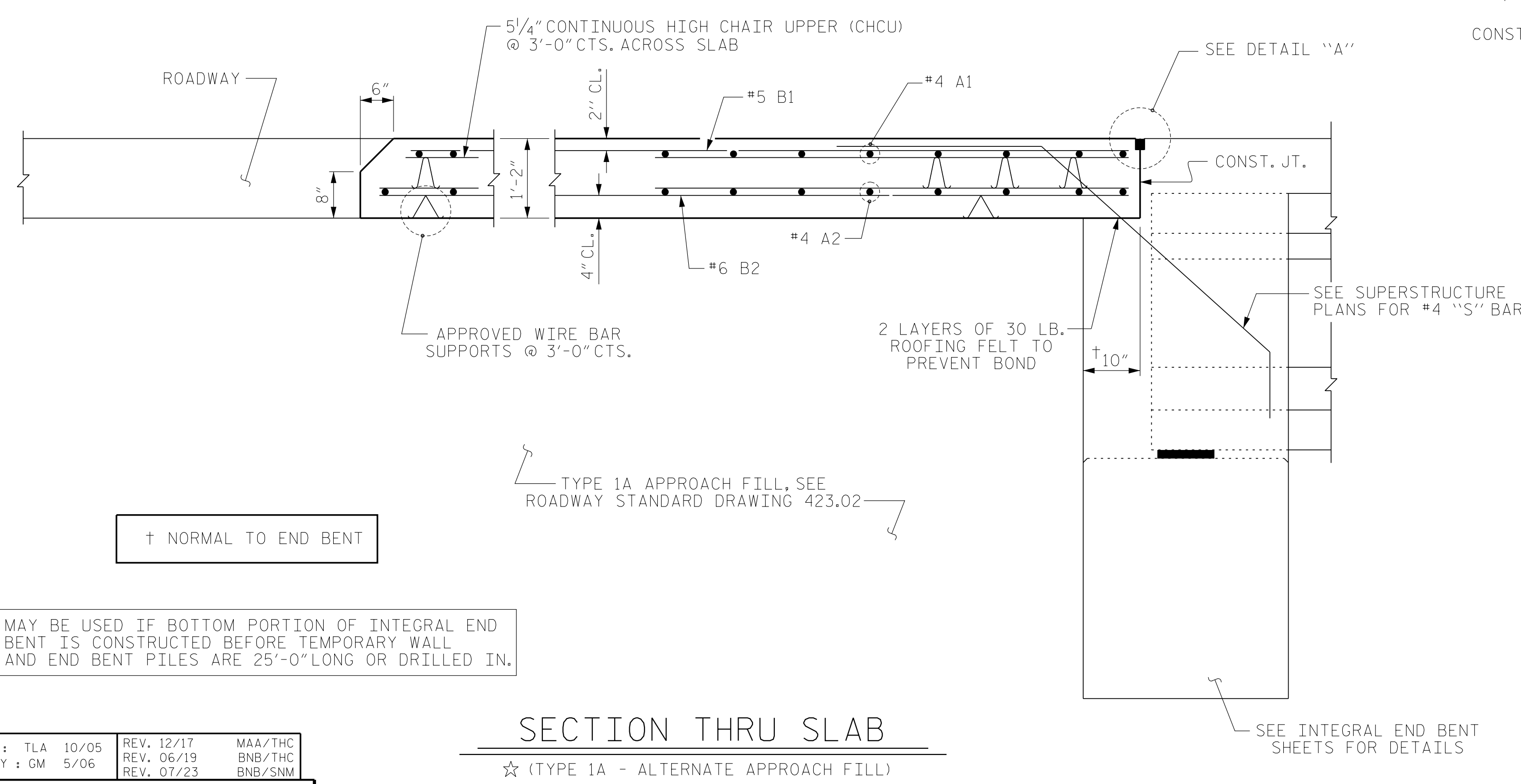


† NORMAL TO END BENT

SECTION THRU SLAB
(TYPE 1A - ALTERNATE APPROACH FILL)



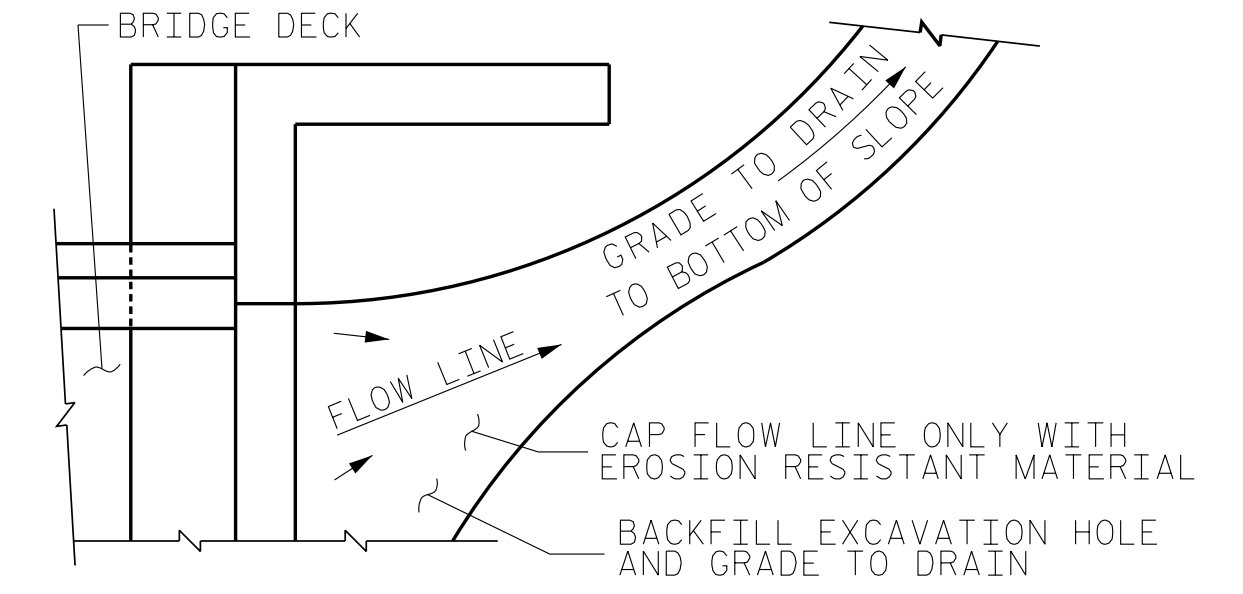
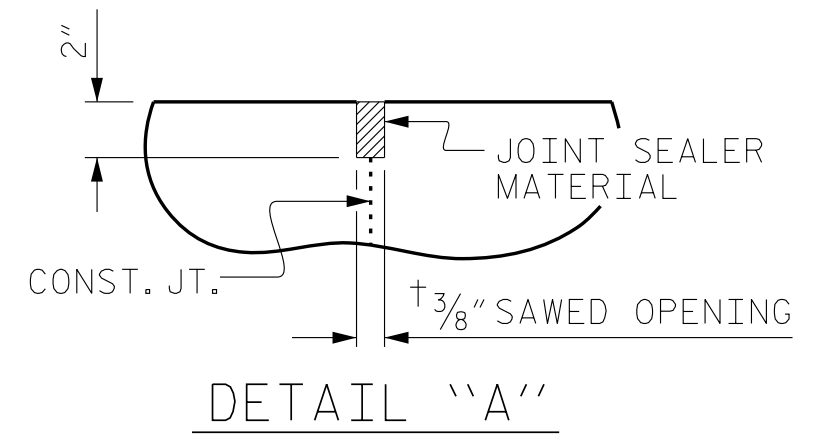
TEMPORARY BERM AND SLOPE DRAIN DETAILS
(TO BE USED WHEN SHOULDER BERM GUTTER IS REQUIRED)



† NORMAL TO END BENT

SECTION THRU SLAB
(TYPE 1A - ALTERNATE APPROACH FILL)

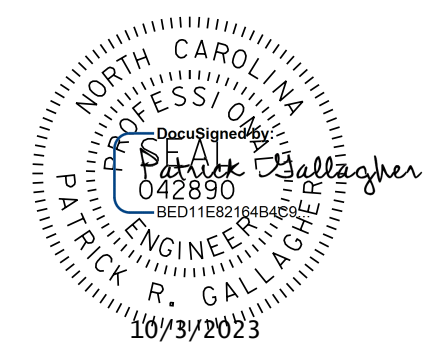
☆ MAY BE USED IF BOTTOM PORTION OF INTEGRAL END BENT IS CONSTRUCTED BEFORE TEMPORARY WALL AND END BENT PILES ARE 25'-0" LONG OR DRILLED IN.



NOTE:
IF THE APPROACH SLAB IS NOT CONSTRUCTED IMMEDIATELY AFTER THE BACKFILLING OF THE END BENT EXCAVATION, GRADE TO DRAIN TO THE BOTTOM OF THE SLOPE AND PROVIDE EROSION RESISTANT MATERIAL, SUCH AS FIBERGLASS ROVING OR AS DIRECTED BY THE ENGINEER TO PREVENT SOIL EROSION AND TO PROTECT THE AREA ADJACENT TO THE STRUCTURE. THE CONTRACTOR WILL BE REQUIRED TO REMOVE THESE MATERIALS PRIOR TO CONSTRUCTION OF THE APPROACH SLAB.

TEMPORARY DRAINAGE DETAIL

PROJECT NO. B-4926
LENOIR COUNTY
STATION: 35+00.00 -L-
SHEET 2 OF 2



STATE OF NORTH CAROLINA
DEPARTMENT OF TRANSPORTATION
RALEIGH
STANDARD
BRIDGE APPROACH
SLAB DETAILS

DRAWN BY : TLA	10/05	REV. 12/17	MAA/THC
CHECKED BY : GM	5/06	REV. 06/19	BNB/THC
		REV. 07/23	BNB/SNM
DWN. BY: WDC	DATE: 03/2023		
CHKD. BY: PRG	DATE: 03/2023		
DES. EGR. OF RECORD: PRG	DATE: 03/2023		

**DOCUMENT NOT CONSIDERED FINAL
UNLESS ALL SIGNATURES COMPLETED**

Johnson, Mirmiran, & Thompson Inc.
4700 Falls of Neuse Rd, Suite 100,
Raleigh, NC, 27609
License No: C-3097

REVISIONS						SHEET NO.
NO.	BY:	DATE:	NO.	BY:	DATE:	S2-39
1			3			TOTAL SHEETS
2			4			39