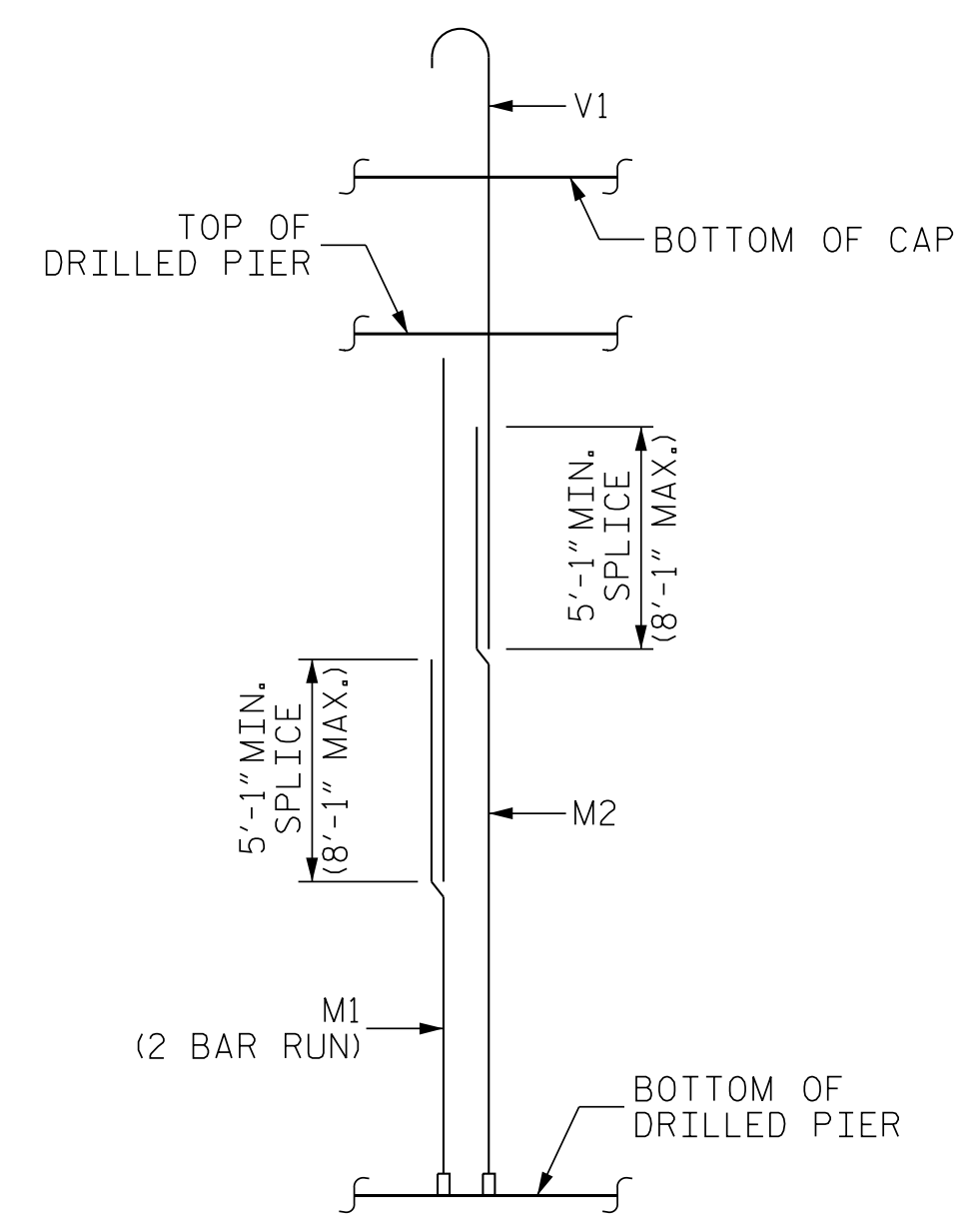


PLAN OF CAP



LONGITUDINAL REINFORCEMENT DETAIL

NOTES

STIRRUPS AND "U" BARS IN CAP MAY BE SHIFTED AS NECESSARY TO CLEAR ANCHOR BOLTS.

HOOKS ON "V" BARS MAY BE TURNED AS NECESSARY FOR PLACING REINFORCING STEEL.

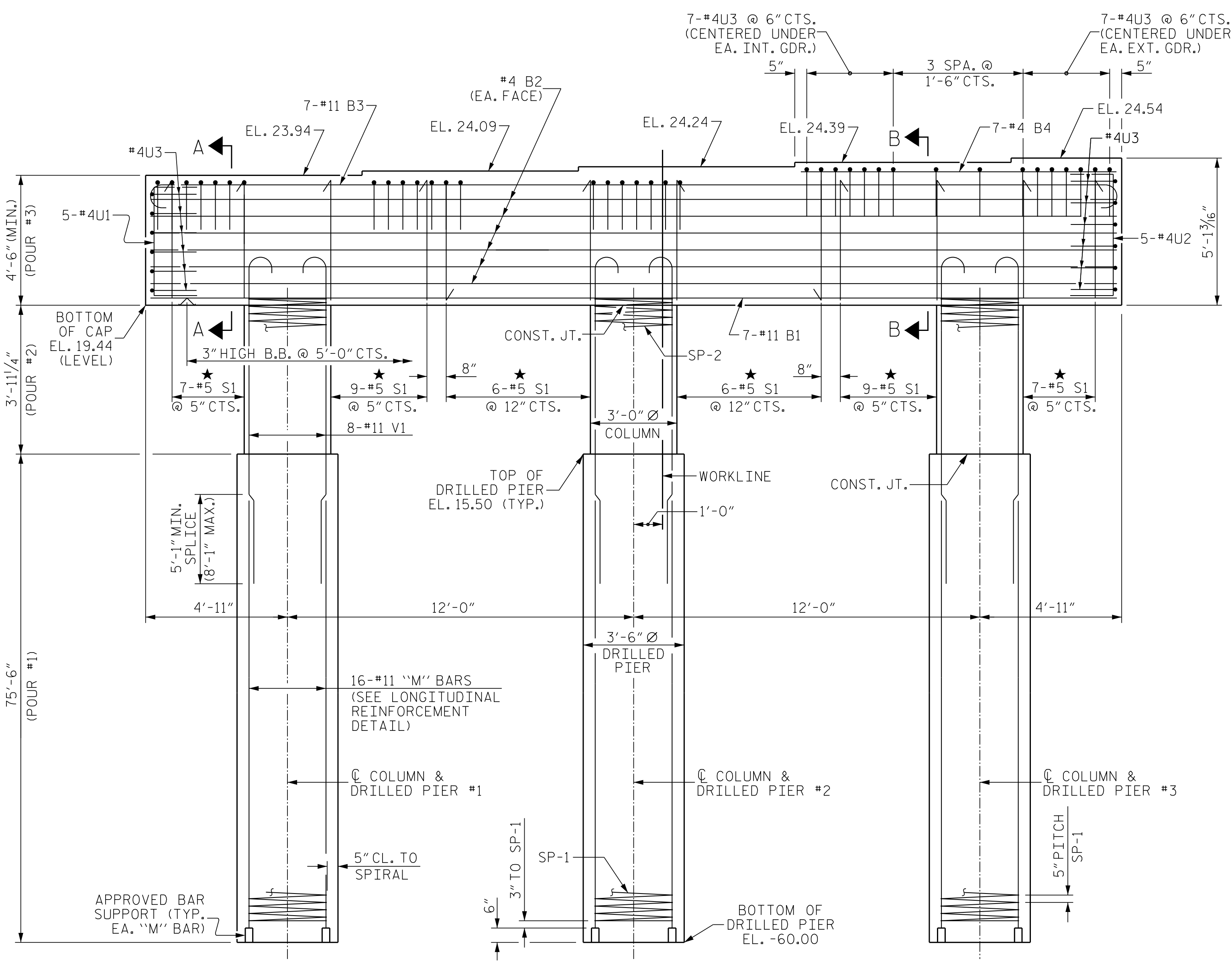
FOR DRILLED PIERS, SEE SECTION 411 OF THE STANDARD SPECIFICATIONS.

ALL STEEL IN THE DRILLED PIERS IS INCLUDED IN THE PAY ITEMS FOR "REINFORCING STEEL" AND "SPIRAL COLUMN REINFORCING STEEL."

★ INVERT ALTERNATE STIRRUPS.

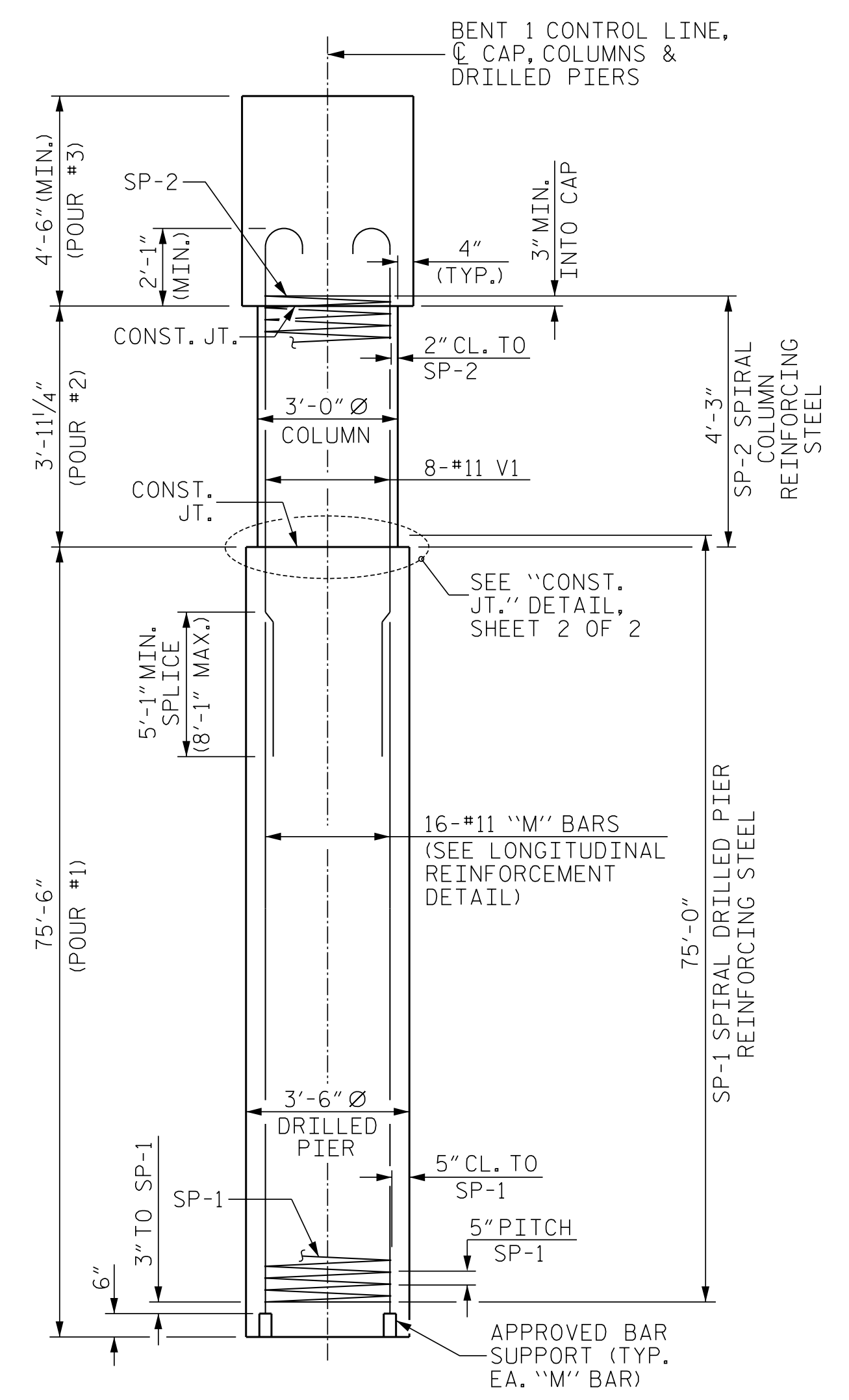
THE CONTRACTOR'S ATTENTION IS CALLED TO THE FACT THAT THE LONGITUDINAL REINFORCEMENT FOR DRILLED PIERS IS DETAILED WITH 3 FEET OF EXTRA LENGTH.

SEE SHEET 2 OF 2 FOR SECTIONS A-A AND B-B.



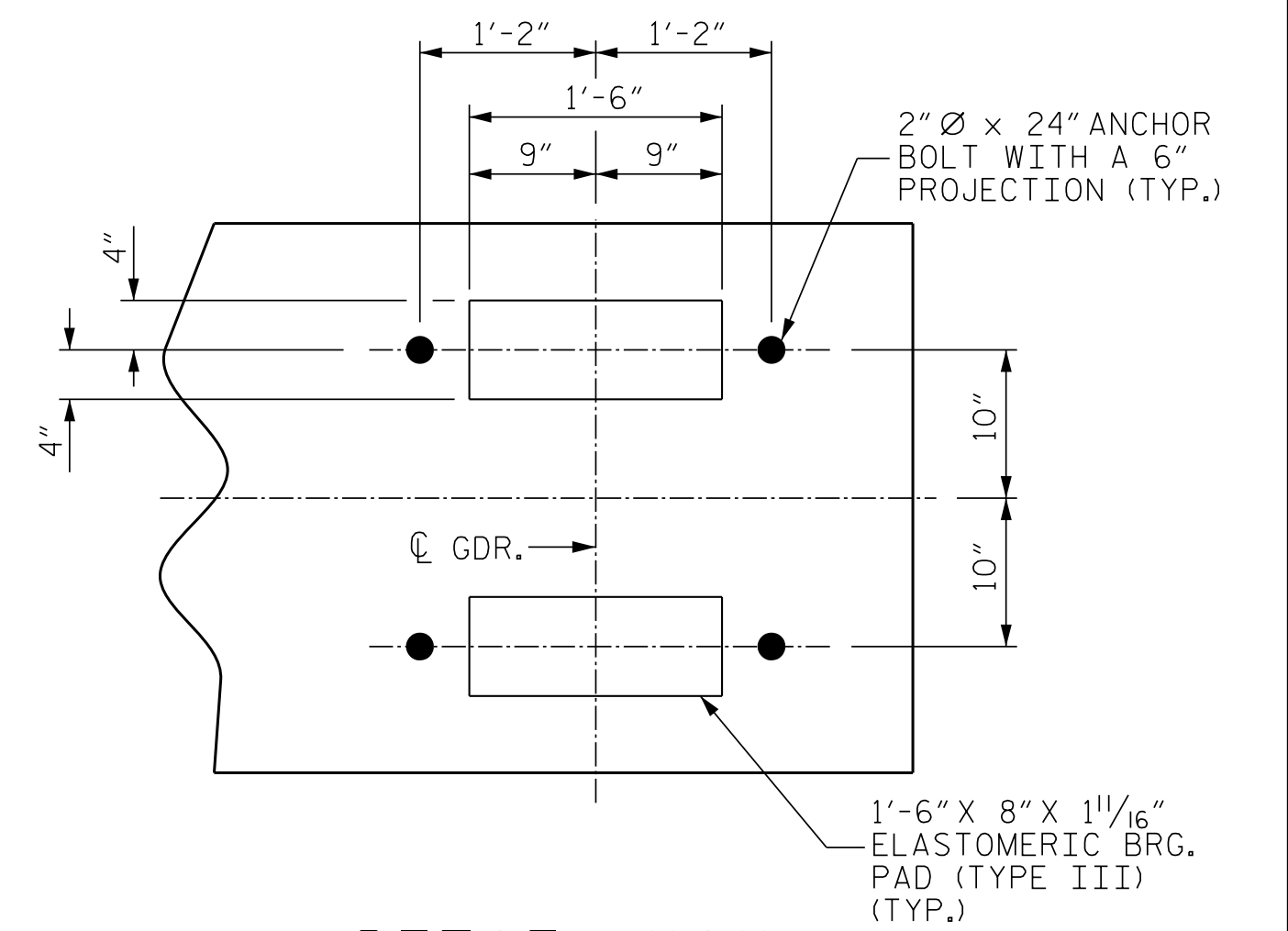
ELEVATION

REINFORCING STEEL, DIMENSIONS AND DETAILS ARE TYPICAL FOR EACH COLUMN AND DRILLED PIER



END ELEVATION

REINFORCING STEEL, DIMENSIONS AND DETAILS ARE TYPICAL FOR EACH COLUMN AND DRILLED PIER



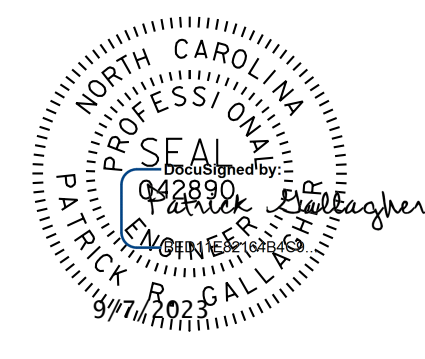
DETAIL "A"

INFORMATION SHOWN IS TYPICAL FOR EACH BEARING

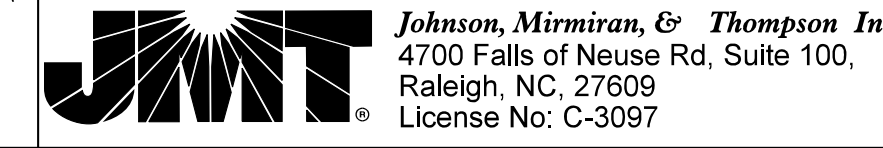
PROJECT NO. B-4926
LENOIR COUNTY
 STATION: 35+00.00 -L-
 SHEET 1 OF 2

STATE OF NORTH CAROLINA
 DEPARTMENT OF TRANSPORTATION
 RALEIGH

SUBSTRUCTURE
 BENT NO. 1



DOCUMENT NOT CONSIDERED FINAL UNLESS ALL SIGNATURES COMPLETED



REVISIONS						SHEET NO.
NO.	BY:	DATE:	NO.	BY:	DATE:	S2-30
1			3			TOTAL SHEETS
2			4			39

WDC/DPX: V:\WC\Structures\0317-01 - B-4926 Lenoir_20 & 3A\Structures\Lenoir_3A\Plans\402_059_B4926_SML_BTL_S30.dgn
 DATE: 02/24/23 PM on Wednesday, September 06, 2023
 TIME: 02:34 PM

DWN. BY: WDC DATE: 03/2023
 CHKD. BY: PRG DATE: 03/2023
 DES. EGR. OF RECORD: PRG DATE: 03/2023